

# Inventor's Guide

## Table of Contents:

Structure Subsystem	2.1
Motion Subsystem	3.1
Power Subsystem	4.1
Sensor Subsystem	5.1
Control Subsystem	6.1
Logic Subsystem	7.1
Programming Subsystem	8.1
Reference	

# Welcome!

This Inventor's Guide is provided as a tool to help you get accustomed to all the features and functionality of the VEX Robotics Design System. Included in this guide are various chapters which detail the individual subsystems involved in a basic robot. Each chapter includes a description of the components used, the concepts involved in designing and building the subsystem, and how the subsystem interacts with other subsystems.

Along with the Inventor's Guide, there are many resources available to enrich and enhance your experience with the VEX Robotics Design System. Our main portal, [www.VEXrobotics.com](http://www.VEXrobotics.com) has many resources including software, tools for educators, picture galleries of VEX robots and CAD models of our entire product line. [www.VEXrobotics.com](http://www.VEXrobotics.com) is also the official source to purchase products for the VEX Robotics Design System.

If you have any questions about the VEX Robotics Design System, or want to show off your new creations, you can visit [www.VEXforum.com](http://www.VEXforum.com), the official hub of the VEX community. Here you can network with other VEX users, and have your technical questions answered directly by the engineers who design the VEX products.

To learn more about the VEX Robotics Competition and other VEX Robotics events in your area, visit [www.robotevents.com](http://www.robotevents.com). RobotEvents.com exists to connect students, mentors, and schools in every community to a variety of successful and engaging technology-based programs. You'll find information on VEX competitions, as well as conferences and workshops in your local community and beyond.

## Getting Started

There are many different ways to get started with the VEX Robotics Design System. User skill level will determine where to begin. Here are several options:

### **Experienced Users – “Jump Right In”:**

Advanced users will want to immediately begin building their own robotic creation. The VEX Robotics Design system is a fairly intuitive system and those with some sort of experience should be able to “figure it out” as they go. With the VEX Robotics Design System it is possible to build whatever the mind can think of; sometimes it just requires a little creativity.

### **Moderate Experience – “Learn by Doing”:**

Users with only minor experience may want to begin building, but won’t know where to start. The Quick Start Guide includes detailed step-by-step instructions to build two basic VEX Robots, the Protobot and the Tumbler. Users who decide to start their VEX Robotics experience by building one of these robots will learn about the system by doing. During the build process each user should try to understand *why* the designers of the Protobot did what they did; this will provide great insight into the VEX Robotics Design System. The Inventor’s Guide can also answer any questions that may come up during this effort.

### **Beginners – “Get the Background”:**

The Inventor’s Guide will provide some background information on how each of the subsystems of the VEX Robotics Design System works. Browsing through each of the chapters will provide a solid foundation on which to expand. One can follow up this background by following the assembly instructions in the Quick Start Guide and building the Protobot or the Tumbler. By learning how each subsystem works before building a robot, the user will better understand how and why they do things during the robot construction.

There is no wrong way to begin. Whatever the first step, after a period of time each user will become more proficient with VEX. Through iteration and improvement almost anything is possible.

## Robot Design

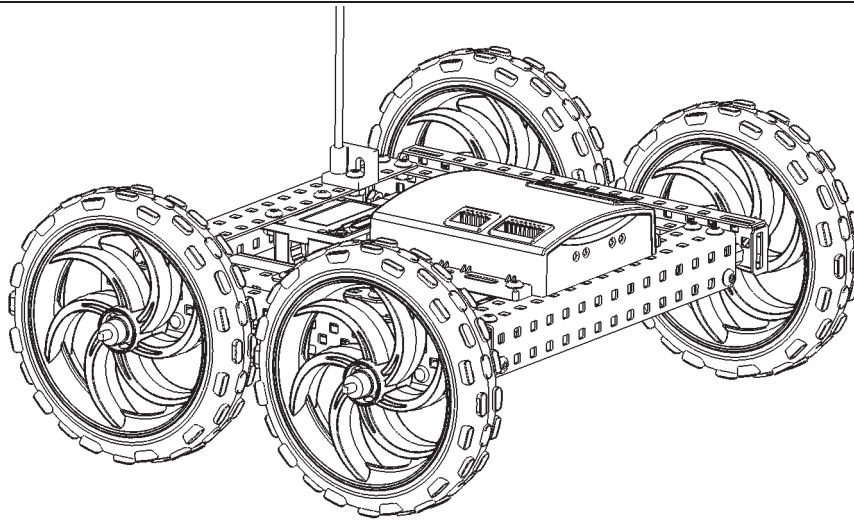
Every robot needs to start with a purpose. “What will the robot do?” Determining this is sometimes the most difficult step. These tasks can range from very easy to very difficult and some may require very complex robots. Some robots will be capable of completing multiple tasks.

Refer to Appendix C for more information on VEX Robotics Challenges.

Here are some example robot challenges:

- Turn a standard door-knob and open a door
- Do a pull-up on a bar
- Climb a rope
- Pickup trash and place it in a trash can
- Pickup 10 tennis balls and dump them in a storage bin.
- Climb stairs
- Play fetch with a dog
- Open a can of soda and pour it in a glass.

After determining “what the robot will do”, the next step is to figure out: “how it will do it”. It is tempting to start building immediately, but often a little bit of planning & design will result in a MUCH better robot. Creativity and innovation will be very important during this part of the design process.



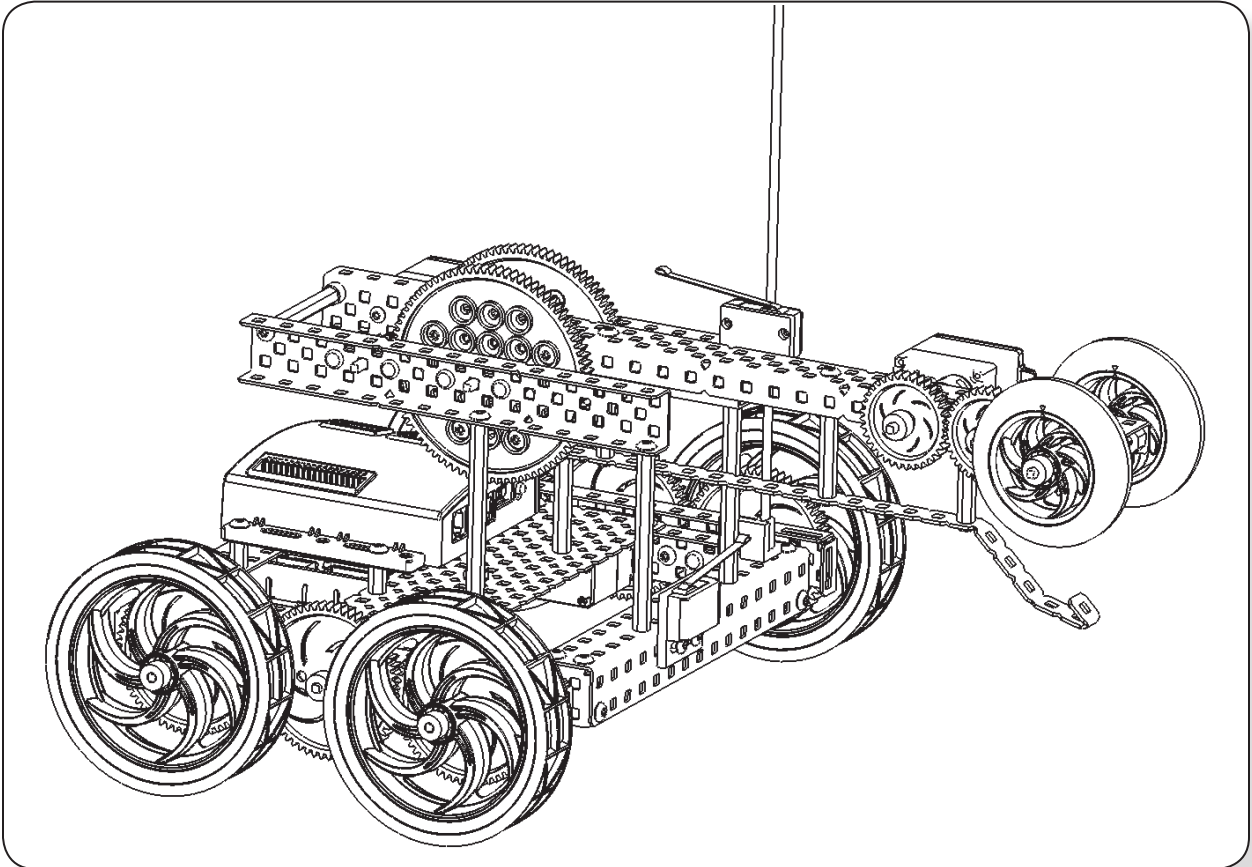
Some designers will have a lot of trouble thinking of how to accomplish their challenge. In this situation one of the best things to do is search for outside inspiration. Inspiration can come from anywhere, so good designers will be always looking for ideas. Examples of designs from the “real world” can sometimes be adapted successfully into a VEX robot design. There is no shame in improving an existing design or refining a previously used mechanism.

Two brains are better than one, and often times bouncing ideas off another designer will help stimulate creativity. Good designers will collaborate with others to improve their designs.

## Design Resources

A great source of inspiration may come from existing VEX robots. There are a number of robot examples posted on [www.VEXrobotics.com](http://www.VEXrobotics.com) as well as on the VEX community forum at [www.VEXforum.com](http://www.VEXforum.com). The VEX forums also provide a great opportunity for communicating with VEX users from around the world.

It is beneficial to design a robot in a CAD program before building it in real life. There are 3D models of every VEX part posted at [www.VEXCAD.com](http://www.VEXCAD.com).



## Design is an Iterative Process

The most important thing to remember about building a VEX robot is that it is an iterative process. Most designers will find themselves building and rebuilding things over and over again until they get them functioning well. The VEX Robotics Design System is well suited for this iteration. It is easy to take things apart and modify assemblies without any major fabrication of parts. This allows users to build things quickly with VEX that might take a long period of time with a less versatile kit.

When building robots, a designer should never be afraid to re-do work if it makes the overall product better, and they should always be thinking of ways to improve their design!

**Warning:** Changes or modifications to this unit not expressly approved by the party responsible for compliance could void the user authority to operate the equipment.

**NOTE:** This equipment has been tested and found to comply with the limits for a Class B digital device, pursuant to Part 15 of the FCC Rules. These limits are designed to provide reasonable protection against harmful interference in a residential installation. This equipment generates, uses and can radiate radio frequency energy and, if not installed and used in accordance with the instructions, may cause harmful interference to radio communications. However, there is no guarantee that interference will not occur in a particular installation. If this equipment does cause harmful interference to radio or television reception, which can be determined by turning the equipment off and on, the user is encouraged to try to correct the interference by one or more of the following measures:

- Reorient or relocate the receiving antenna.
- Increase the separation between the equipment and receiver.
- Connect the equipment into an outlet on a circuit different from that to which the receiver is connected.
- Consult the dealer or an experienced radio/TV technician for help.



**Important:** The EPA certified RBRC® Battery Recycling Seal on the nickel-cadmium (Ni-Cd) battery indicates Innovation First, Inc. voluntarily participates in an industry program that collects and recycles NiCd batteries at the end of their useful life, when taken out of service in the United States or Canada. The RBRC program provides a convenient alternative to placing used Ni-Cd batteries into the trash or the municipal waste stream, which may be illegal in your area. Please call 1-800-8-BATTERY for information on Ni-Cd battery recycling and disposal bans/restrictions in your area. Innovation First's involvement in this program is part of the company's commitment to preserving our environment and conserving our natural resources.

#### **Limited 90-day Warranty**

This product is warranted by Innovation First against manufacturing defects in material and workmanship under normal use for ninety (90) days from the date of purchase from authorized Innovation First dealers. For complete warranty details and exclusions, check with your dealer.

Innovation First, Inc.  
1519 Interstate 30 West  
Greenville, TX 75402

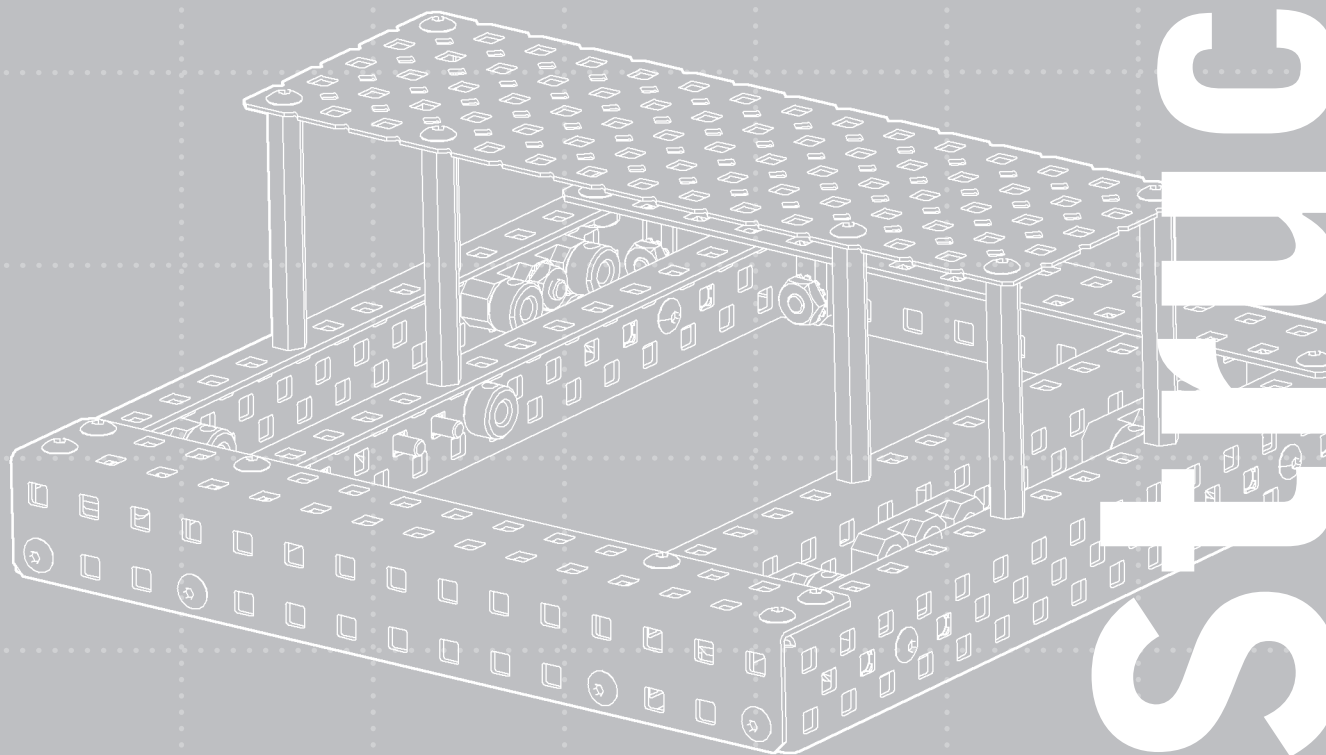
05/08  
Printed in China

**© 2008 Innovation First, Inc. All Rights Reserved.**

**VEX and VEX Robotics Design System are trademarks of Innovation First, Inc.**

The actual product may vary from images depicted in this Inventor's Guide.

The Structural Subsystem of the robot is responsible for physical support. It holds everything in place, and is, in effect, the durable “skeleton” of the robot to which all the other subsystems are attached.



# Structure

# Structure

## Table of Contents:

---

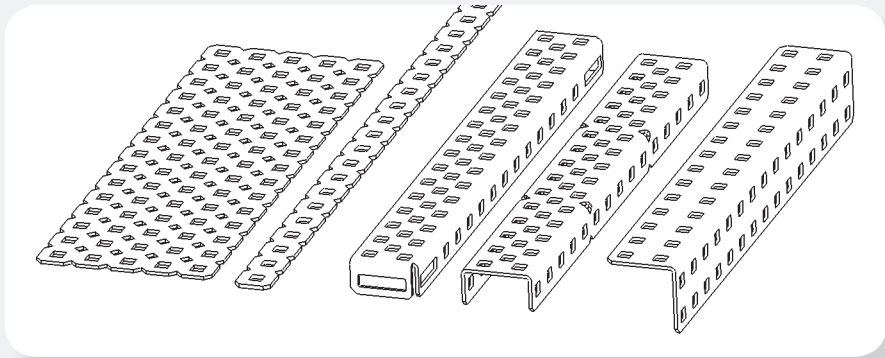
<b>Introduction to Structure Subsystem</b>	<b>2.2</b>
<b>Concepts to Understand</b>	<b>2.7</b>
<b>Subsystem Interactions</b>	<b>2.17</b>



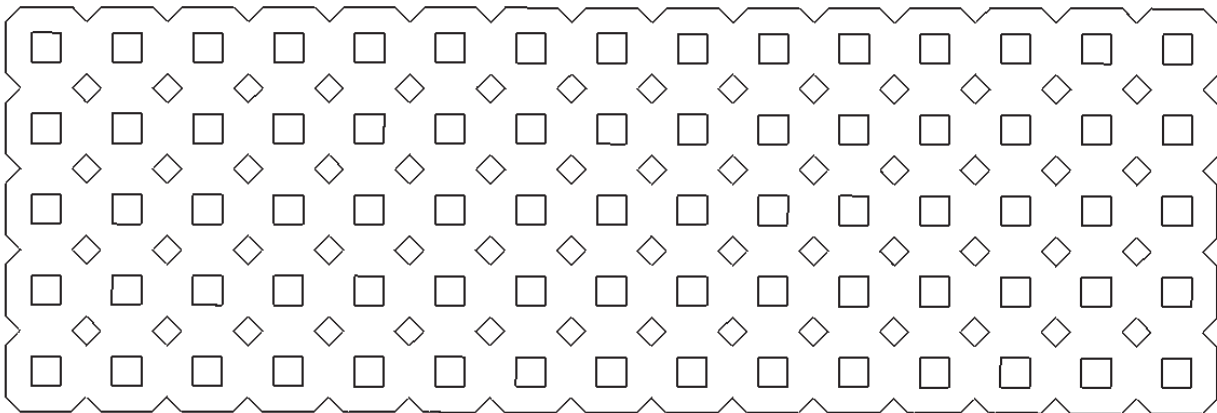
# Introduction to the Structure Subsystem

The parts in the VEX Structure Subsystem form the base of every robot. These parts are the “skeleton” of the robot to which all other parts are attached. This subsystem consists of all the main structural components in the VEX Design System including all the metal components and hardware pieces. These pieces connect together to form the “skeleton” or frame of the robot.

In the VEX Robotics Design System the majority of the components in the Structure Subsystem are made from bent sheet-metal. These pieces (either aluminum or steel) come in a variety of shapes and sizes and are suited to different functions on a robot. Different types of parts are designed for different applications.

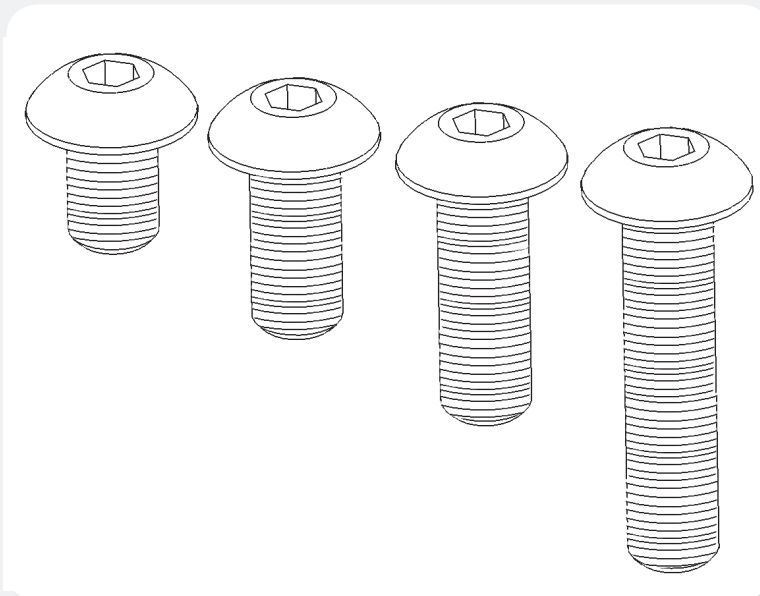
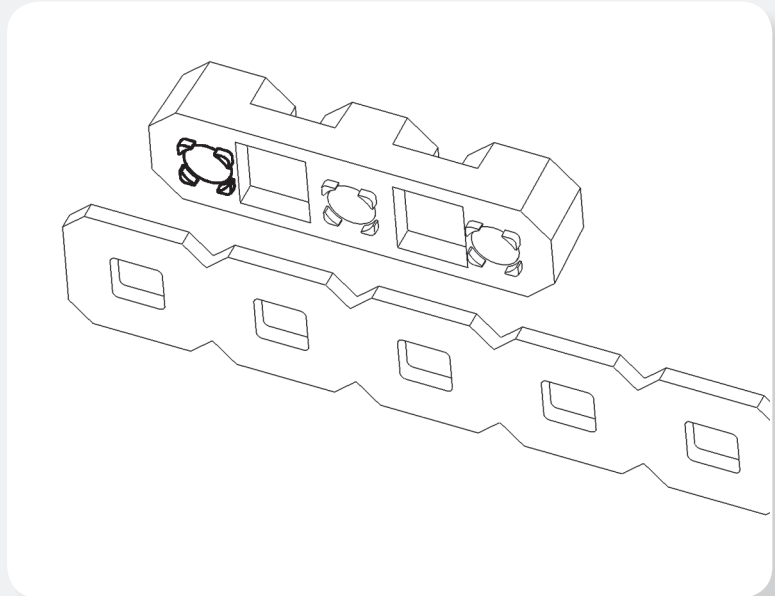


The VEX structural pieces all contain square holes (0.182" sq) on a standardized 1/2" grid. This standardized hole-spacing allows for VEX parts to be connected in almost any configuration. The smaller diamond holes are there to help users cut pieces using tin-snips or fine-toothed hacksaws without leaving sharp corners.



## Introduction to the Structure Subsystem, continued

VEX square holes are also used as “alignment features” on some components. These pieces will “snap” in place into these square holes. For example, when mounting a VEX Bearing Flat there are small tabs which will stick through the square hole and hold it perfectly in alignment. This allows for good placement of components with key alignment requirements. (It would be bad if a bearing slipped out of place!) Note that hardware is still required to hold the Bearing Flat onto a structural piece.



Hardware is an important part of the Structure Subsystem. Metal components can be directly attached together using the 8-32 screws and nuts which are standard in the VEX kit. The 8-32 screws fit through the standard VEX square holes. These screws come in a variety of lengths and can be used to attach multiple thicknesses of metal together, or to mount other components onto the VEX structural pieces.

Allen wrenches and other tools are used to tighten or loosen the hardware.

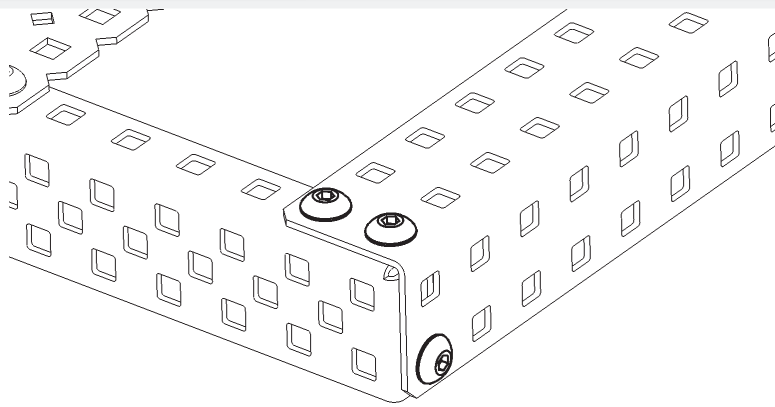
**Note:** There are two types of screws that are part of the VEX Robotics Design System.

- Size 8-32 screws are the primary screws used to build robot structure.
- Size 6-32 screws are smaller screws which are used for specialty applications like mounting the VEX Motors and Servos.

## Introduction to the Structure Subsystem, continued

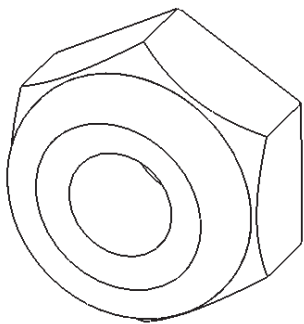
**HINT:**

Attach components together with multiple screws from different directions to keep structural members aligned correctly and for maximum strength!

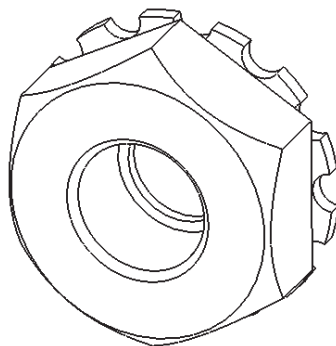


When using screws to attach things together, there are three types of nuts which can be used.

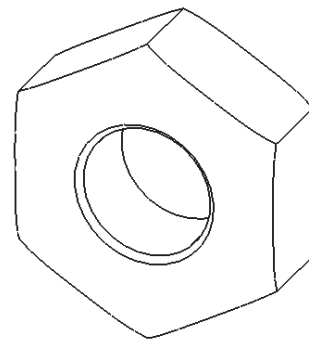
- Nylock nuts have a plastic insert in them which will prevent them from unscrewing. These are harder to install, as you need to use an open-ended wrench to tighten them up. These nuts will not come off due to vibration or movement.
- KEPS nuts have a ring of “teeth” on one side of them. These teeth will grip the piece they are being installed on. This means you do not **NEED** to use an open-ended wrench to tighten them (but it is still recommended). These nuts are installed with the teeth facing the structure. These nuts can loosen up over time if not properly tightened; however they will work great in most applications.
- Regular nuts have no locking feature. These basic hex nuts require a wrench to install and may loosen up over time, especially when under vibration or movement. They are very thin and can be used in some locations where it is not practical to use a Nylock or KEPS nut.



**Nylock Nut**



**KEPS Nut**



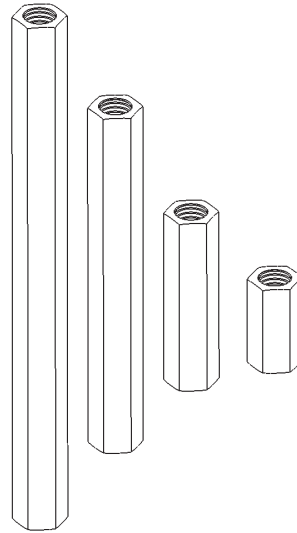
**Regular (Hex) Nut**

**WARNING:** It is important to be careful when tightening screws. The allen wrenches may round or “strip out” the socket on the head of the screw if they are not fully inserted into the socket.

Use care when tightening screws to prevent stripping out the head of the screw!

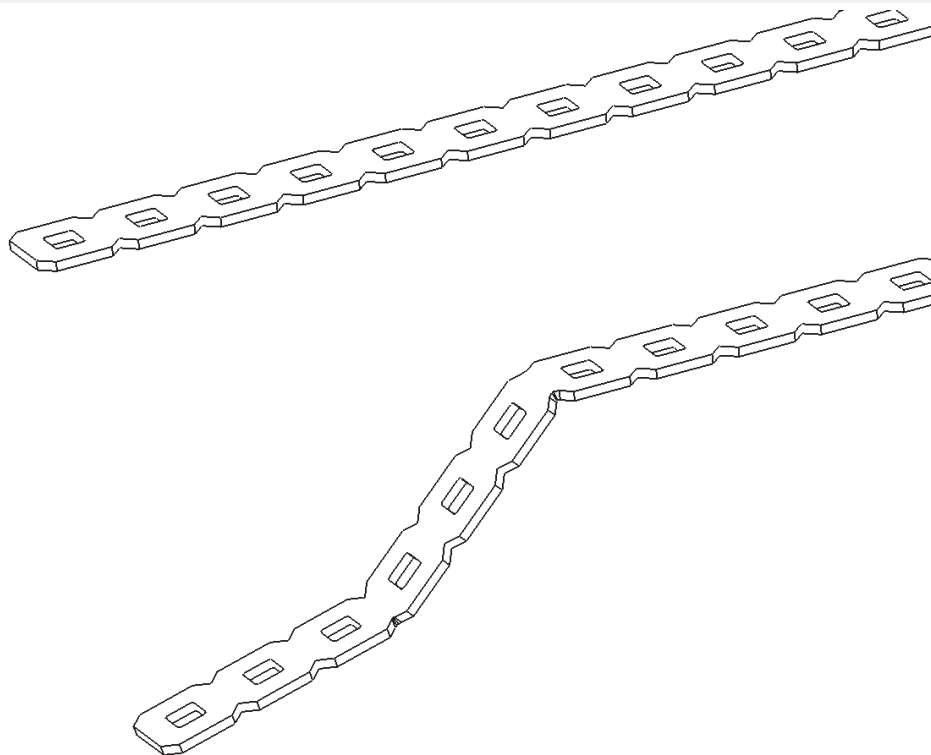
## Introduction to the Structure Subsystem, *continued*

Components can also be offset from each other using 8-32 threaded standoffs; these standoffs come in a variety of lengths and add great versatility to the VEX kit. These standoffs work great for mounting components in the VEX system as well as for creating structural beams of great strength.



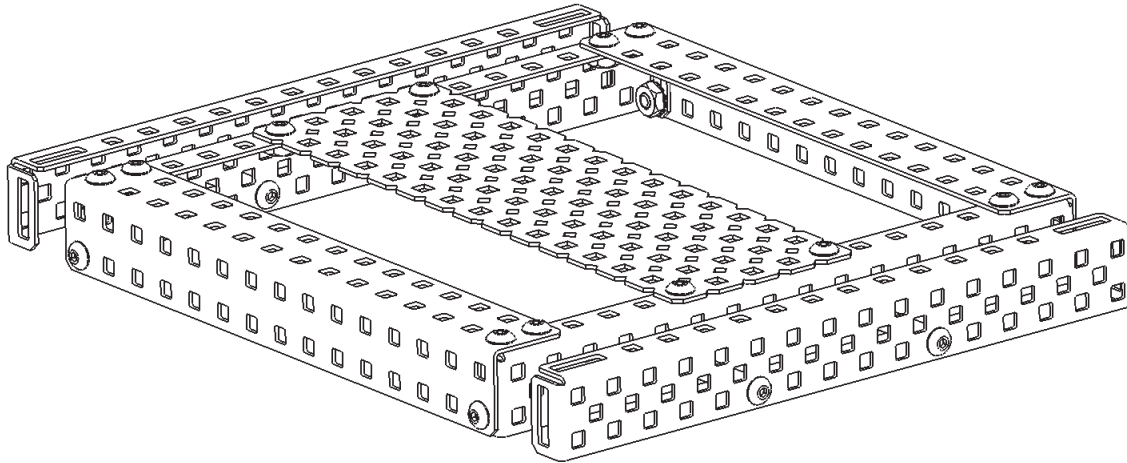
One of the key features of many VEX structural parts is their “bend-able” and “cut-able” nature. Users can easily modify many of these structural parts into new configurations better suited for their current needs. Flat plates can be bent into brackets. Many metal components can be cut to custom lengths. These parts were **DESIGNED** to be modified.

**Note:** It is almost impossible to fully flatten a piece once it has been bent.



### Introduction to the Structure Subsystem, *continued*

The VEX structural components come in a variety of shapes and sizes. Each of these structural shapes may be strong in some ways but weak in others. It is very easy to bend a piece of VEX Bar in one orientation, but it is almost impossible to bend it when it is in another orientation. Applying this type of knowledge is the basis of structural engineering. One can experiment with each piece and see how it can be used to create an extremely strong robot frame!



When designing a robot's structure, it is important to think about making it strong and robust while still trying to keep it as lightweight as possible. Sometimes overbuilding can be just as detrimental as underbuilding.

The frame is the skeleton of the robot and should be designed to be integrated cleanly with the robot's other components. The overall robot design should dictate the chassis, frame, and structural design; not vice-versa.

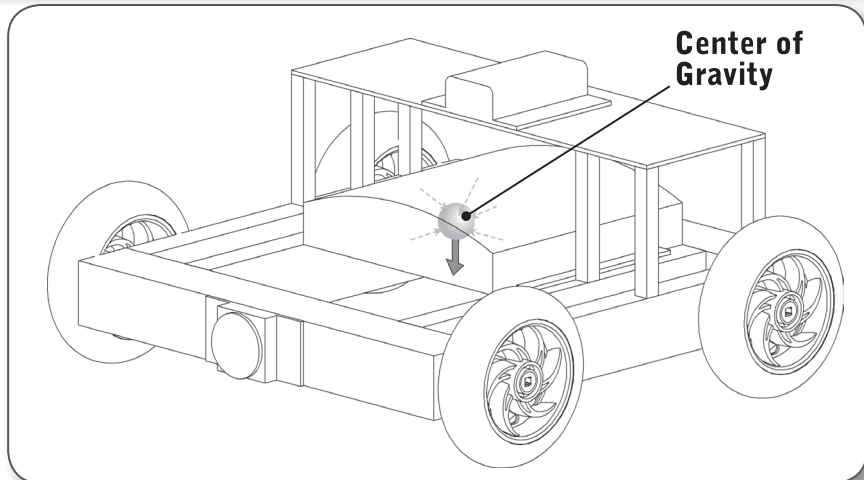
Design is an iterative process; experiment to find out what works best for a given robot.

# Concepts to Understand

## Stability: Center of Gravity Considerations

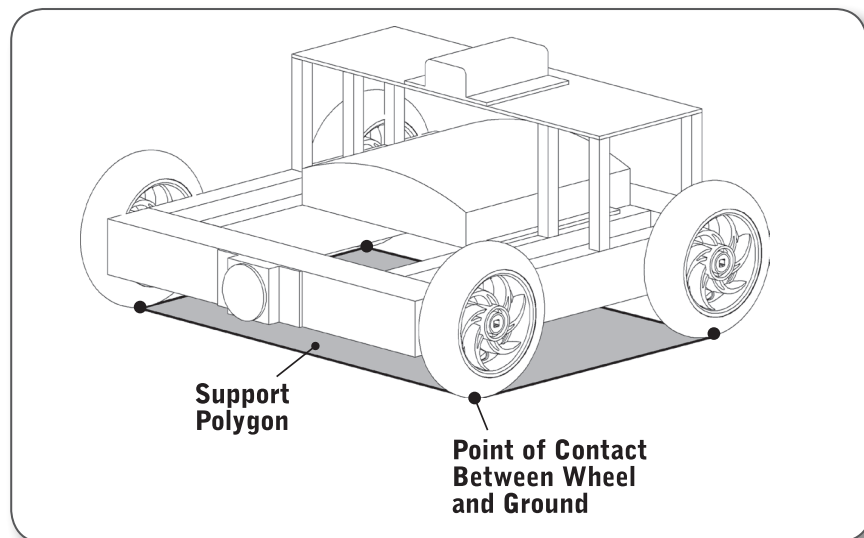
### Center of Gravity

You can think of the robot's center of gravity as the "average position" of all the weight on the robot. Because it is an average of both weight and position, heavier objects count more than lighter ones in determining where the center of gravity is, and pieces that are farther out count more than pieces that are near the middle.



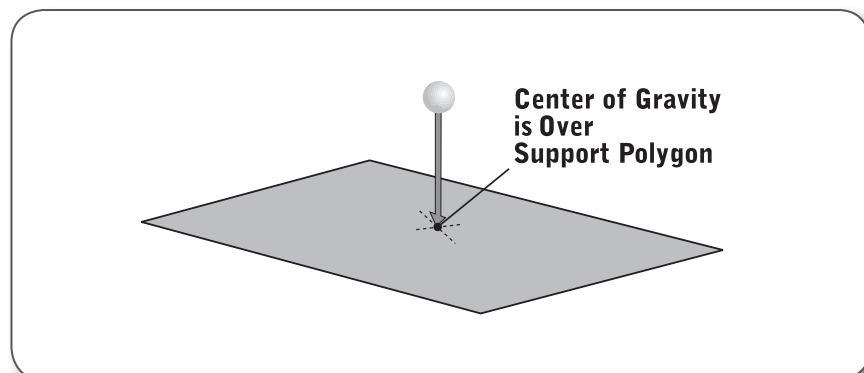
### Support Polygon

The support polygon is the imaginary polygon formed by connecting the points where your robot touches the ground (usually the wheels). It varies by design, but there is always one support polygon in any stable configuration.



### Stability

The rule for making a robot stable is very simple: the robot will be most stable when the center of gravity is centered over the support polygon. Your robot will encounter much more complex situations than just standing still; you need to take these into account when making your design.

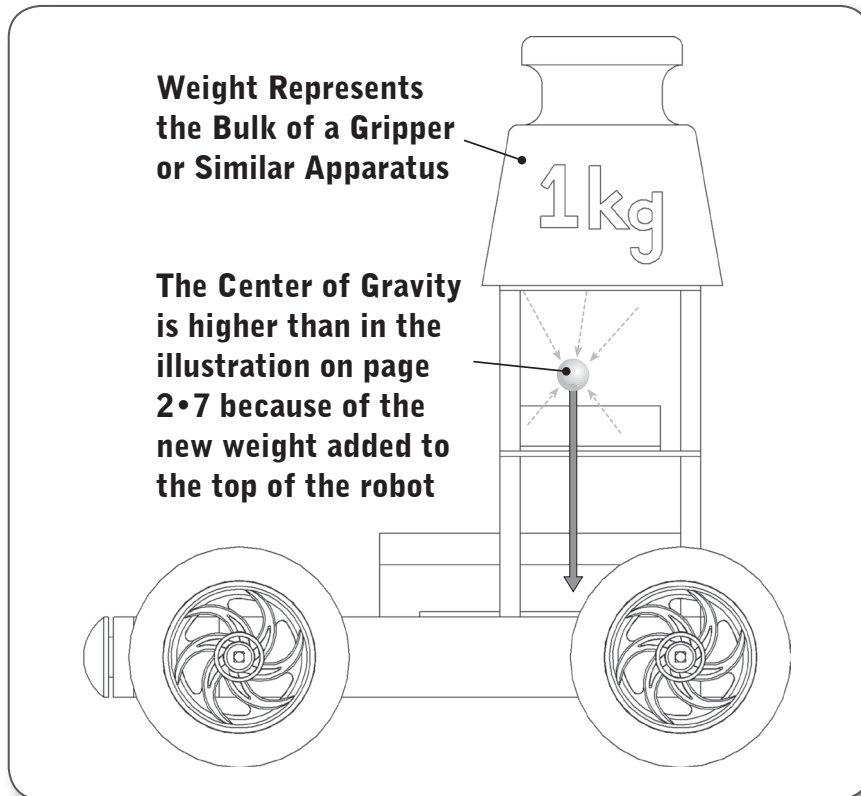


## Concepts to Understand, continued

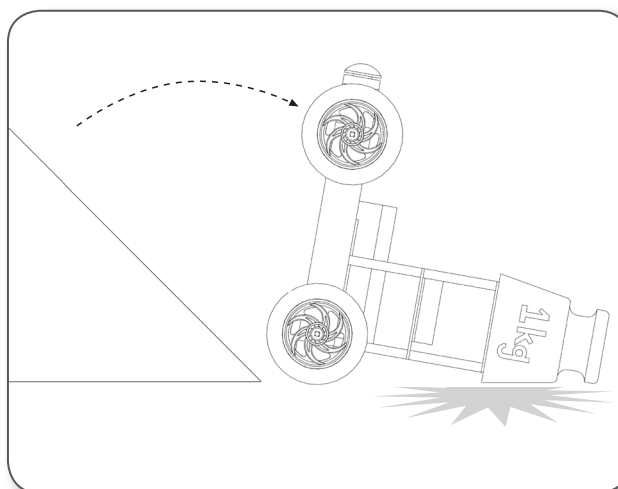
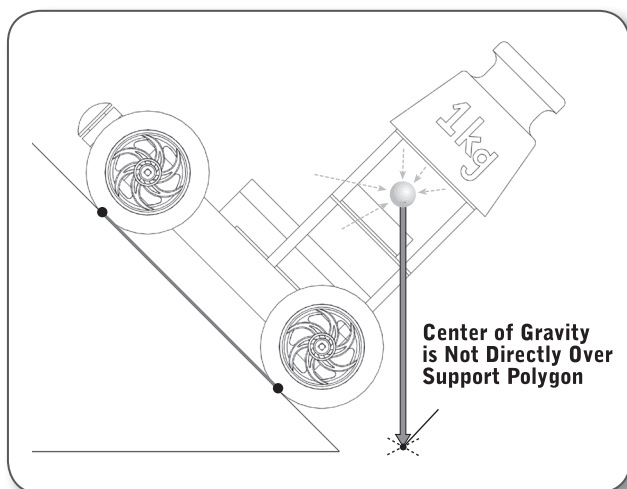
### Stability: Center of Gravity Considerations, continued

**EXAMPLE 1: Towerbot**

This robot was built very tall so that it would be able to reach a hanging goal for a challenge. However, along the way, it had to first climb a ramp.



Notice that the robot's center of gravity is no longer over the support polygon. This robot would fall over as soon as it started up the ramp.



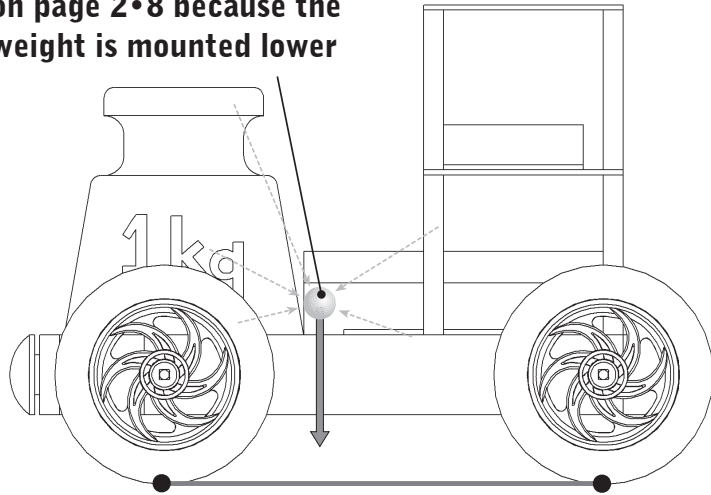
## Concepts to Understand, continued

### Stability: Center of Gravity Considerations, continued

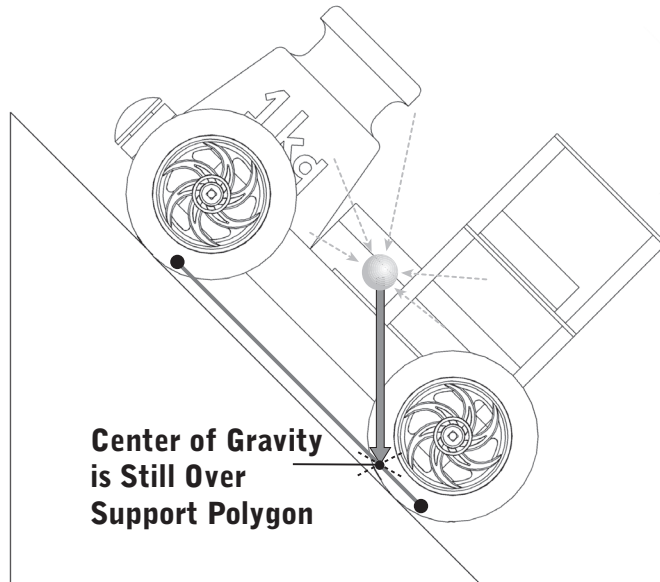
**EXAMPLE 1: Towerbot, continued**

To fix this problem, you must lower the robot's center of gravity so that it does not move as far when the robot is on an incline. In general, it is advantageous to have your robot's center of gravity as close to the ground as possible!

**Center of Gravity is now lower than in the illustration on page 2•8 because the weight is mounted lower**



**Center of Gravity is Still Over Support Polygon**





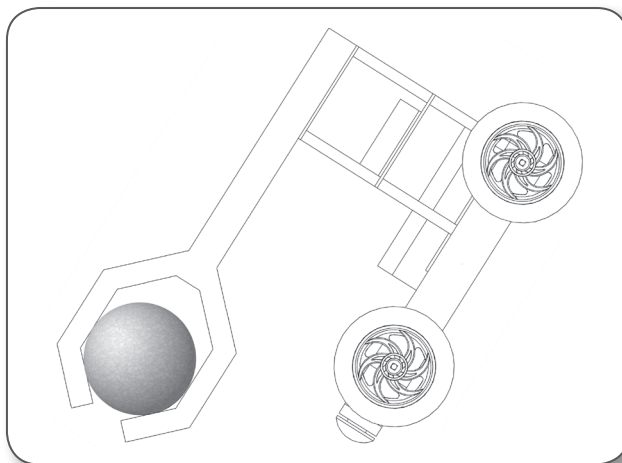
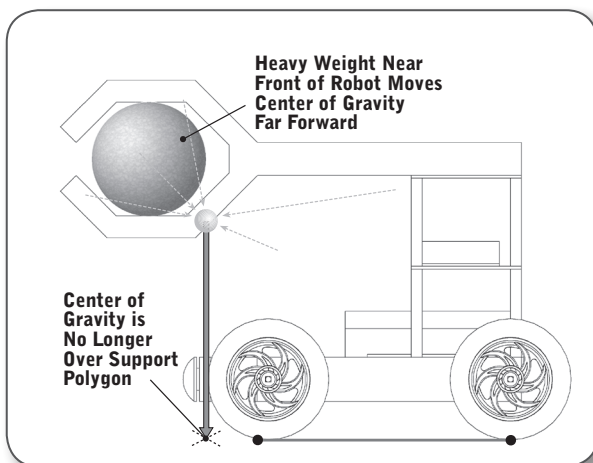
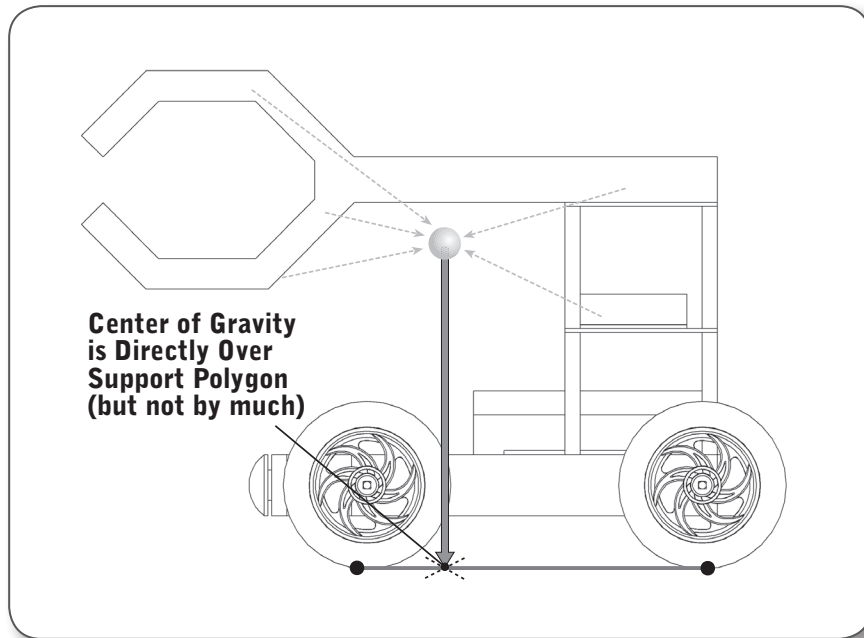
## Concepts to Understand, continued

### Stability: Center of Gravity Considerations, continued

#### EXAMPLE 2: Grabberbot

This robot is designed to pick up a heavy object using the gripper claw on the front, and transport the object to another location.

When the robot picks up the object, it effectively adds the object's weight to the robot's structure. The combined robot-ball structure now has a new center of gravity (shown below), which is outside the support polygon. The robot tips over as a consequence.



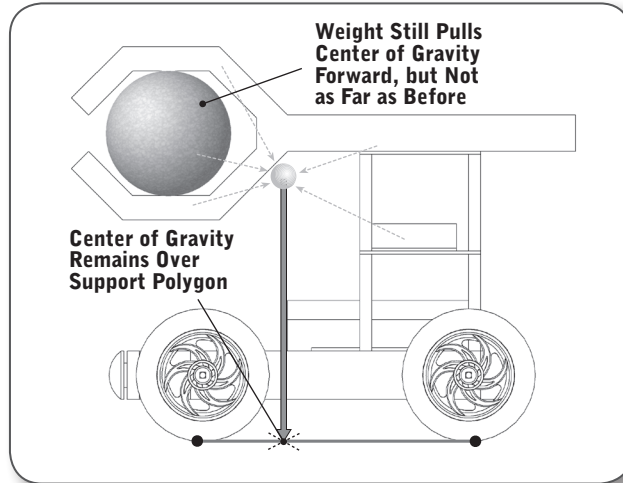
# Concepts to Understand, continued

## Stability: Center of Gravity Considerations, continued

### EXAMPLE 2: Grabberbot, continued

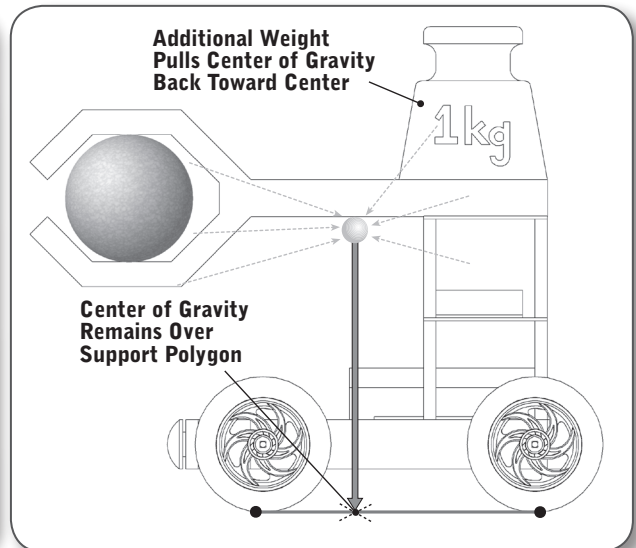
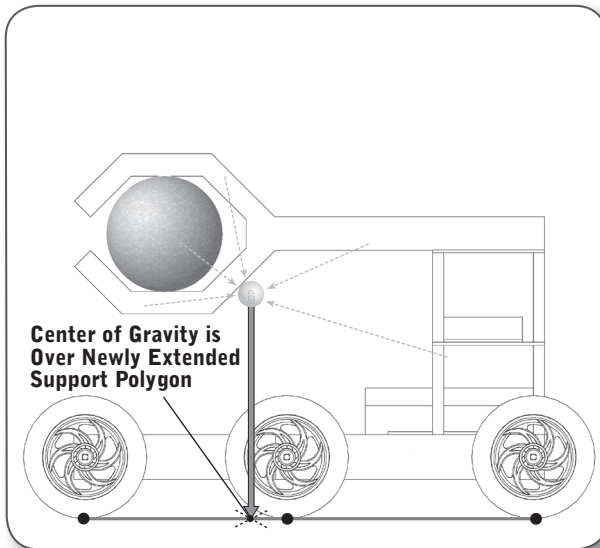
There are many solutions to this problem. Depending on the specifics of the challenge, some or all of these modifications could work:

Moving the center of gravity back by moving the gripper farther back on the robot



Extending the support polygon by adding more wheels farther out

Moving the center of gravity back by adding counterweights on the back of the robot



## Concepts to Understand, continued

### Robust Fabrication

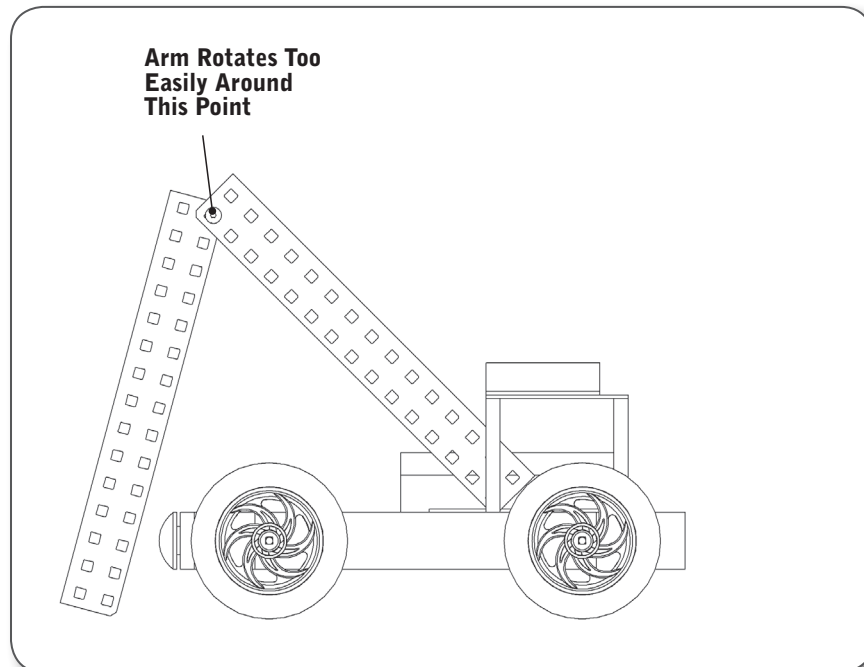
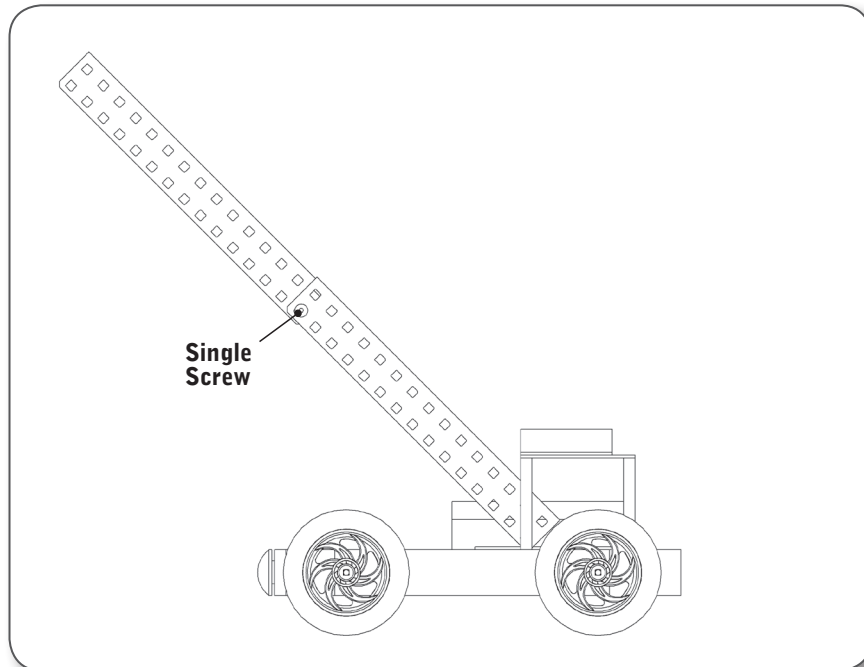
#### Fasteners

The most common problem with robots that fall apart or lose pieces easily is that groups of parts are not joined securely enough and separate from each other and move around.

#### EXAMPLE 1: Arm Extension

A robot needs to be able to reach a goal that is high off the ground. The goal is so high that a single long piece will not reach it. Two pieces must be joined together to reach the desired height.

This attachment uses a single screw to join the two bars. As you can see, it has a problem when weight is applied to it: the extension bar rotates around the screw. Also, if this screw were to come loose or fall out for any reason, the entire arm would come crashing down.

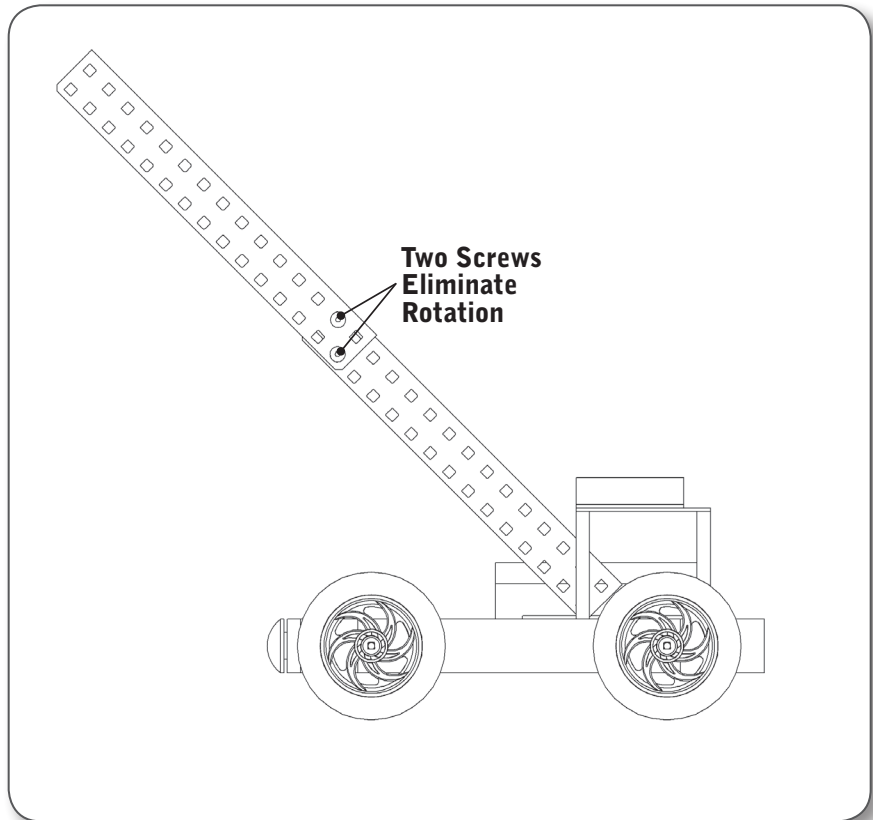


## Concepts to Understand, continued

### Robust Fabrication, continued

**EXAMPLE 1, continued:  
Arm Extension,  
continued**

By using two screws, this design removes the possibility of rotation around either one of them. Additionally, the design is more resilient.



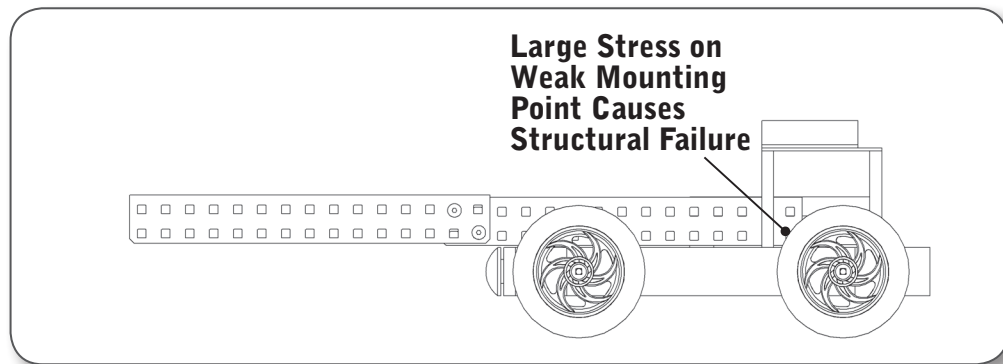
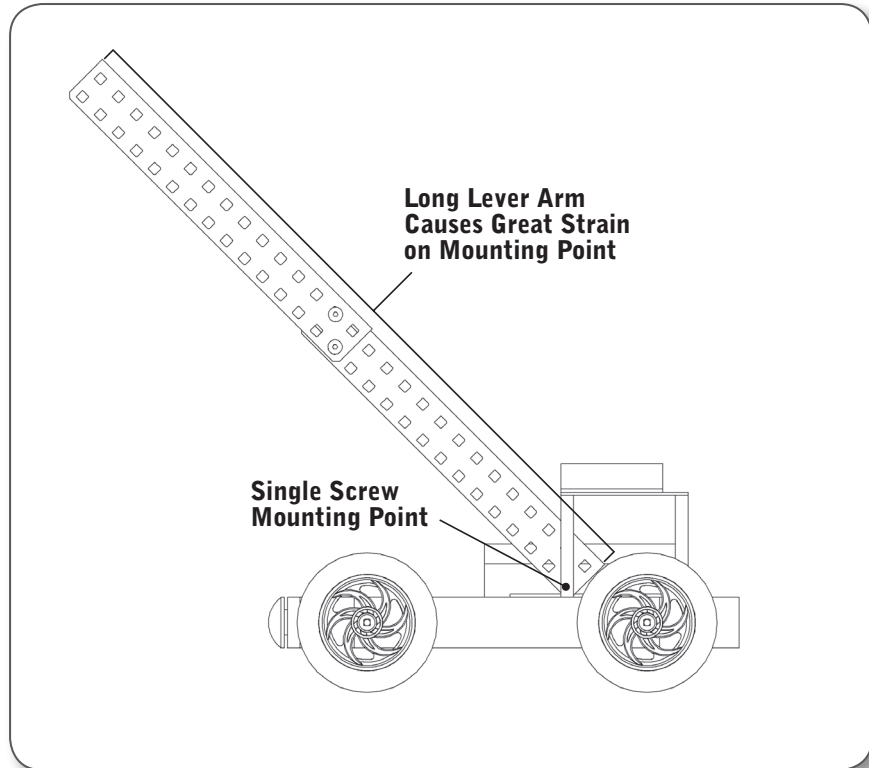
## Concepts to Understand, continued

### Robust Fabrication, continued

**EXAMPLE 2:**

**Bracing**

The extended bars are now attached firmly to each other, and the long arm is mounted on your robot. However, the long arm is going to generate huge stresses at its mounting point because it is so long, especially when the arm is used to lift a load.



## Concepts to Understand, continued

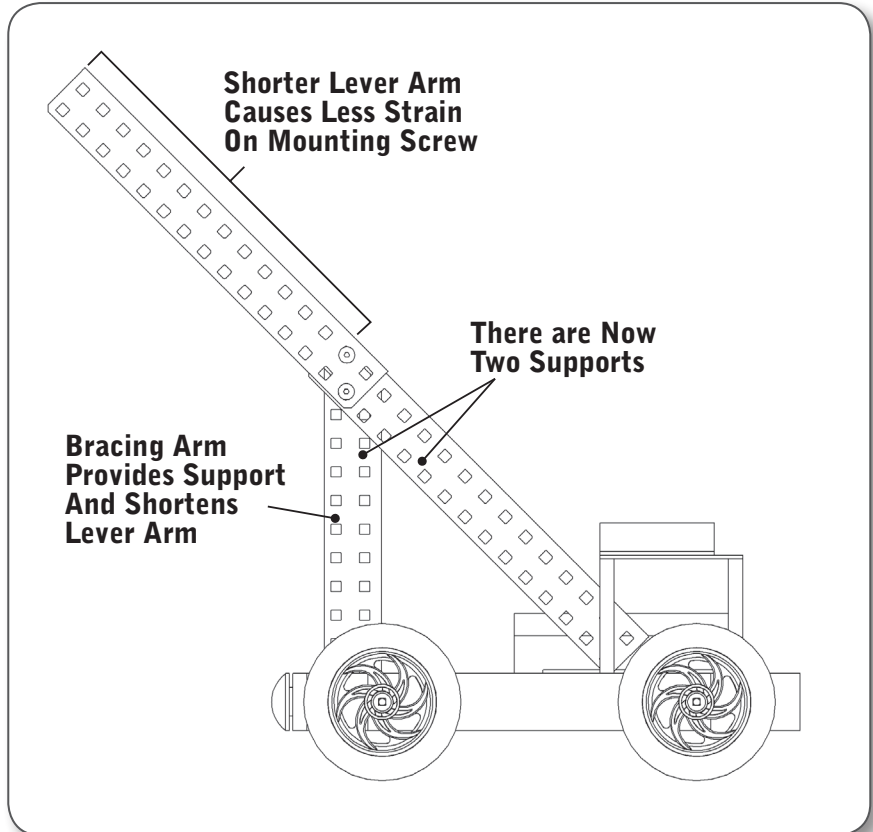
### Robust Fabrication, continued

#### EXAMPLE 2:

##### Bracing the Bars, continued

In order to keep the arm from falling down, you will need to brace it. You could use a second screw to hold it, like you did with the arm itself, but because the arm is such a long lever arm, that screw would actually be in danger of deforming or breaking. A better solution would be to give the structure support at a point closer to the end, thus reducing the mechanical advantage that the arm has relative to the supports.

The arm is now more stable and better able to withstand stresses placed on it from both its own weight, and any external forces acting on it. The bracing arm has both decreased the mechanical advantage from the long lever arm, and spread the load over two supports instead of just one.



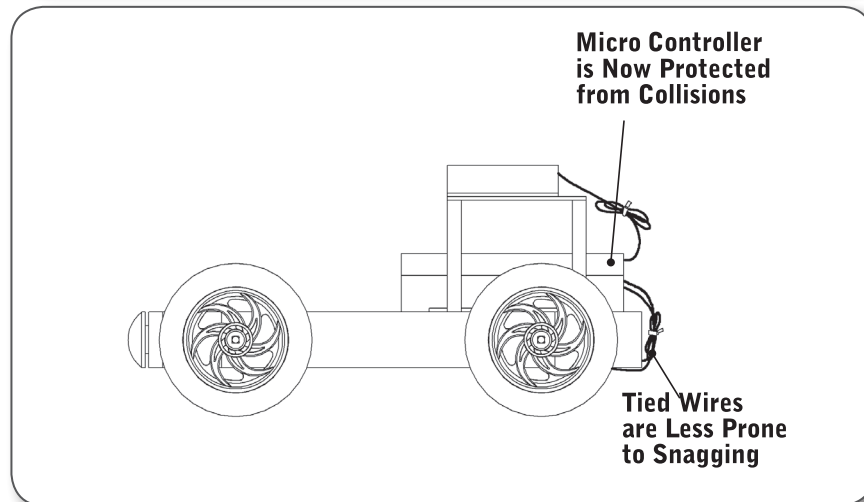
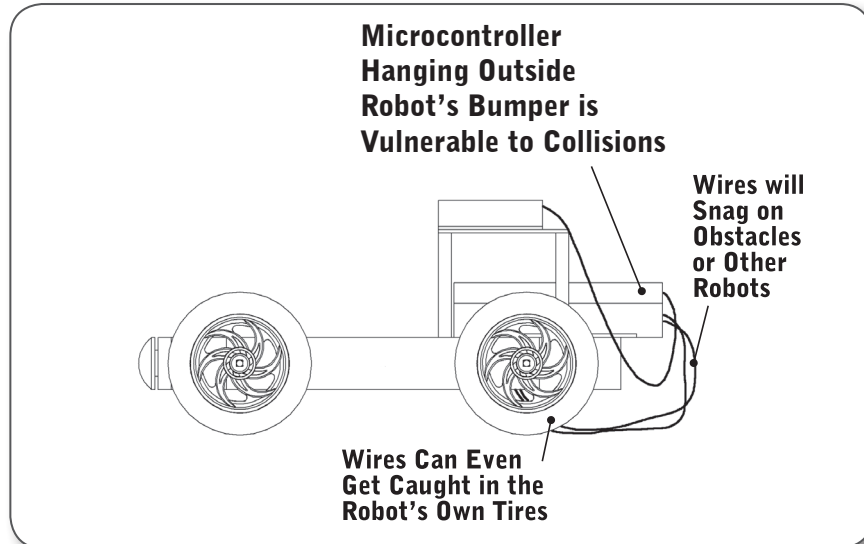
## Concepts to Understand, continued

### Exposure and Vulnerability

There are certain parts of a robot that are more fragile than others. Always plan the structural design to protect these parts from unwanted physical contact if possible.

The design in the example at the right is asking for trouble. The VEX Microcontroller is a sensitive piece of electronic equipment, and it can be a poor design decision to put it somewhere it could be damaged by a simple physical impact. In particular, this design leaves the back of the VEX Microcontroller exposed in such a way that a passing robot or a careless driver could smash the entire rear connector panel, potentially damaging the radio control and power connections. Also, the wires are a mess. Wires should be secured and protected, because if one of those wires were to snag on another robot (or even on the robot's own wheels!), the connector would be forcibly removed from its port. Not only would this disable the robot on the field, but it could cause permanent damage to the cable or the ports on the VEX Microcontroller.

Adjusting the position of the controller so that it is not likely to get hit by anything, and cleaning up the wires (the kit comes with wire ties/tie wraps/zip ties) will reduce the chance of damage to the sensitive electronic components on the robot. As a bonus, it looks a lot cleaner as well.



**TIP:**

For the best protection ensure all robot components that can be damaged are well shielded and inside robot structure. Route wires inside the robot and away from all moving components.

# Subsystem Interactions

## How does the Structure Subsystem interact with...

### ...the Motion Subsystem?

- The motion and Structure Subsystems are tightly integrated in many robots designs. The Motion Subsystem can't be constructed without certain structural components (like the chassis rails) to provide support. By the same token, the Structure Subsystem must be designed largely to accommodate the motion components.

### ...the Power Subsystem?

- The Structure Subsystem generally provides a safe, protected place to attach the battery.
- The battery is often the heaviest component on a VEX robot. Battery placement will effect the robot's center of gravity, and must be considered to ensure the robot is stable. The easiest way to change the robot's center of gravity is to move the battery.

### ...the Sensor Subsystem?

- The Structure Subsystem provides a mounting and stabilization platform for sensors on the robot. Often, sensors need to be held in a specific position to function properly, and the Structural Subsystem must be designed to accommodate these needs.

### ...the Control Subsystem?

- The Structure Subsystem will generally provide a place to mount the RF Receiver module on the robot. In some cases, you will need to construct a piece to hold the Antenna Holder in a safe place. The Antenna Holder and Sleeve should hold the antenna away from all structural components. It should be vertical, and positioned above the robot to avoid reducing the robot's ability to receive signals from the transmitter.

### ... the Logic Subsystem?

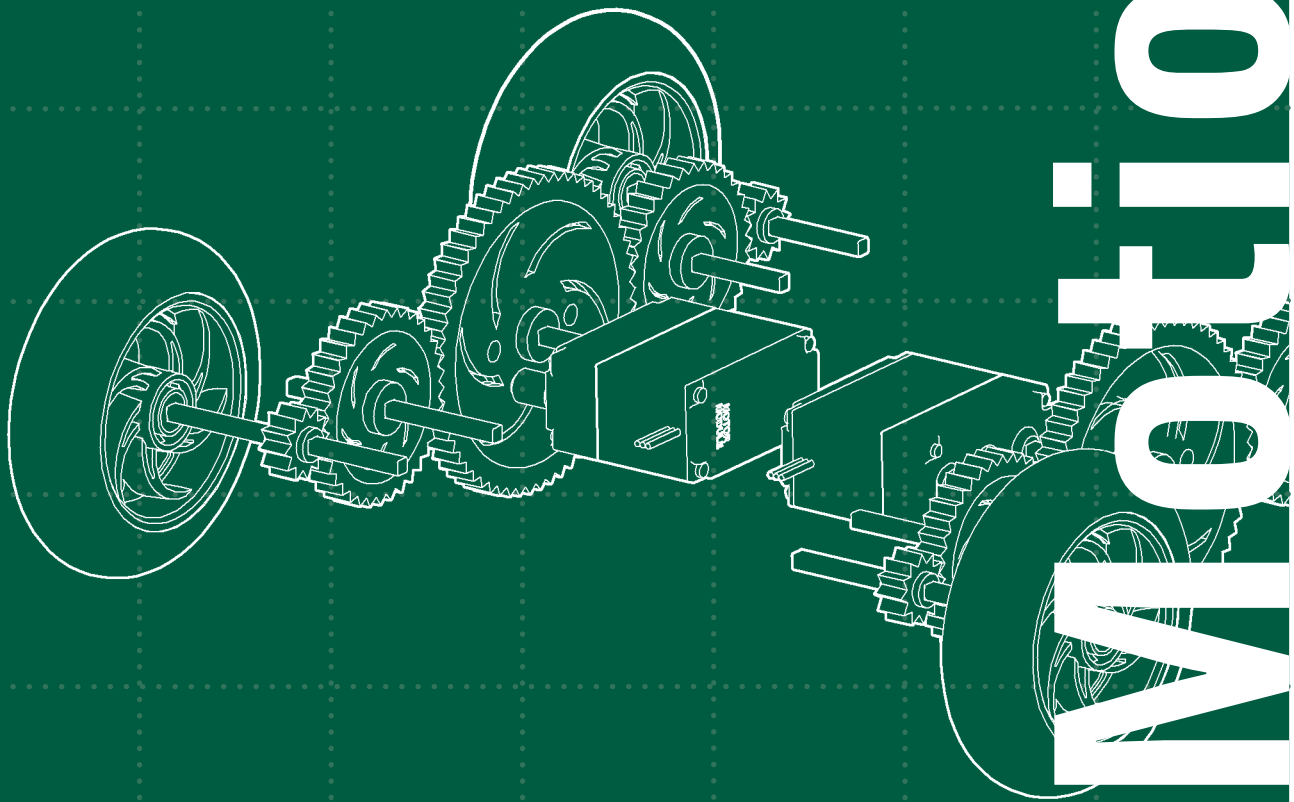
- The Structure Subsystem holds the Logic Subsystem's Microcontroller in place. Since the Microcontroller is a very delicate and important part of the robot, the Structure Subsystem will also protect the Microcontroller by keeping it in a secure spot.
- The Structure Subsystem does not plug into the Microcontroller in any way; however, the Structure Subsystem does need to accommodate and protect the wires that run between the Microcontroller and other pieces.



## User Structure Notes

---

**The Motion Subsystem of the robot is responsible for exactly that, motion. It includes both the motors that generate motion, and the wheels and gears that transfer and transform that motion into the desired forms. With the Structural Subsystem as the robot's skeleton, the Motion Subsystem is its muscle.**



**Motion**

# Motion

## Table of Contents:

---

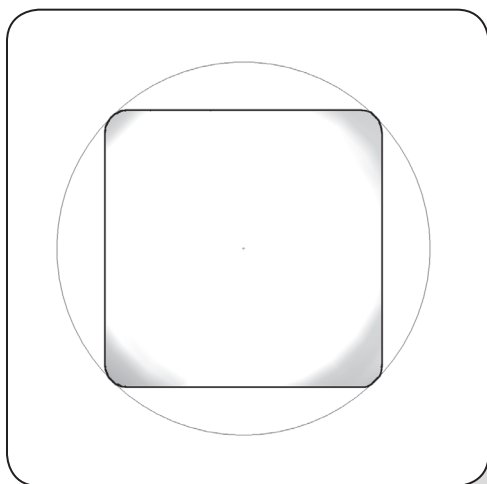
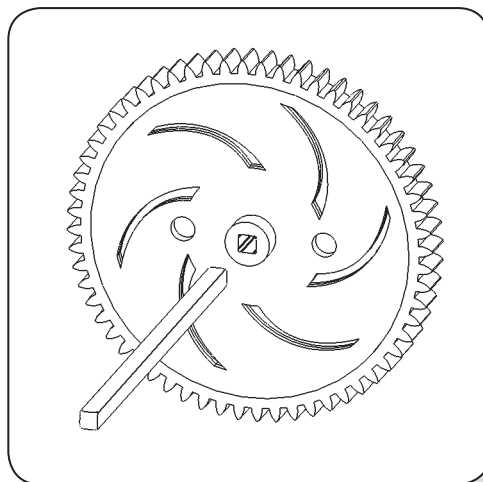
<b>Introduction to the Motion Subsystem</b>	<b>3.2</b>
<b>Concepts to Understand</b>	<b>3.8</b>
<b>Subsystem Interactions</b>	<b>3.26</b>

## Introduction to the Motion Subsystem

The Motion Subsystem comprises all the components in the VEX Robotics Design System which make a robot move. These components are critical to every robot. The Motion Subsystem is tightly integrated with the components of the Structure Subsystem in almost all robot designs.

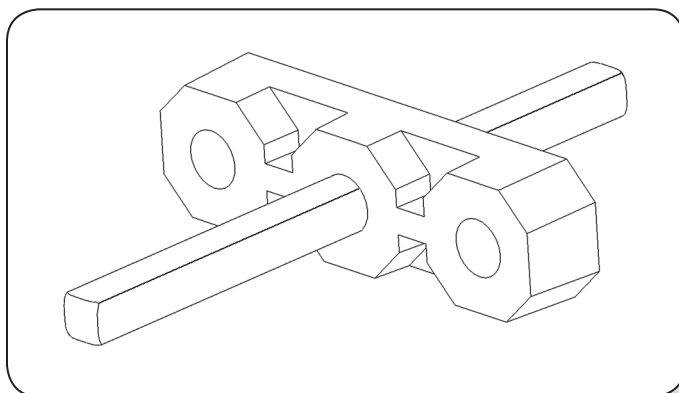
In the VEX Robotics Design System the motion components are all easily integrated together. This makes it simple to create very complex systems using the basic motion building blocks.

The most fundamental concept of the Motion Subsystem is the use of a square shaft. Most of the VEX motion components use a square hole in their hub which fits tightly on the square VEX shafts. This square hole – square shaft system transmits torque without using cumbersome collars or clamps to grip a round shaft.

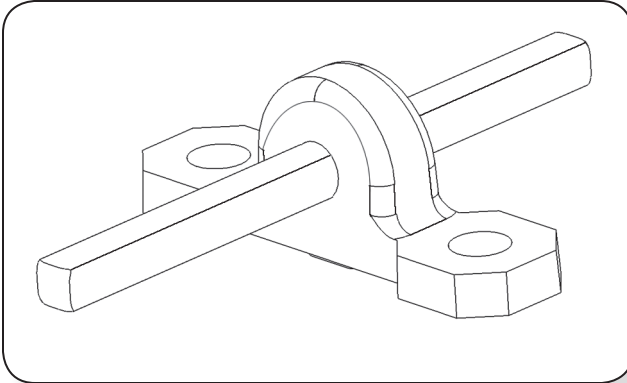


The square shaft has rounded corners which allow it to spin easily in a round hole. This allows the use of simple bearings made from Delrin (a slippery plastic). The Delrin bearing will provide a low-friction piece for the shafts to turn in.

These VEX Delrin bearings come in two types, the most common of which is a Bearing Flat. The Bearing Flat mounts directly on a piece of VEX structure and supports a shaft which runs perpendicular and directly through the structure.

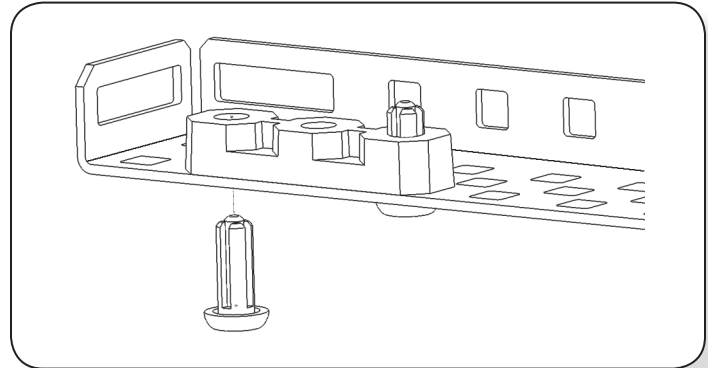


## Introduction to the Motion Subsystem, continued



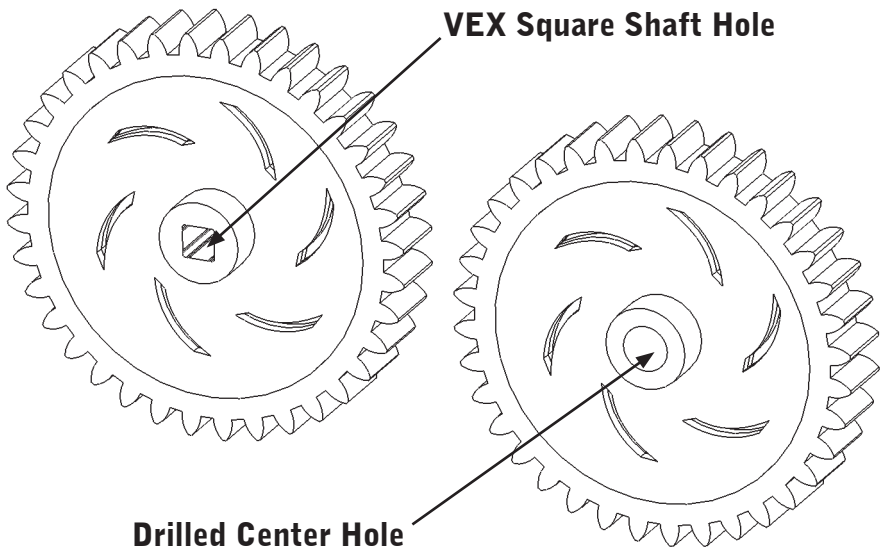
Another type of bearing used in the VEX Motion Subsystem is a Bearing Block; these are similar to the “pillow-blocks” used in industry. The Bearing Block mounts on a piece of structure and supports a shaft which is offset either above, below, or to the side of the structure.

Some bearings can be mounted to VEX structural components with Bearing Pop Rivets. These rivets are pressed into place for quick mounting. These Rivets are removable; pull out the center piece by pulling up on the head of the Rivet to get it to release.

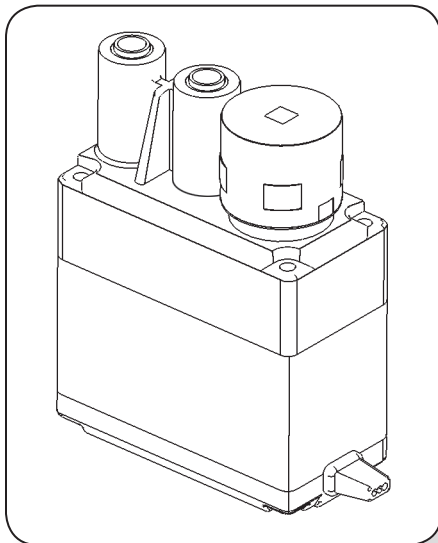


### HINT:

It is also possible to convert the square hole(s) in some Motion Subsystem Components to a round hole by using a drill (approximately 0.175” diameter) to create a round hole that replaces the part’s original square hole. A VEX square shaft can then spin freely in the newly created round hole. This is useful for some specialty applications.



## Introduction to the Motion Subsystem, *continued*

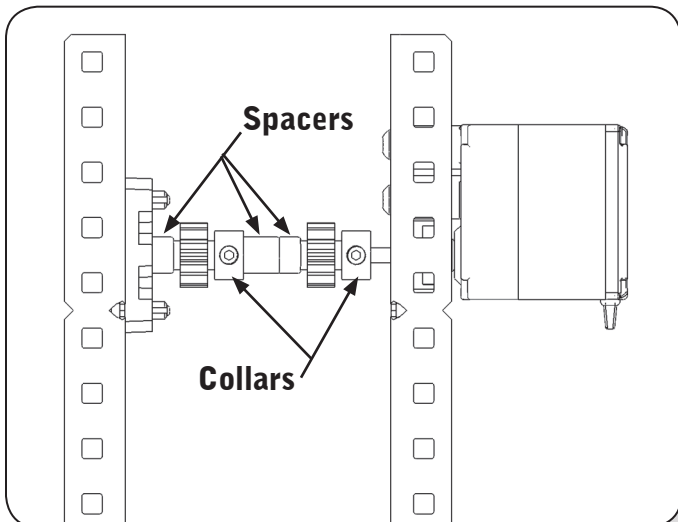
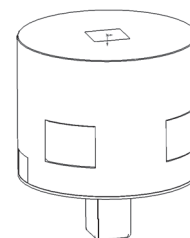


The key component of any motion system is an actuator (an actuator is something which causes a mechanical system to move). In the VEX Robotics Design System there are several different actuator options. The most common types of actuators used are the VEX Continuous Rotation Motors and the VEX Servos. (For more information on Motors & Servos refer to the “Concepts to Understand” section of this chapter.)

Each VEX Robotics Motor & Servo comes with a square socket in its face, designed to connect it to the VEX square shafts. By simply inserting a shaft into this socket it is easy to transfer torque directly from a motor into the rest of the Motion Subsystem.

### **WARNING:**

VEX Motors include a clutch assembly which is designed to prevent damage to the internals of the VEX Motor in the event of a shock-load. Motors can be used without clutches, but it is not recommended. For more information on VEX Clutches refer to the “Concepts to Understand” section of this chapter.



The Motion Subsystem also contains parts designed to keep pieces positioned on a VEX shaft. These pieces include washers, spacers, and shaft collars. VEX Shaft Collars slide onto a shaft, and can be fastened in place using a setscrew. Before tightening the setscrew, it is important to slide the Shaft Collars along the square shafts until they are next to a fixed part of the robot so that the collar prevents the shaft from sliding back and forth.

**HINT:** The setscrews used in VEX Shaft Collars are 8-32 size threaded screws; this is the same thread size used in the rest of the kit. There are many applications where it might be beneficial to remove the setscrew from the Shaft Collar and use a normal VEX screw.

**If a setscrew is lost any other VEX 8-32 screw can be substituted although the additional height of the screw head must be considered!**

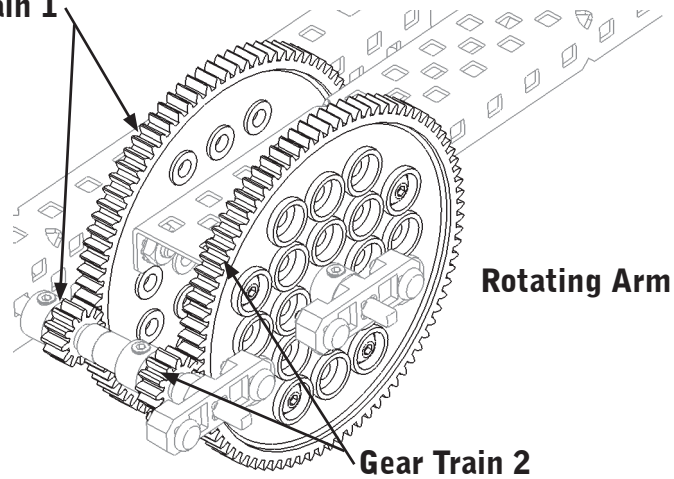
## Introduction to the Motion Subsystem, *continued*

In some applications excessive loads can damage the components of the VEX Motion Subsystem. In these cases there are often ways to reinforce the system to reduce the load each individual component will experience, or so that the load is no longer concentrated at a single location on any given component.

### **EXAMPLE:**

One example of a component failure is fracturing gear teeth. Another example is rounding out the square hole the shaft goes through. If either of these situations exists an easy way to fix it is to use multiple gears in parallel. Try using two gear trains next to each other to decrease the load on each individual gear.

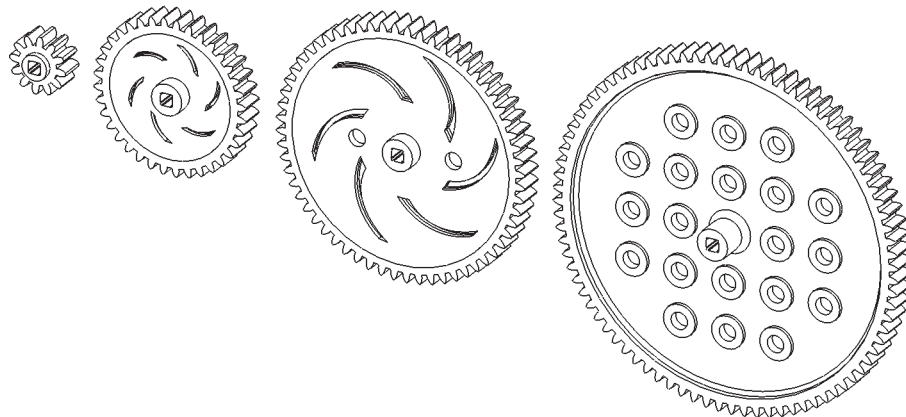
**Gear Train 1**



**Rotating Arm**

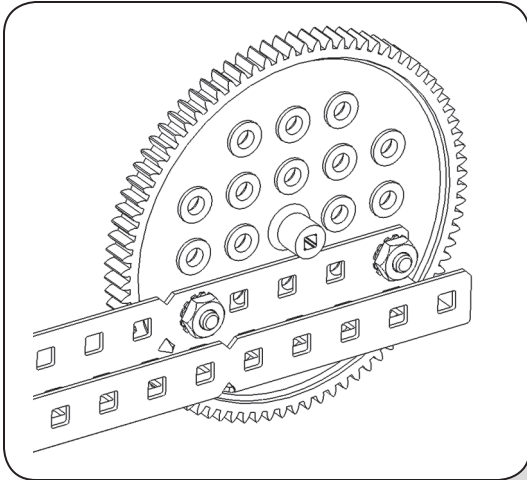
**Gear Train 2**

There are several ways to transfer motion in the VEX Robotics Design System. A number of Motion Subsystem accessory kits are available with a variety of advanced options. The primary way to transfer motion is through the use of spur gears. Spur gears transfer motion between parallel shafts, and can also be used to increase or decrease torque through the use of gear ratios.



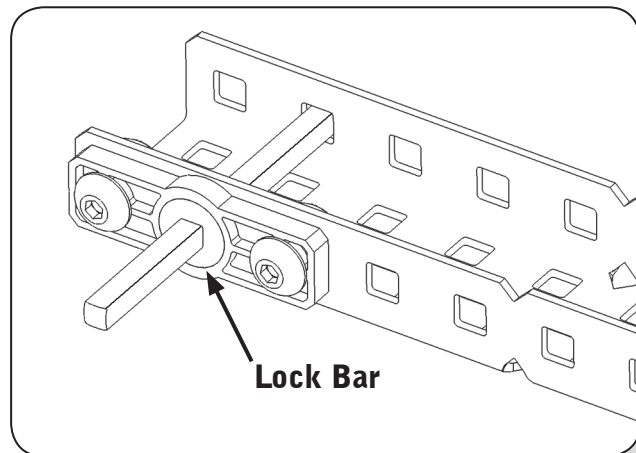
These gears can also be combined with sprocket & chain reductions, and also with advanced gear types to create even more complex mechanisms.

## Introduction to the Motion Subsystem, *continued*



It is easy to drive components of the VEX Structure Subsystem using motion components in several different ways. Most of the VEX Gears have mounting holes in them on the standard VEX 1/2" hole spacing; it is simple to attach metal pieces to these mounting holes. One benefit of using this method is that in some configurations, the final gear train will transfer torque directly into the structural piece via a gear; this decreases the torque running through the shaft itself.

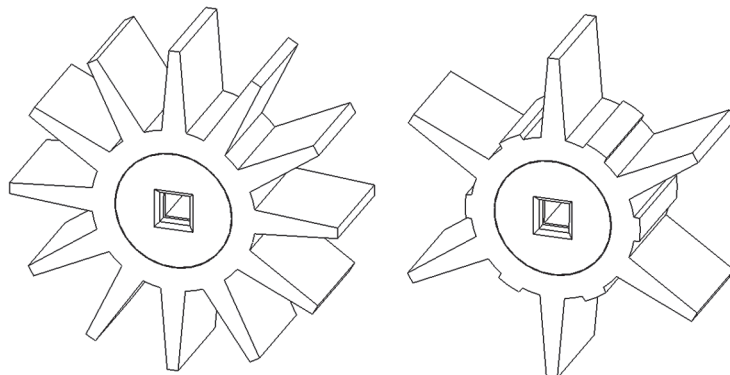
Another option to drive structural pieces using the Motion Subsystem is through a Lock Bar. These pieces are designed such that they can bolt onto any VEX structural component using the standard VEX 1/2" pitch. In the center of each piece there is a square hole which matches the VEX square shaft. As such, any VEX component can be "locked" to a shaft using the Lock Bar so that it will spin with the shaft. Note that the insert in each Lock Bar is removable and can be reinserted at any 15° increment.



Intake Rollers can be used in a variety of applications. These components were originally designed to be rollers in an intake or accumulator mechanism. The "fins" or "fingers" of the roller will flex when they contact an object; this will provide a gripping force which should pull on the object.

### **HINT:**

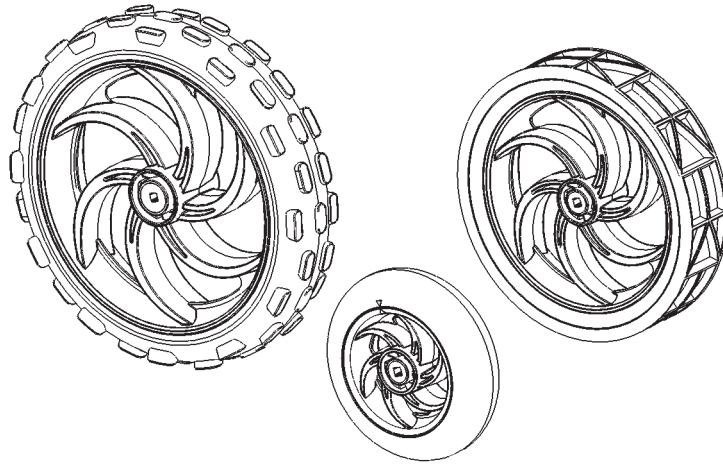
Try cutting off some of the fins of an Intake Roller for better performance on some objects.





## Introduction to the Motion Subsystem, continued

The VEX Motion Subsystem contains a variety of components designed to help make robots mobile. This includes a variety of wheel sizes, tank treads, and other options. Robots using these in different configurations will have greatly varying performance characteristics.



Tank Tread components and wheels can also be used to construct intake mechanisms and conveyor belts. These are frequently used on competition robots.

When designing the Motion Subsystem of a robot it is important to think about several factors:

- First, it needs to be able to perform all the moving functions of the robot.
- Second, it needs to be robust enough to survive normal robot operation; it also needs to be robust enough to survive some abnormal shock loads.
- Third, it needs to be well integrated into the overall robot system.

The Motion Subsystem combines with the Structure Subsystem to form the primary physical parts of the robot. The motion components will be used throughout a robot's construction, and will likely be part of every major robot function. As such, this Subsystem needs to be well thought out in advance.

# Concepts to Understand

## Motors and Servomotors

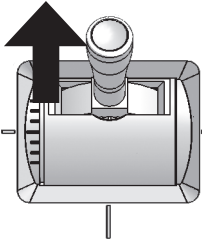
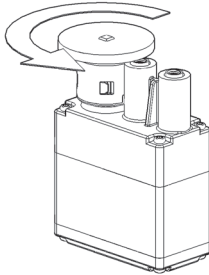
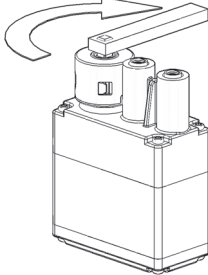
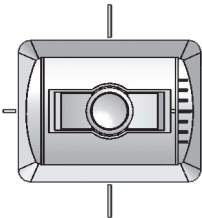
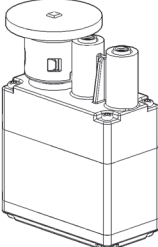
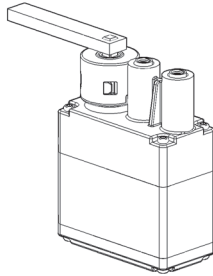
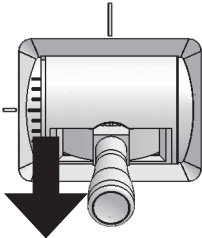
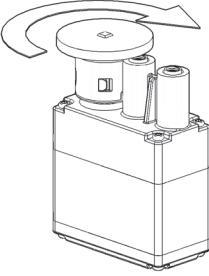
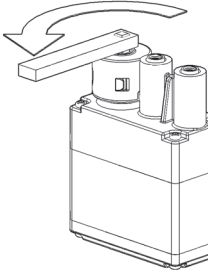
**Motors are devices that can transform electrical energy into mechanical energy.**

That is, they take electrical power, and create physical motion. In the VEX system, they are further divided into two main types: standard motors and servomotors.

The main difference is very clear and straightforward. Standard motors spin the attached axle around and around, while servomotors turn the axle to face a specific direction within their range of motion (120 degrees for the VEX servo module).

Note also that given the same transmitter command, the VEX motor modules and VEX servo modules rotate their shafts in opposite directions. This minor difference is due to the internal motor designs of the two different modules.

For more information on radio control operation, see the Control Subsystem section of the Inventor’s Guide.

TRANSMITTER COMMAND	MOTOR BEHAVIOR	SERVOMOTOR BEHAVIOR
		
		
		

**Note: The easiest way to tell the difference between a VEX Motor and a VEX Servo is to read the text on the back. They are labeled “Motor Module” and “Servo Module”.**

## Concepts to Understand, continued

### Motors and Servomotors, continued

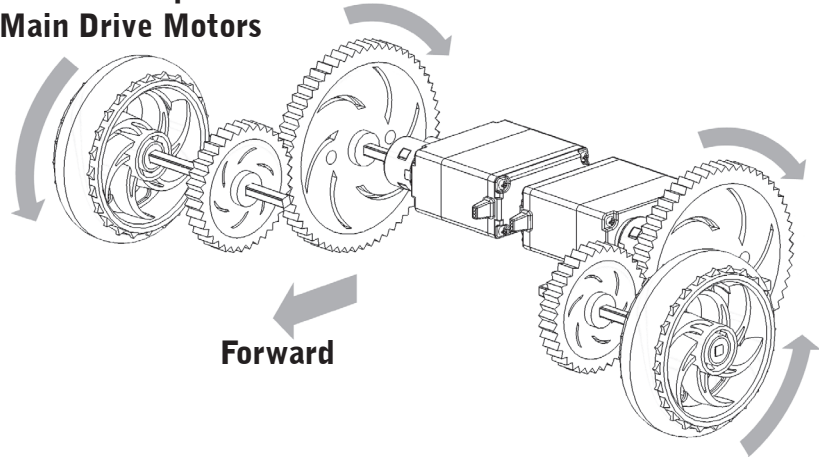
#### Using Motors and Servos

While similar in appearance, motors and servomotors are suited to distinctly different types of tasks.

Motors should be used whenever continuous rotation is needed, such as in a robot's main drive system.

Servomotors can only be used in cases where the boundaries of motion are well-defined, but have the invaluable ability to self-correct to maintain any specific position within those boundaries.

#### Motor Example: Main Drive Motors

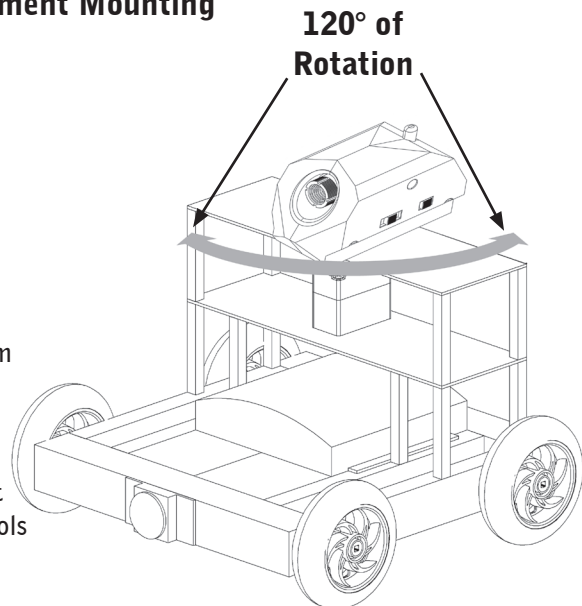


Use motors to power the robot's drive wheels. The wheels need to make continuous full rotations, which is exactly the kind of motion provided by the motors. Rotation for forward motion is shown.

#### Servomotor Example: Directable Attachment Mounting

Use a servomotor to control the aim of a platform on top of the robot (shown with a wireless camera for illustrative purposes).

The servomotor allows you to turn the platform to face a specific direction relative to the robot, and will automatically hold that position until the controls are released.



**Note:** The easiest way to tell the difference between a VEX Motor and a VEX Servo is to read the text on the back. They are labeled “Motor Module” and “Servo Module”.

## Concepts to Understand, continued

### Speed vs. Torque

A motor can generate a set amount of power; that is, it can provide a specific amount of energy every second—this energy is most commonly used to make a wheel spin. Since there is only so much energy to go around, however, there is an inherent trade-off between **Torque**—the force with which the motor can turn the wheel—and **Speed**—the rate at which the motor can turn the wheel.

The exact configuration of torque and speed is usually set using gears. By putting different combinations of gears between the motor and the wheel, the speed-torque balance will shift.

### Gears

#### Gear Ratio

You can think of gear ratio as a “multiplier” on torque and a “divider” on speed. If you have a gear ratio of 2:1, you have twice as much torque as you would if you had a gear ratio of 1:1, but only half as much speed.

Calculating the gear ratio between a pair of gears is simple. First, identify which gear is the “driving” gear, and which is the “driven” gear. The “driving” gear is the one that is providing force to turn the other one. Often, this gear is attached directly to the motor axle. The other gear, the one that the driving gear is turning, is called the “driven” gear.

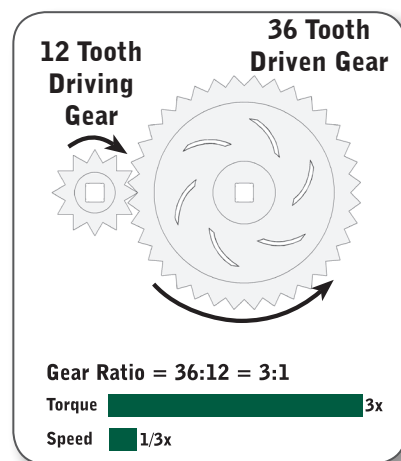
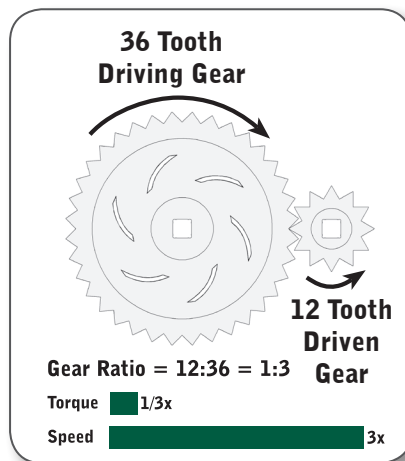
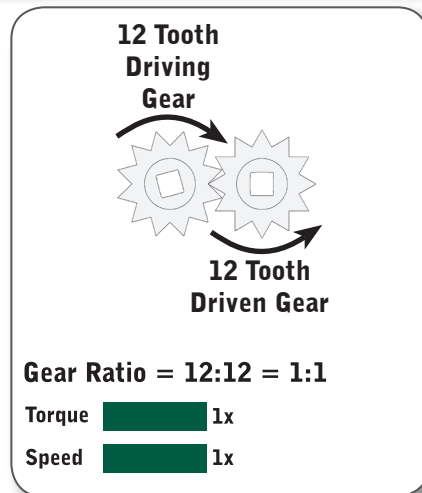
To find gear ratio, you just need to count the number of teeth on the “driven” gear, and divide it by the number of teeth on the “driving” gear.

#### Mechanical Advantage –

The ratio of the force a machine can exert to the amount of force that is put in. Mechanical advantage can also be thought of as the “force multiplier” factor that a mechanical system provides.

If a vehicle has a gear train with a mechanical advantage of 2, for instance, it has twice as much force available to it, enabling it to go up hills that are twice as steep, or tow a load that is twice as heavy.

This additional force is never “free.” It always comes at the expense of something else, such as speed. Also note that mechanical advantages are frequently fractional, indicating that force is being sacrificed for speed or some other similar performance factor in a system.



### Gears, continued

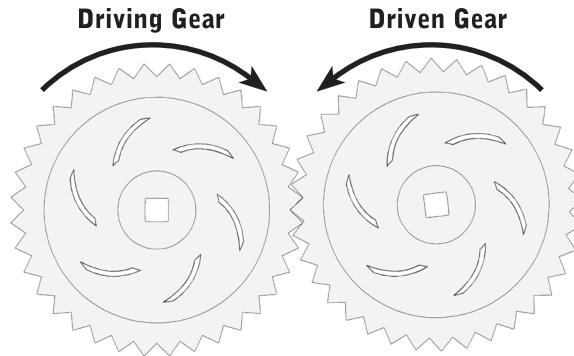
#### Idler Gears

Gears can be inserted between the driving and driven gears. These are called idler gears, and they have no effect on the robot's gear ratio because their gear ratio contributions always cancel themselves out (because they are a driven gear relative to the first gear, and a driving gear relative to the last gear—you would first multiply by the number of teeth on the idler gear and then divide by the same number, which always cancels out).

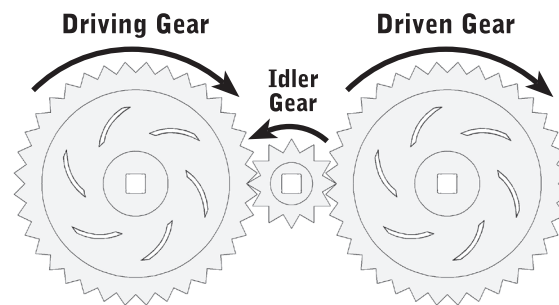
However, idler gears do reverse the direction of spin. Normally, the driving gear and the driven gear would turn in opposite directions. Adding an idler gear would make them turn in the same direction. Adding a second idler gear makes them turn in opposite directions again.

Idler gears are typically used either to reverse the direction of spin between two gears, or to transmit force from one gear to another gear far away (by using multiple idler gears to physically bridge the gap).

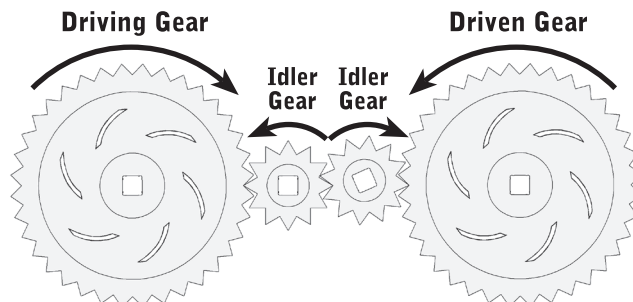
#### No Idler – Opposite Direction



#### One Idler – Same Direction



#### Two Idlers – Opposite Direction



## Concepts to Understand, continued

### Gears, continued

#### Compound Gear Ratio

Compound gears are formed when you have more than one gear on the same axle. Compound gears are not to be confused with idler gears, as compound gears can affect the overall gear ratio of a system!

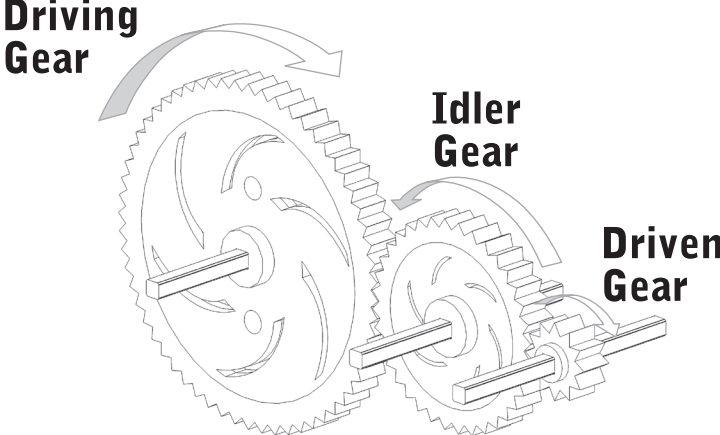
In a compound gear system, there are multiple gear pairs. Each pair has its own gear ratio, but the pairs are connected to each other by a shared axle.

The resulting compound gear system still has a driving gear and a driven gear, and still has a gear ratio (now called a "compound gear ratio").

The compound gear ratio between the driven and driving gears is then calculated by multiplying the gear ratios of each of the individual gear pairs.

Compound gears allow configurations with gear ratios that would not normally be achievable with the components available. In the example above, a compound gear ratio of 1:25 was achieved using only 12 and 60-tooth gears. This would give your robot the ability to turn an axle 25 times faster than normal (though it would only turn with 1/25th of the force)!

### Non-Compound Gear



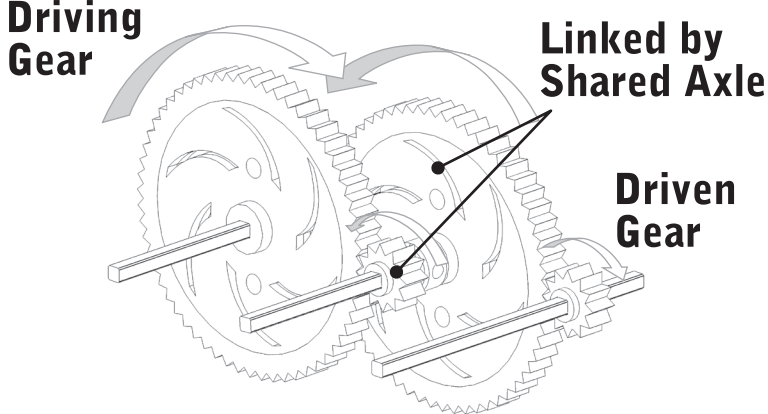
**Driving Gear**      **Idler Gear**      **Driven Gear**

**Gear Ratio = 60:12 = 5:1**

Torque  1/5x

Speed  5x

### Compound Gear



**Driving Gear**      **Linked by Shared Axle**      **Driven Gear**

**Compound Gear Ratio:**  
 $12:60 \times 12:60 = 1:5 \times 1:5 = 1:25$

Torque  1/25x

Speed  25x

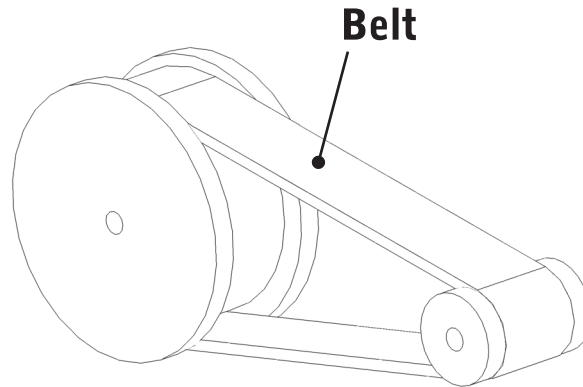
### Gears, continued

#### Gear ratio with non-gear systems

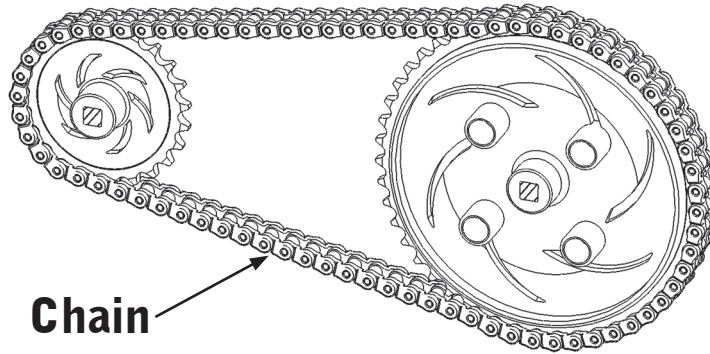
The real nature of gear ratios is a little more complex than just counting teeth on gears. Gear ratio is actually defined as the number of rotations that the driving axle needs to make in order to turn the driven axle around once. When dealing with toothed gears or sprockets, you can find the number of turns needed by counting teeth, as you have seen previously (see "Gear ratio").

With other types of systems, you can still find the "gear ratio" by measuring the number of rotations on the driven and driving axles. Some of these other drive types include belt-and-pulley drives and chain-and-sprocket drives.

Belt or chain drives are often preferred over gears when torque is needed to be transferred over long distances. Unlike spur gear reductions, Sprocket and Chain reductions do NOT reverse rotation.



**Belt Drive**



**Chain Drive**

## Concepts to Understand, continued

### Wheels

#### Wheel Sizes

Often, the role of the Motion Subsystem on a robot will be to move the robot along the ground. The last step in the drive train, after the motors and gears, is the wheels.

Like motors and gears, different properties of the wheel will affect your robot's performance. The size of the wheels will be an important factor here, and will affect two distinct and different characteristics of the robot: its acceleration, and its top speed.

#### Wheel Sizes and Acceleration

The relationship between wheel size and acceleration is simple: bigger tires give you slower acceleration, while smaller tires give you faster acceleration.

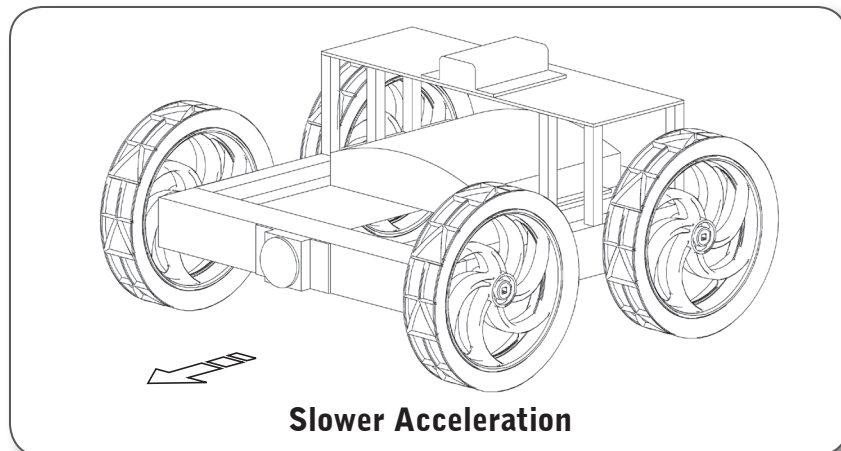
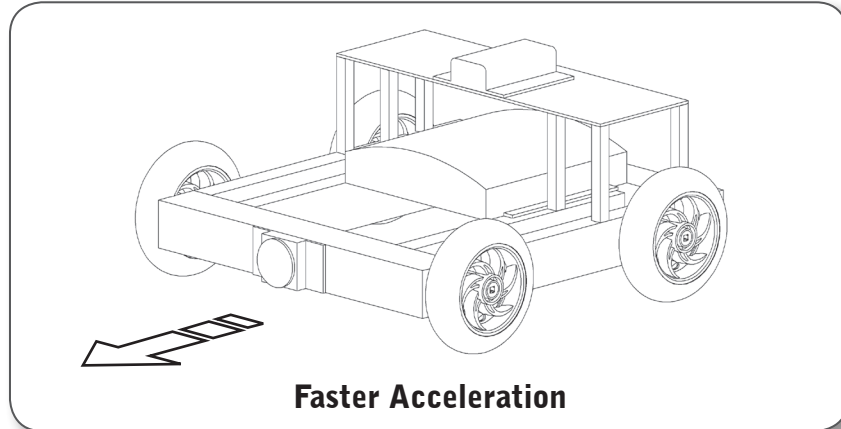
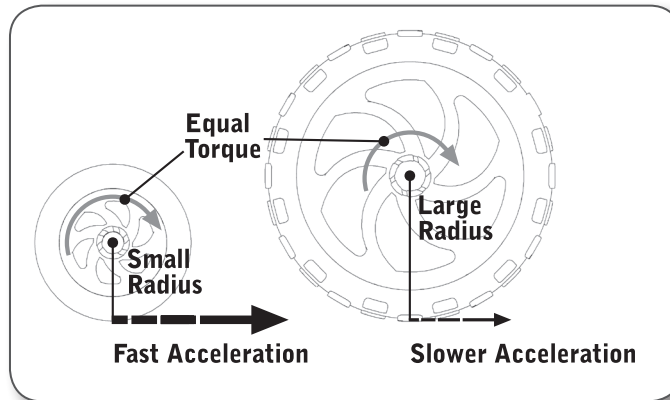
This relationship is the product of the physics of converting the spinning motion of a motor into the forward or reverse motion of the vehicle.

Motors generate a "spinning" force (torque), which wheels convert into a "pushing" force at the point where they contact the ground. The larger this "pushing" force is, the faster the robot will accelerate.

The relationship between torque and force is:

$$\text{Force} = \frac{\text{Torque}}{\text{Wheel Radius}}$$

A larger radius will produce a smaller force for the same amount of torque, hence the larger wheel (which has the longer distance) has a smaller force, and hence the slower acceleration.





## Concepts to Understand, continued

### Wheels, continued

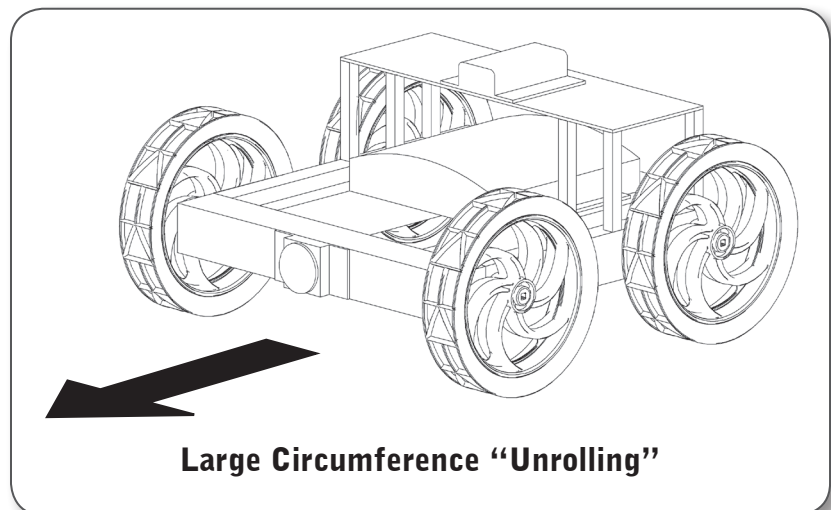
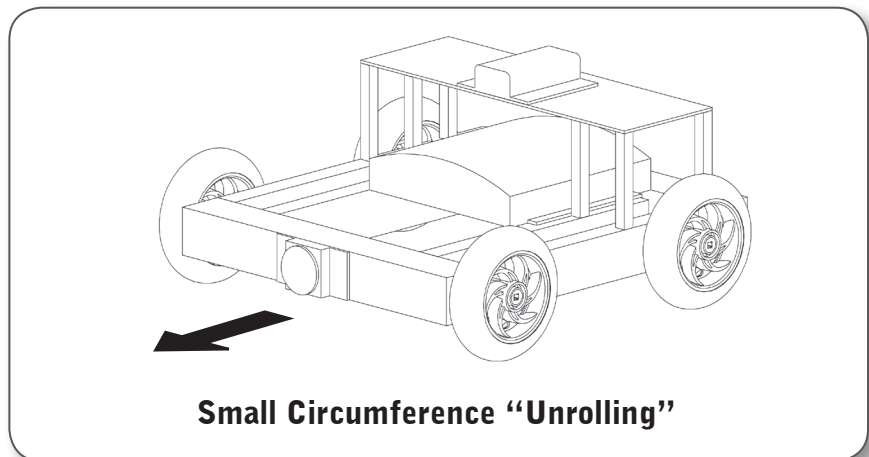
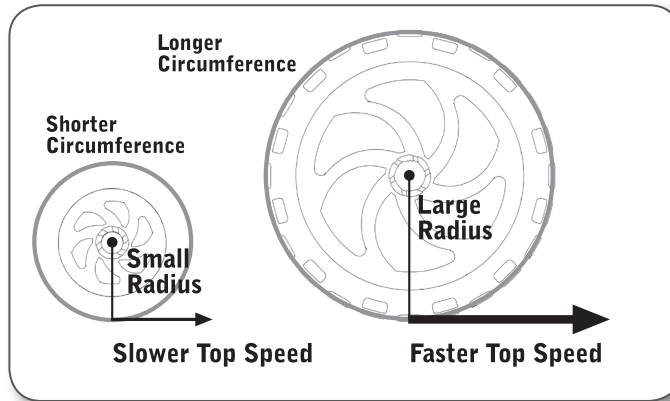
#### Wheel Sizes and Top Speed

Robots may take some time to reach their top speed, especially if they have high gear ratios (high gear ratio = low torque), but eventually, they tend to reach it, or at least come close.

When a wheel rolls along the ground, it is effectively “unrolling” its circumference onto the surface it is traveling on, every time it goes around. Larger wheels have longer circumferences, and therefore “unroll” farther per rotation.

Putting these two observations together, you can see that a robot with larger wheels will have a higher top speed. The robot with larger wheels goes farther with each turn of the wheels. At top speed, robots with the same motor and gears will have their wheels turning the same number of times per second. Same number of turns times more distance per turn equals more distance, so the robot with larger wheels goes faster.

$$\text{Speed} = \text{Circumference} \times \frac{\text{turns}}{\text{second}}$$



Notice that this sets up a tough design decision, since you need to decide on a balance between acceleration and top speed when choosing a wheel size. You can't have it both ways, so you'll need to plan ahead, decide which is more important to your robot, and choose wisely.

## Concepts to Understand, continued

### Wheels, continued

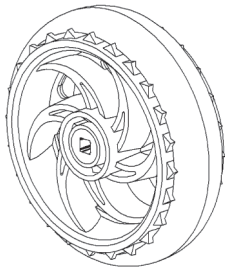
#### Friction

Friction occurs everywhere two surfaces are in contact with each other. It is most important when considering the wheels for your robot, however, because you will need to decide how much friction you want in order to maximize your robot's performance.

Wheel friction has both positive and negative consequences for your robot. On the one hand, friction between the wheel and the ground is absolutely essential in getting the robot to accelerate. Without friction, your robot would spin its wheels without going anywhere, like a car stuck on a patch of ice. Friction between the wheels and the ground gives the robot something to "push off" of when accelerating, decelerating, or turning.

On the other hand, wheel friction is also responsible for slowing your robot down once it is moving. A robot running over a sticky surface will go slower than one running over a smooth one, because the friction dissipates some of the robot's energy.

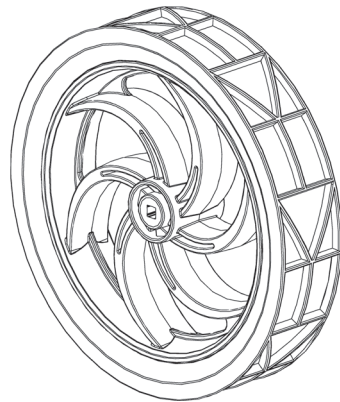
#### For a Given Surface:



**2.75" Wheel**

Acceleration  Faster

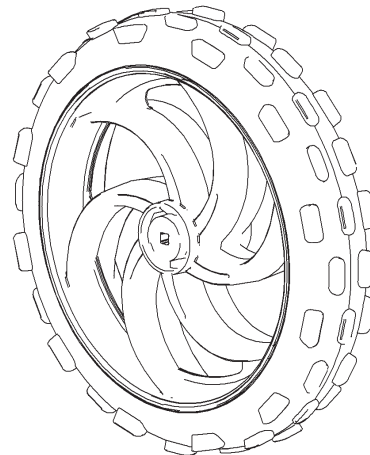
Traction  Slippery



**4" Wheel**

Acceleration  Medium

Traction  Medium



**5" Wheel**

Acceleration  Slower

Traction  Heavy Grip

Often there will be tradeoffs during wheel selection.

As shown above, wheel characteristics will vary greatly depending on the surface it is driving on. Some wheels which will perform well on carpet would not be as good on loose gravel.

The width, texture, and material of a tire all contribute to its friction characteristics. Again, there is no "best" solution. Rather it is a matter of picking the tire best suited to the robot's task, and the surface it will drive on.

## Concepts to Understand, continued

### Wheels, continued

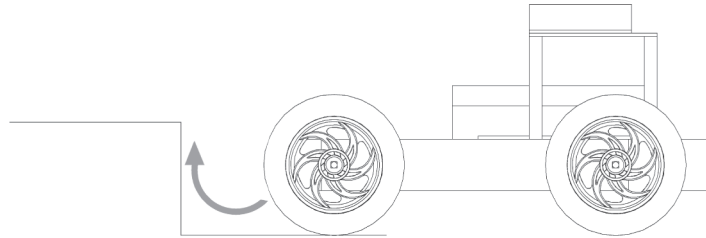
#### Terrain

Sometimes robots will come across physical objects that must be traversed. Both the size of a tire and the amount of friction it generates will be very important in ensuring that you can successfully navigate over them. These obstacles may be numerous and complex, so you will need to plan for them, and test your solutions to make sure that they work reliably.

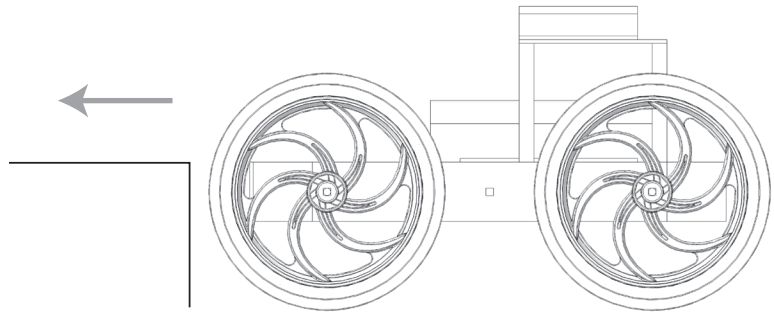
Drive trains can have a variety of functions. Be sure to design accordingly for what your robot will encounter. Remember the tradeoffs shown in this chapter and choose designs based on what your robot needs most.

**NOTE:** On some surfaces it is good to spread the robot load over multiple tires or a larger surface area to prevent it from sinking. Think of how snowshoes work.

#### Example 1: Robot attempting to climb a step



The robot with smaller wheels has a much steeper angle to climb – in fact, it’s a sheer vertical face.

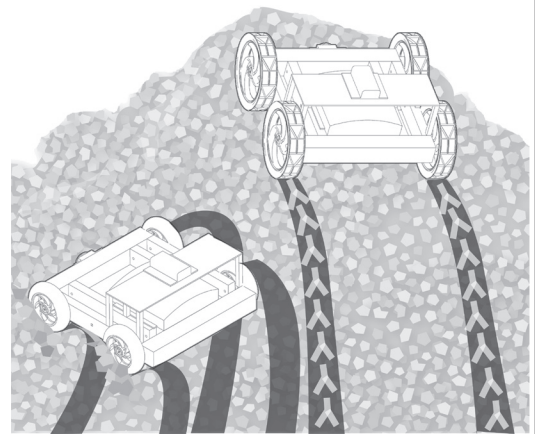


The robot with larger wheels has a much less difficult angle to climb to get up the step. This robot is much more likely to succeed.

#### Example 2: Robots attempting to climb a gravel hill

The robot with slippery tires cannot get enough traction to climb the hill and slides off.

The robot with wheels that dig into the gravel can make it up the hill.



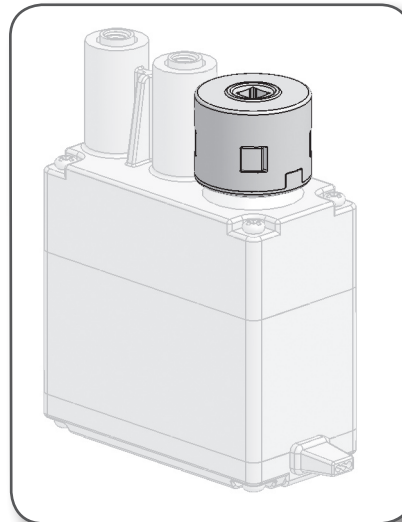
## Concepts to Understand, continued

### Clutches

#### Clutches

Every motor in the VEX Robotics Design System comes with a pre-attached clutch module. These clutch modules are designed to protect the gears internal to the motor from "shock-loads".

- The motor, even in a stall situation, **CANNOT** exert enough force to break the internal gears.
- The gears will break in some applications when the motor is under significant load, over a short duration of time (a shock-load).
  - The clutch is designed to absorb some of this energy in these situations by "popping" and giving way. This will protect the motor.
  - When a clutch "pops" it is briefly releasing the connection between the shaft and the motor.



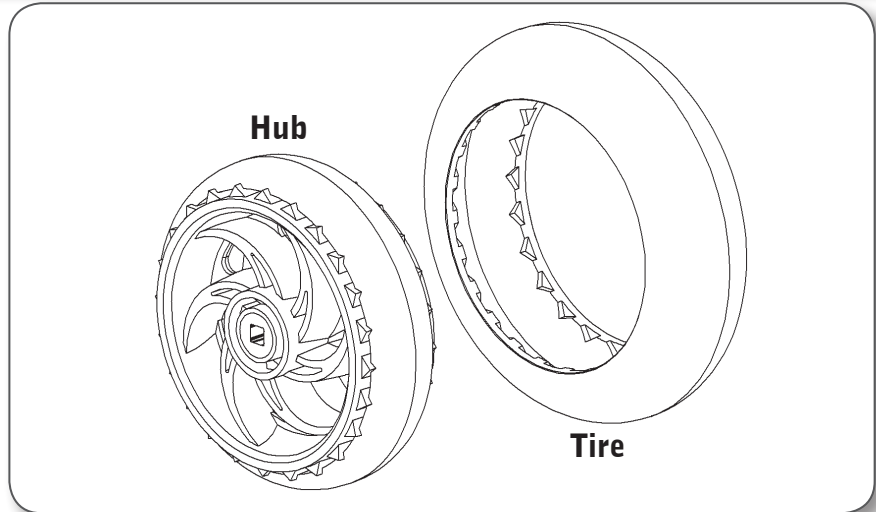
- **When a clutch pops, it is doing its job.**
  - **When a clutch pops, it is a sign that there is something wrong with the robot design.**
- 
- When a robot is designed such that the load on the motor is minimized (using gearing to reduce the load) there shouldn't be any popping clutches.
  - Once a clutch pops for the first time, it is easier for it to pop every time after that; for some robotics applications it may be necessary to regularly replace clutches in key areas.
  - There are some applications which do not need a clutch, however using a clutch is **ALWAYS** recommended. Any motor without a clutch is at risk of internal damage.

Spare clutches are available from [www.VEXrobotics.com](http://www.VEXrobotics.com)

### Motion Part Features

#### Hub and Tire

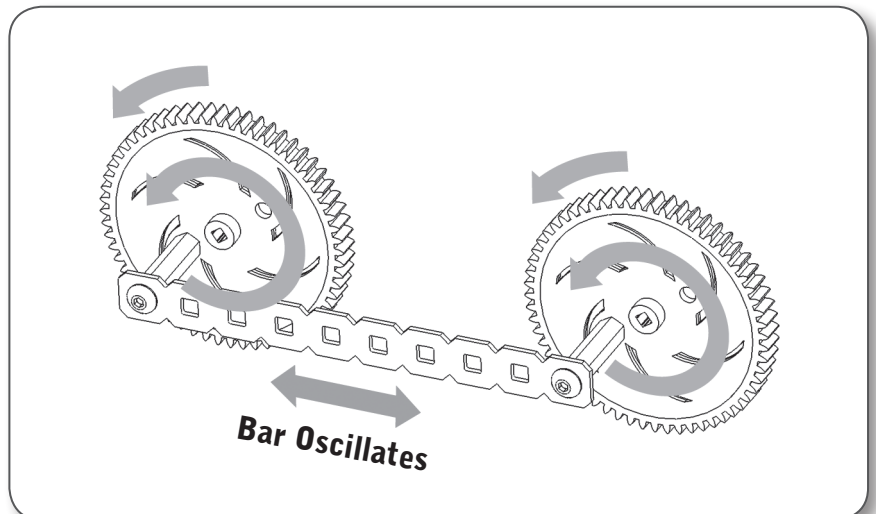
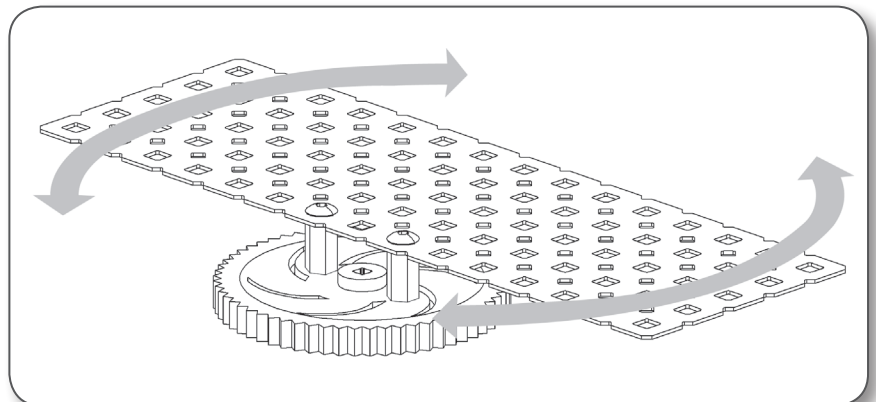
Most wheels in the VEX Robotics Design System are actually two wheels in one. By pulling off the rubbery green tire surface, the grey hubs can be used directly in different applications on your robot.



#### Non-Axial Mounting Points

In addition to the central hole for the gear shaft, some gears in the VEX Robotics Design System have a number of additional off-center mounting holes.

These mounting points have a number of applications. For instance, a larger structure could be built on top of the gear, which would rotate as the gear turned. Alternately, the "orbiting" motion of a non-axial mount can be used to create linear motion from rotational motion.



## Concepts to Understand, continued

### Motor Gear Replacement

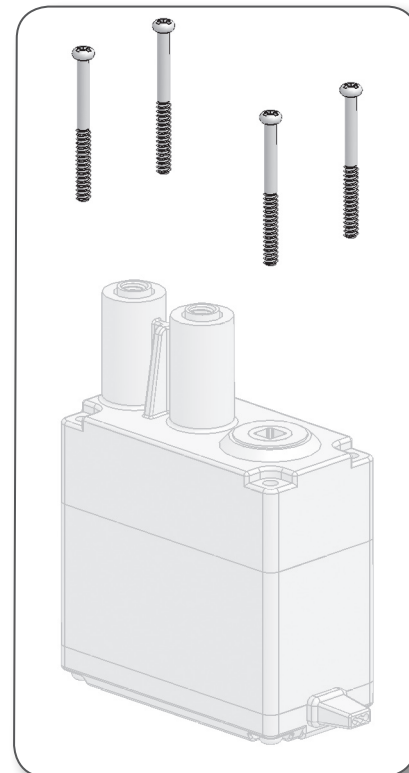
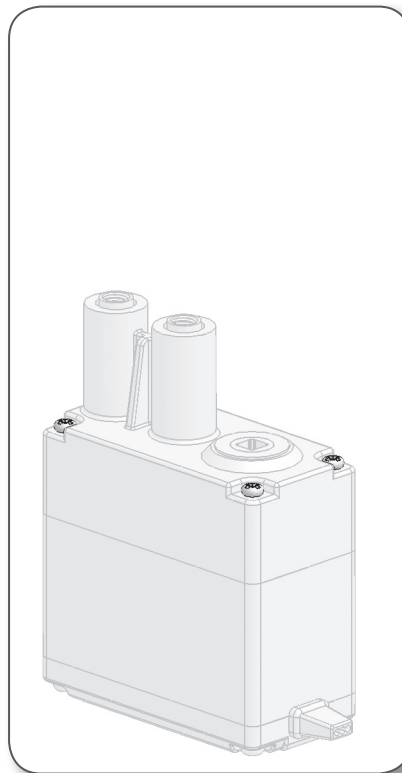
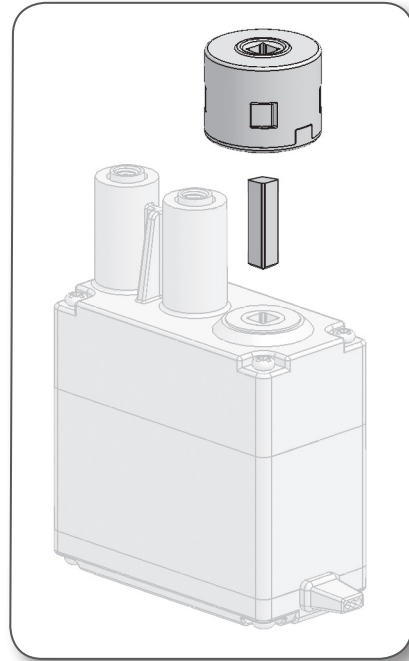
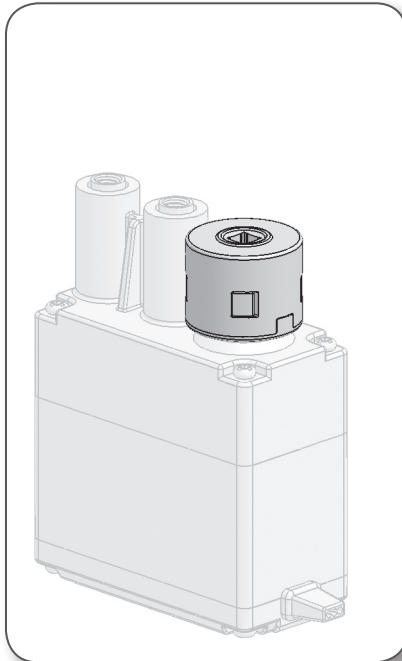
#### Gear Wear and Tear

Gears often bear tremendous amounts of stress in a moving system. The gears inside the motors, in particular, are subjected to large amounts of wear and tear during use in robotics applications where they are frequently required to reverse direction quickly (to make the robot go the other way, for instance).

Inevitably, these gears will wear out and need replacement. Replacement gears come with Motor Kit and are also available from [www.VEXrobotics.com](http://www.VEXrobotics.com), so you can perform the necessary repairs when needed.

To replace the gears in a motor or servo motor, follow these instructions:

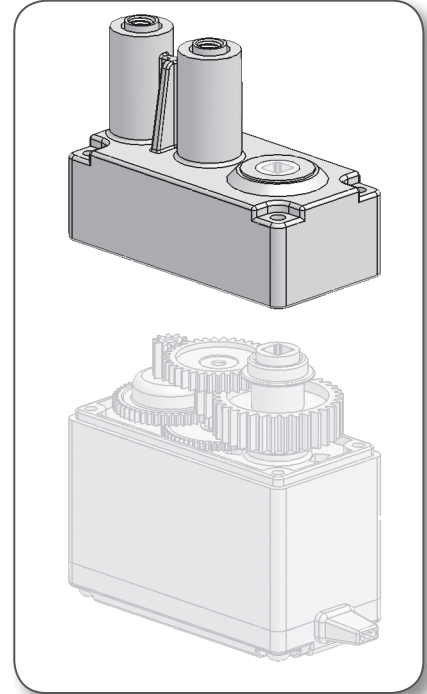
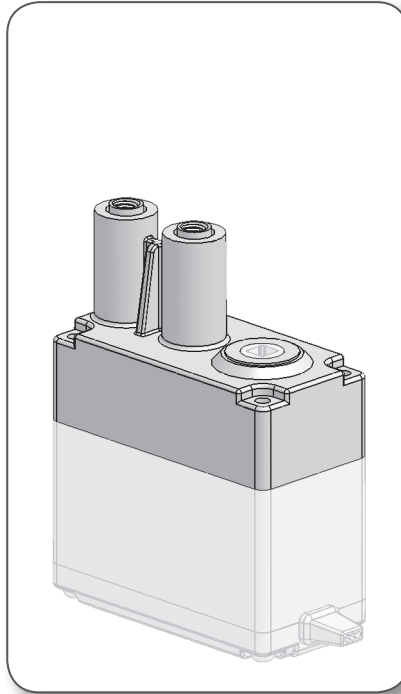
1. (top of page) Remove the clutch and clutch post.
2. Remove the four screws in the corners of the front of the motor case.



## Concepts to Understand, continued

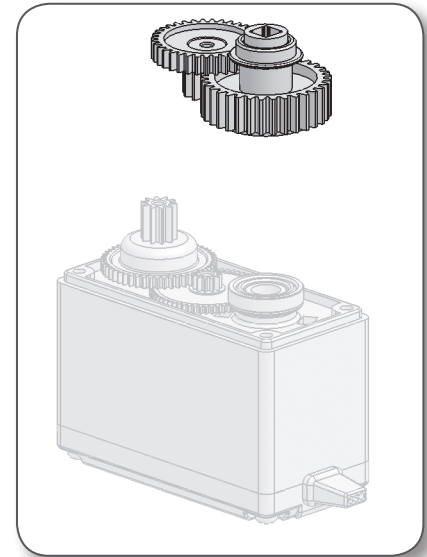
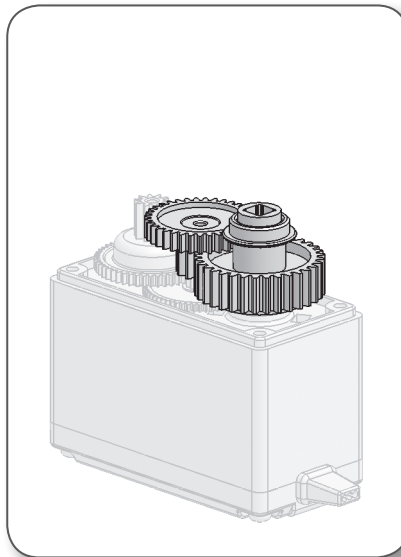
### Motor Gear Replacement, continued

3. Gently lift off the top cover. Try to do so without disturbing the gears inside, so you can see the proper configuration for later reference.



4. Remove the middle gear and the large shaft gear together.

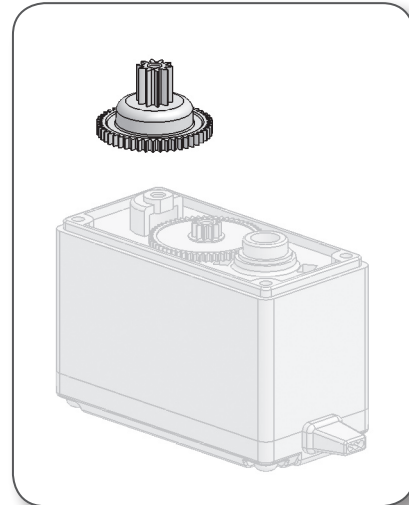
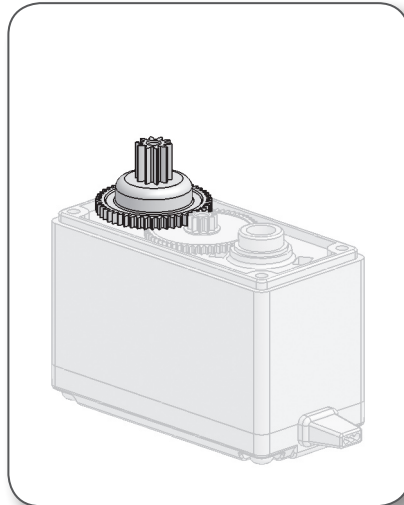
\*Be careful when handling gears, as they are coated with a layer of lubricant that helps them turn smoothly. Wash your hands after handling the gears!



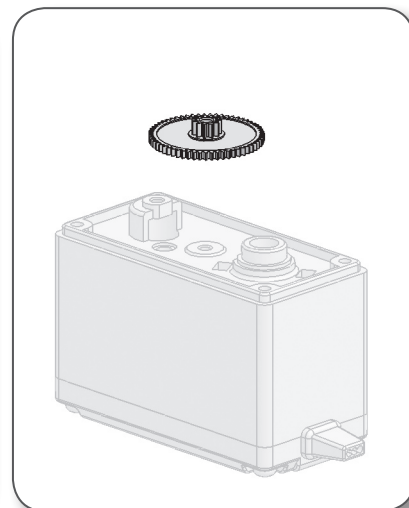
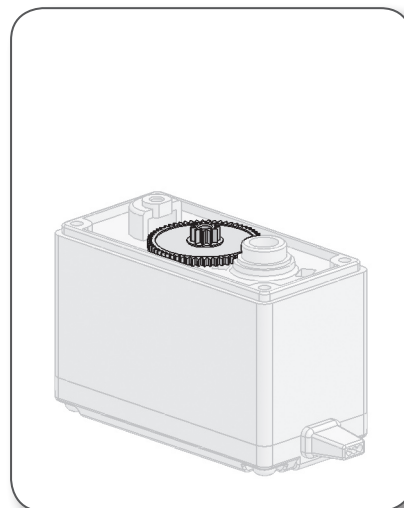
## Concepts to Understand, continued

### Motor Gear Replacement, continued

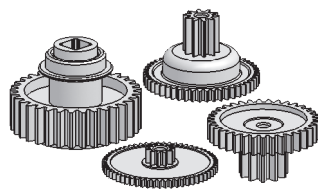
5. Remove the side gear.



6. Remove the thin bottom gear, and carefully wipe the bottom gear deck and the inside of the top case to remove any remaining broken gear fragments.



7. Open the packaging for the replacement gears. Take special care when handling the replacement gears, as they are very small and slippery (they come pre-greased).

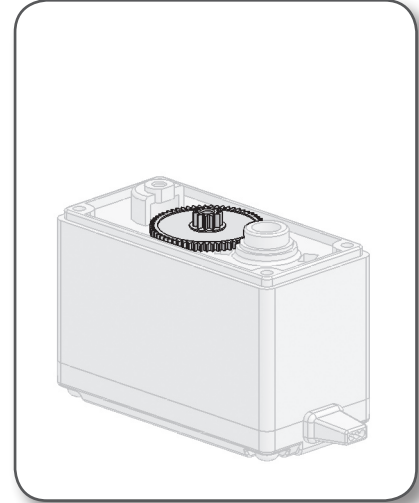
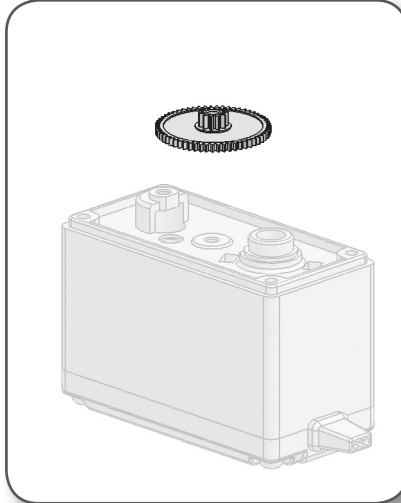


Note: The large black servo motor gear will have a black plastic key underneath the gear's metal bushing (Not shown).

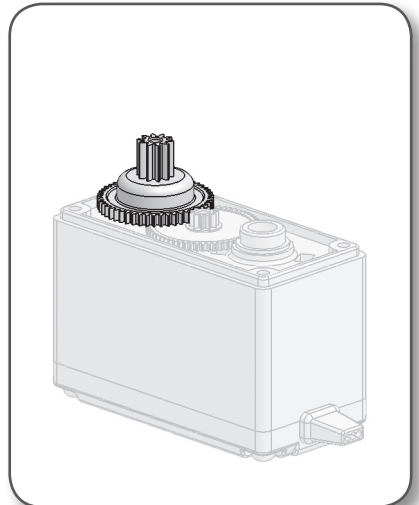
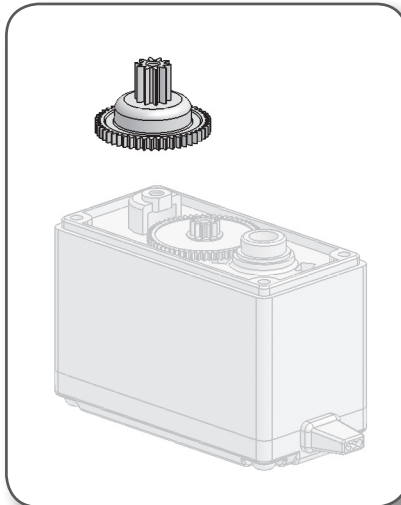


### Motor Gear Replacement, continued

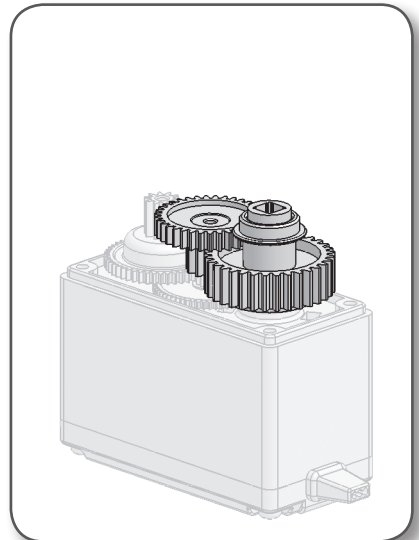
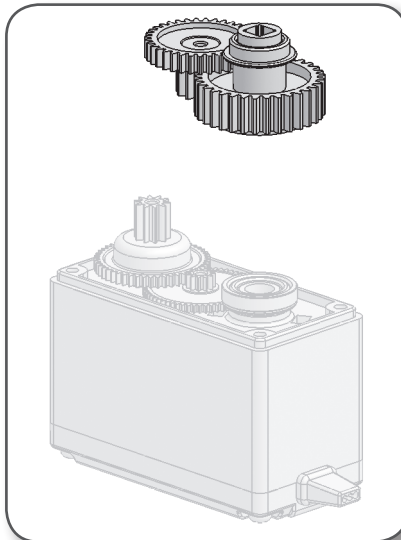
8. Install the replacement thin bottom gear.



9. Install the replacement side gear.



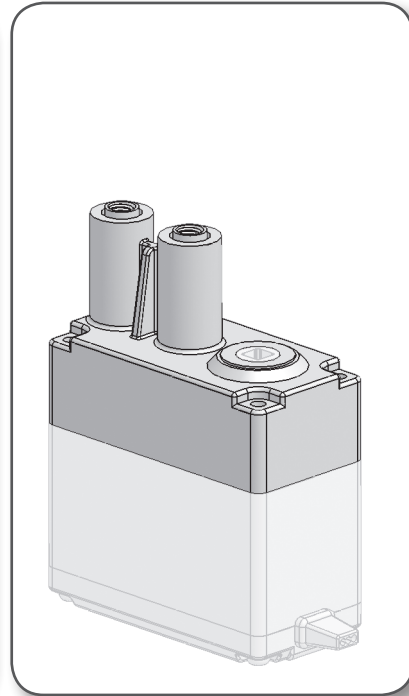
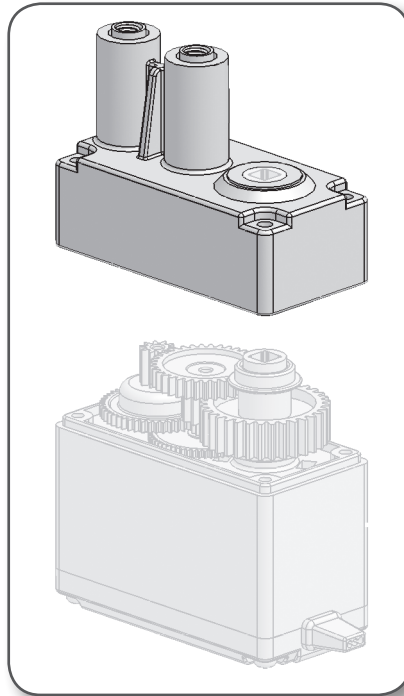
10. Install the replacement middle gear and the replacement large gear together, the same way you took them apart.



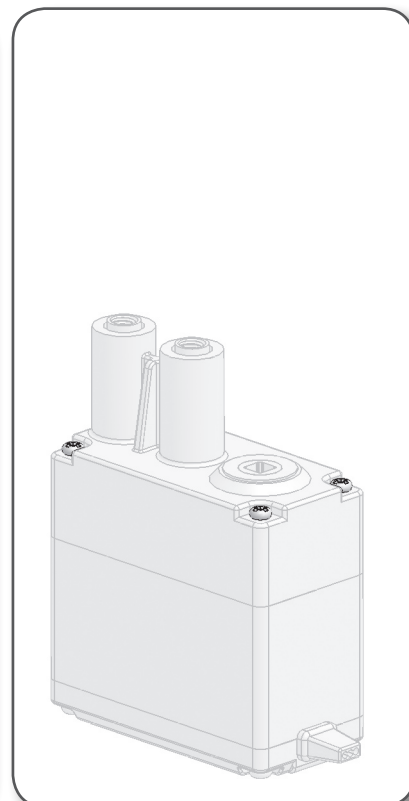
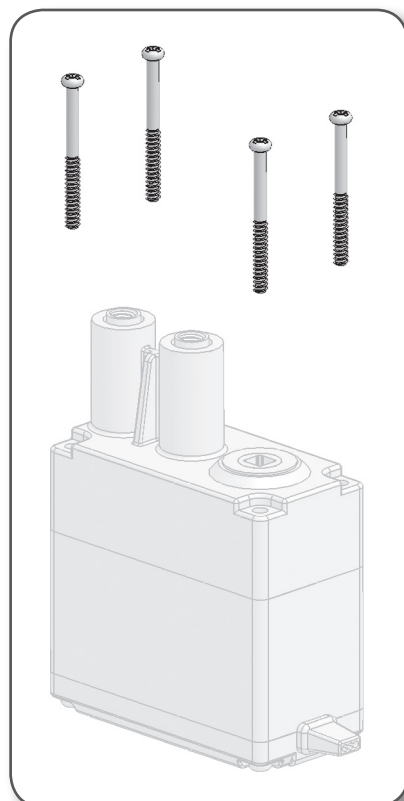
## Concepts to Understand, continued

### Motor Gear Replacement, continued

11. Carefully replace the top cover. Don't disturb the gears, or the motor may not turn properly.



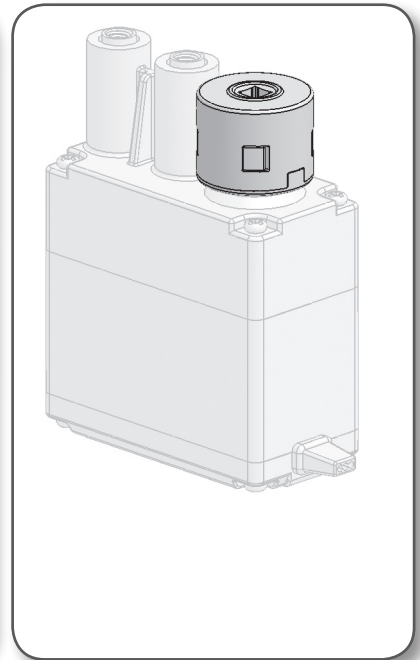
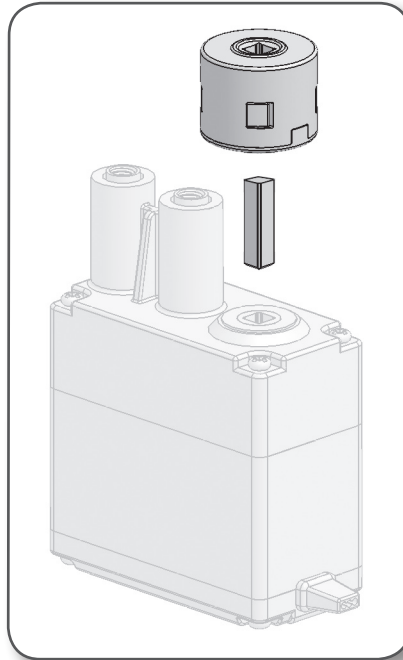
12. Replace the four corner screws.



## Concepts to Understand, continued

### Motor Gear Replacement, continued

13. Replace the clutch and clutch post.



# Subsystem Interactions

## How does the Motion Subsystem interact with...

### ...the Structure Subsystem?

- The motion and Structure Subsystems are tightly integrated in many robots designs. The Motion Subsystem can't be constructed without certain structural components (like the chassis rails) to provide support and positional reference. By the same token, the Structure Subsystem must be designed largely to accommodate the motion components.

### ...the Power Subsystem?

- The Motion Subsystem's motors and servomotors convert electrical energy into physical energy. This electrical energy is ultimately supplied by the Power Subsystem's battery, but the motors do not plug into the battery directly. Rather, the flow of power is directed by the Robot Microcontroller, which decides how much power is allowed to flow from the Power Subsystem to the Motion components.

### ...the Sensor Subsystem?

- Robots often have motors and other Motion components controlled by sensors (for instance, the emergency stop function stops the motors when the bumper switch sensor is pushed). However, the Sensor Subsystem does not directly control the Motion Subsystem. Instead, the Sensors provide information to a program running in the Microcontroller, which takes that information into account, and then decides what command to send to the Motion Subsystem.

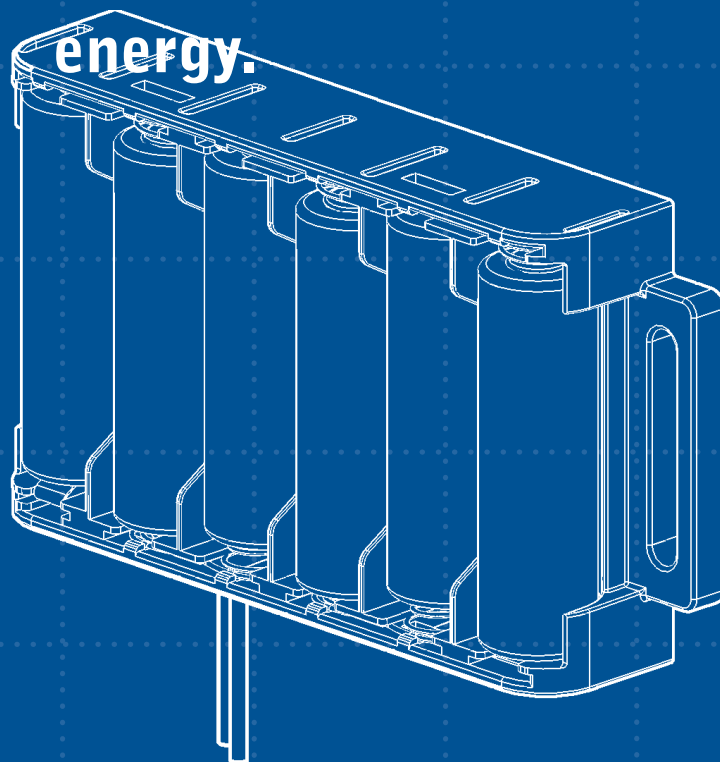
### ...the Control Subsystem?

- Unlike radio-controlled cars, the VEX robot does not directly tie the Control Subsystem into the Motion Subsystem. The commands generated by the operator, using the Transmitter are sent to the RF receiver on the robot. From there the commands are given to a program running in the Microcontroller, which takes this and other information into account when deciding which command to give to the Motion components.

### ... the Logic Subsystem?

- The Motion Subsystem plugs into the Microcontroller, which is the main component in the Logic Subsystem. Though the Motion components are "controlled" to various degrees by user input (Control Subsystem) and sensor feedback (Sensor Subsystem), the final decision on what command is issued, as well as the actual flow of electricity (from the Power Subsystem) is all controlled by the Logic Subsystem. The Logic Subsystem governs everything the Motion components do.

**Power is vital to the operation of all the electronic parts on the robot, including the controller and the motors. With the Structural Subsystem as the robot's skeleton, and the Motion Subsystem as the muscle, the power subsystem is the circulatory system—the heart and blood vessels that provide the rest of the robot with energy.**



# POWER

# Power

## Table of Contents:

---

<b>Introduction to the Power Subsystem</b>	<b>4.2</b>
<b>Concepts to Understand</b>	<b>4.5</b>
<b>Subsystem Interactions</b>	<b>4.15</b>

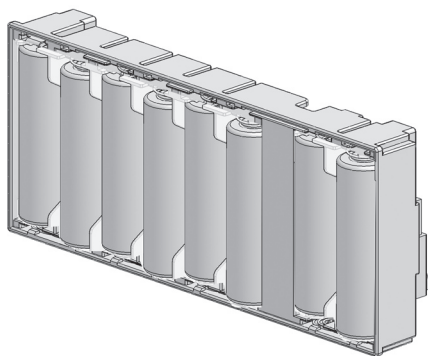
# Introduction to the Power Subsystem

In order for a robot to operate, it needs a power source.

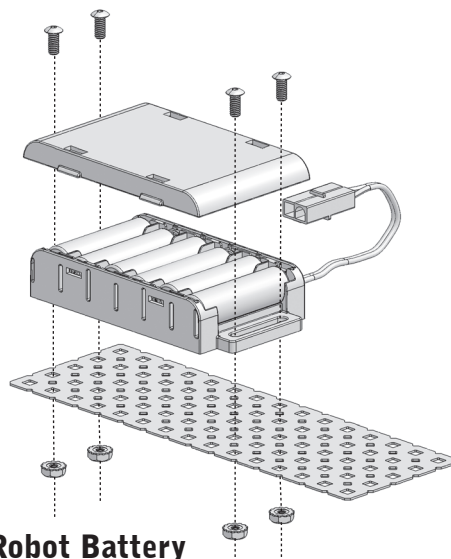
The VEX Robotics Design System has a multitude of power source options.

## AA Batteries

The VEX Robotics Design System was designed such that any user could grab normal batteries off the shelf and get started with their robots right away. You will need (14) AA batteries to operate your robot, (8) for the transmitter and (6) for the robot. The transmitter batteries are installed in the transmitter battery box, which is then inserted into the back of the transmitter. The robot batteries are installed in the battery holder, which is then plugged into your VEX Microcontroller.



**Transmitter  
Battery Box**



**Robot Battery  
Holder**

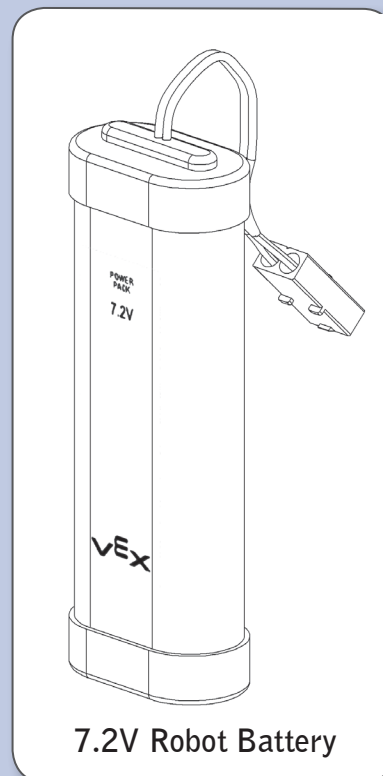
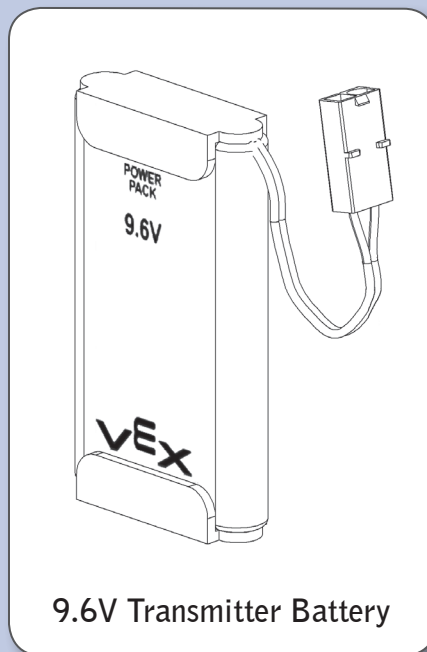
Either NiCd or Alkaline batteries can be used, although it is recommended that you choose NiCd batteries to ensure a higher level of performance.

# Introduction to the Power Subsystem, continued

## VEX Battery Packs

VEX Battery Packs are the recommended power source option for the VEX Robotics Design System. These batteries are designed to handle the large current draw typically associated with VEX robots. There are two types of VEX battery packs, a 9.6V battery pack for the transmitter and a 7.2V battery for the robot. Both batteries are NiCd rechargeable. The transmitter battery pack is plugged into the back of the transmitter and replaces the transmitter battery box. The robot battery pack is plugged directly into the VEX Microcontroller. For detailed installation information please refer to the documentation included with these batteries.

Each VEX battery pack has multiple charging options. Please refer to the documentation included with each VEX battery pack for information on their specific charger.



### Tips for Battery Usage

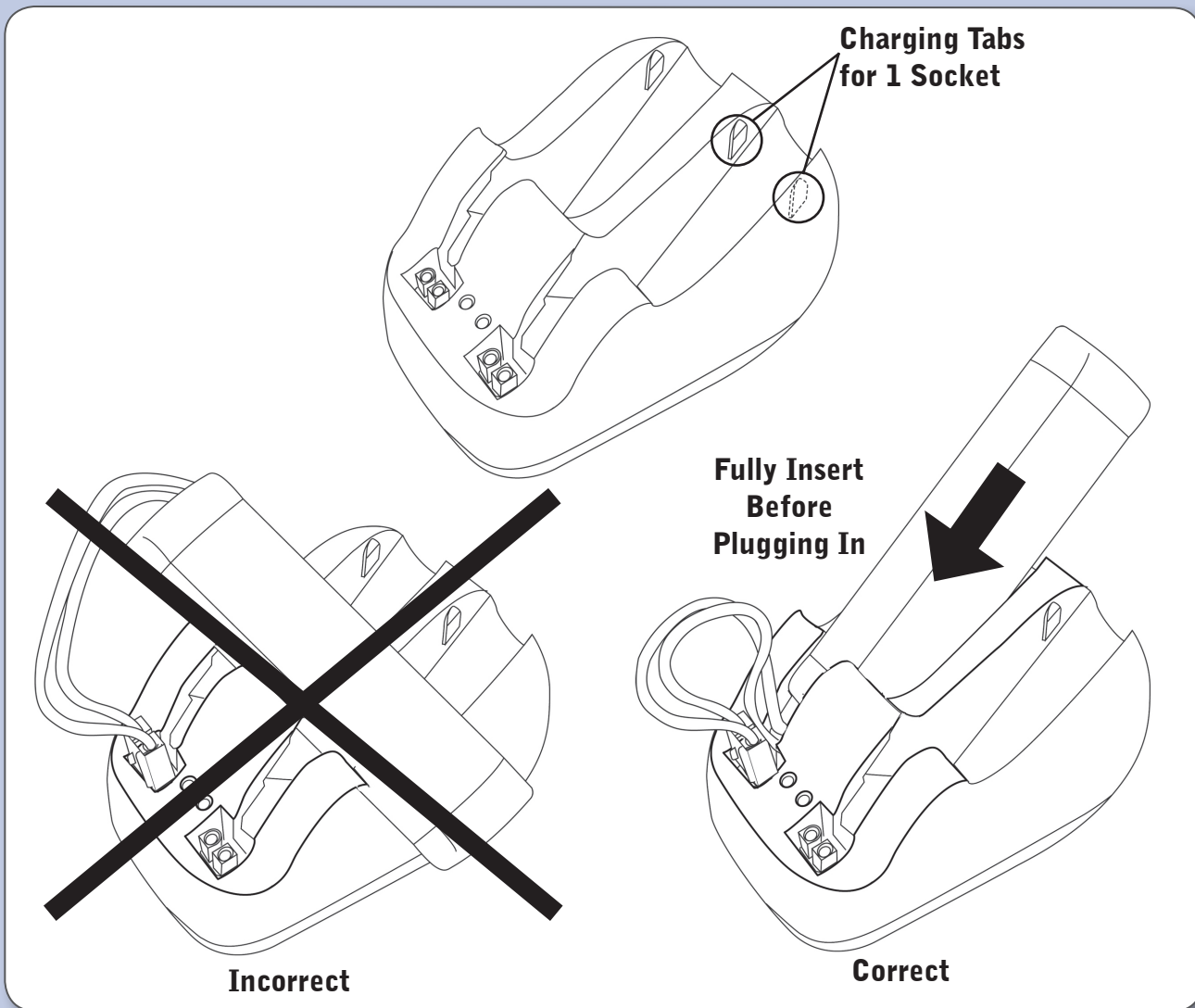
- When using AA batteries:
  - Buy a good set of rechargeable AA batteries
  - Use a high quality battery charger
- Have more than one set of batteries on hand, so you can have batteries on charge while the robot is in use.
- Charge batteries fully before their first use.
- It is important to ensure that a battery is NEVER overcharged. Overcharging can cause damage to the battery, and/or the charger. Never leave batteries charging for an excessive amount of time
- Always charge batteries in an environment between 60 and 85°F.



## Introduction to the Power Subsystem, continued

### VEX Quick Charger

The VEX Quick Charger has the ability to charge both 7.2V Robot Battery Packs & 9.6V Transmitter Battery Packs. There are two tabs inside each charging socket which trigger if the larger 7.2V pack is inserted. When these tabs are triggered, the charger will switch to a 7.2V charge rate, otherwise it will charge at a 9.6V rate.



#### WARNING:

Charging a 7.2V battery at the 9.6V charge rate can cause irreparable damage to the battery pack! **DO NOT CHARGE 7.2V BATTERIES AT THE 9.6V RATE.**

Ensure that all battery packs are **FULLY INSERTED** into the charger **BEFORE** you plug them in.

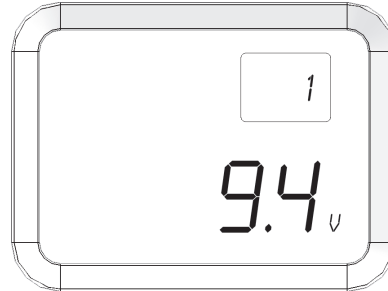
# Concepts To Understand

## Battery Power Indicators

Since there are two sets of batteries in the VEX system, there are two battery power indicators.

One is on the Transmitter, and displays the battery voltage remaining in the transmitter unit.

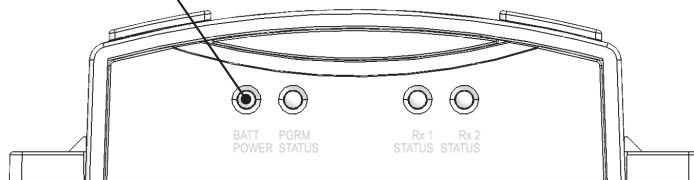
**Note: The Transmitter will also rapidly beep in the event of a low battery.**



Transmitter LED displayed voltage	Indicates...
9.4V	Transmitter batteries somewhat low. You will need to stop soon.
8.9V	Transmitter batteries very low (10 minutes or less remaining), stop unless absolutely necessary.
8.5V	Transmitter batteries depleted. Stop now.

The other indicator is the "Batt. Power" light on the front of the Microcontroller, which tells you when the batteries on board the robot need to be recharged. Sometimes this light may be green but will turn red when motors are being used. In this case the battery needs to be recharged.

**Battery Power Indicator Light**



Battery Power Light Color	Indicates...
Green	Onboard robot batteries are OK.
Red	Onboard batteries need to be recharged.

## Concepts To Understand, continued

### Battery Types

Due to the large amount of current that the robot will draw from the batteries, we recommend NiCd batteries for use with the VEX robot.

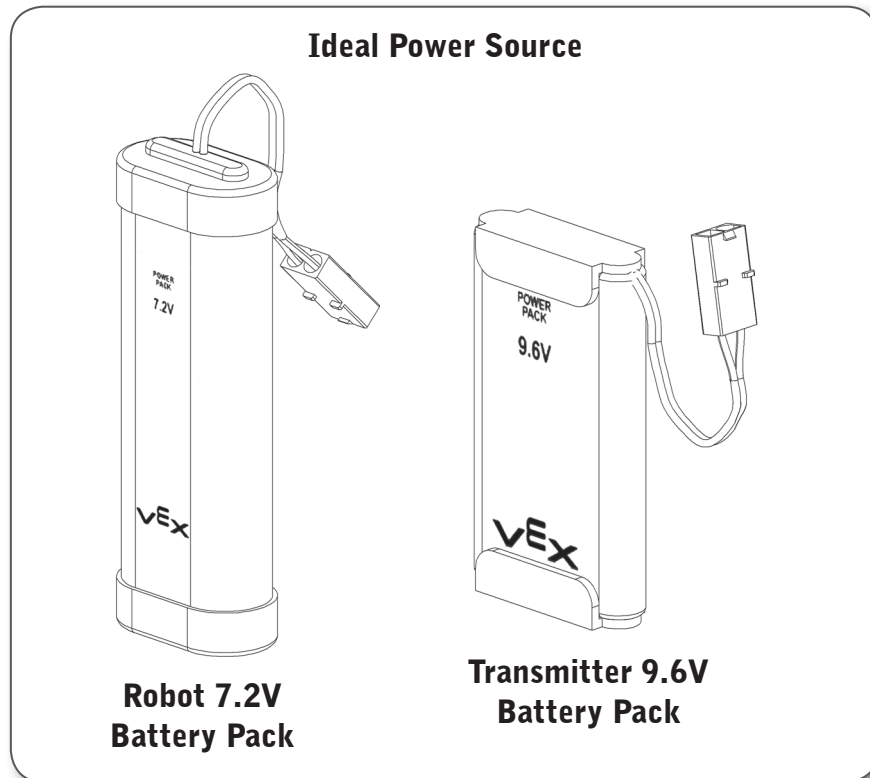
#### VEX Battery Packs

The best way to provide for the energy needs of the VEX robot is with the VEX battery packs. There are two options: a 7.2V battery pack for the robot, and a 9.6V battery pack for the radio transmitter unit.

The robot battery pack contains NiCd (Nickel-Cadmium chemical composition) rechargeables that provide significantly more energy than comparable AA NiCd batteries.

Both VEX Battery Pack's cells will provide a constant reliable voltage until they are exhausted. Contrary to popular belief, NiCd batteries do not suffer from any sort of permanent "memory effect" (see Battery Care later in this chapter).

For installation and charging instructions, consult the documentation included with the VEX Battery Packs.



## Concepts To Understand, continued

### Battery Types, continued

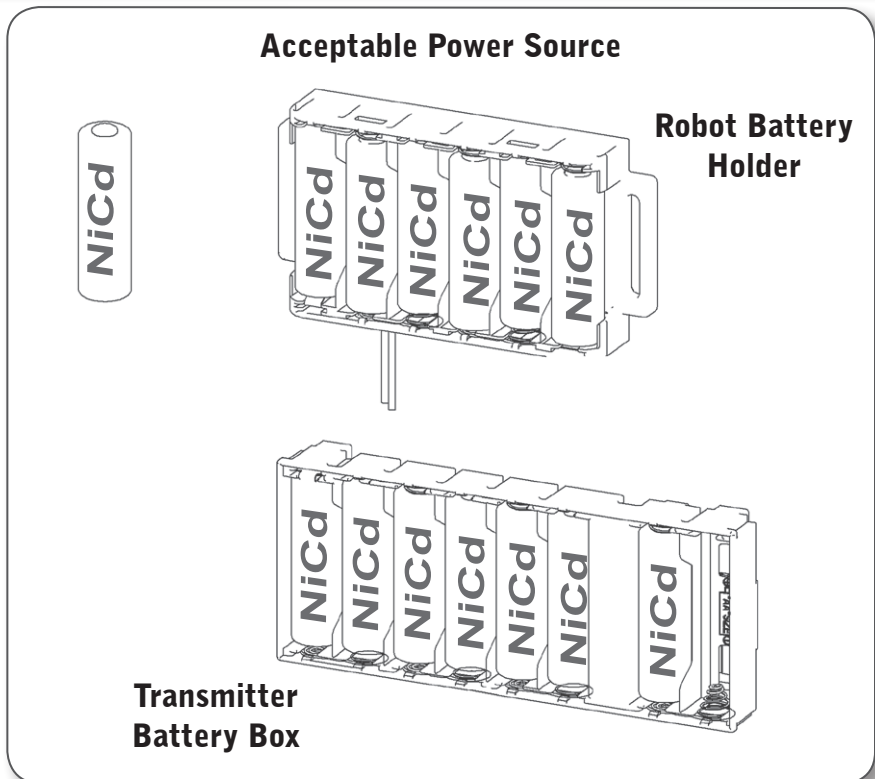
#### NiCd Rechargeable AA batteries

NiCd (Nickel-Cadmium chemical composition) AA batteries are recommended for use in the VEX Robotics Design System. Modern NiCd batteries do not suffer from any sort of permanent memory effect.

You will need to purchase six AA batteries for the Microcontroller and eight AA batteries for the Transmitter (14 batteries total). You will also need to purchase a NiCd battery recharger (be sure to get one that specifically charges NiCd batteries).

For battery installation instructions, see the beginning of this chapter.

Note: Disposing of NiCd rechargeable batteries in the trash is illegal in many countries and states.



**Important:** The EPA certified RBRC® Battery Recycling Seal on the nickel-cadmium (NiCd) battery indicates Innovation First, Inc. voluntarily participates in an industry program to collect and recycle these batteries at the end of their useful life, when taken out of service in the United States or Canada. The RBRC program provides a convenient alternative to placing used NiCd batteries into the trash or the municipal waste stream, which may be illegal in your area. Please call 1-800-8-BATTERY for information on NiCd battery recycling and disposal bans/restrictions in your area. Innovation First's involvement in this program is part of the company's commitment to preserving our environment and conserving our natural resources.

### Battery Types, continued

#### Alkaline Rechargeable and Non-rechargeable AA batteries

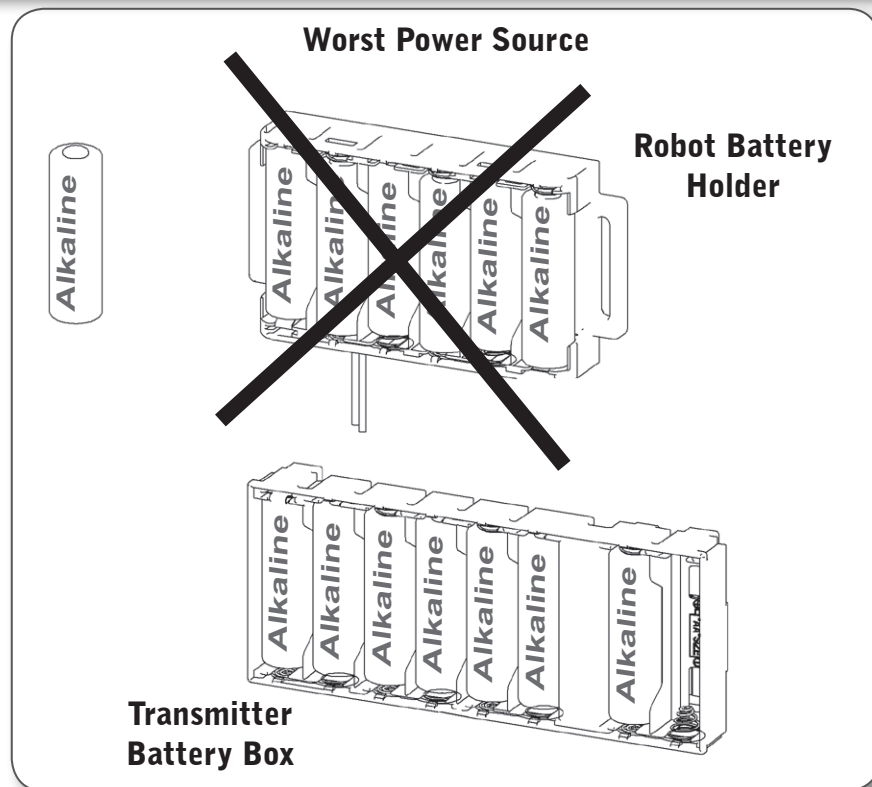
Alkaline batteries are NOT RECOMMENDED for the VEX Robot, but can be used in the transmitter.

Alkaline technology was not designed to handle the high levels of current that a robot requires (i.e. they cannot provide power fast enough), so the robot may lose power and turn off at unpredictable times.

Alkaline batteries also provide a decreasing voltage as they are used up, so the level of power available to the robot falls as the batteries are drained.

NiCd batteries maintain their voltages reliably until they are almost completely empty. Finally, alkaline batteries, even "rechargeable" ones, are not truly rechargeable (rechargeable alkalines lose power with every recharge, and need to be replaced frequently). This means that their replacement cost will become prohibitive over time.

This includes the newer alkaline batteries that claim to be "designed for use in high tech devices," but still suffer from the same drawbacks which make all alkaline batteries impractical for robot use.



## Concepts To Understand, continued

### Battery Care

#### First Use

If you are using rechargeable batteries (and you should be!), remember to let them charge fully before you use them the first time because they are usually shipped uncharged. Be sure to let them reach full capacity in order to ensure a healthy battery charging cycle.

#### Memory Effect and Voltage Drop

A myth that often surfaces about rechargeable batteries is the “memory effect”. This refers to a mistaken belief that total battery capacity diminishes permanently by a failure to drain the battery to zero voltage and then recharge it to full. “Memory effect” does not exist in consumer devices, only in very specific laboratory conditions.

A real phenomenon called “voltage drop” does exist that can easily be mistaken for the fictitious “memory effect.” Voltage drop is a measurable phenomenon where a battery that is repeatedly “shallow discharged” (used only part way before recharging) will start delivering lower and lower voltages, and will run out sooner.

#### Discharge Cycles

The good news about voltage drop is that it is not permanent, and it is curable. If your batteries seem to be getting shorter life than usual, all you need to do is run them down until the VEX Robot Microcontroller automatically turns off, or the transmitter displays its low voltage warning (this will happen between 1 and 1.1V per cell—6.5V for the robot, 8.5V for the transmitter), then charge them back to full again. You may need to perform the drain/recharge process a few times, but your batteries should steadily improve in performance each time until they are back to full strength.

Never discharge a NiCd cell to less than .9-1.0V. By not discharging the batteries farther than this (known as “deep cycling”), you will avoid a condition that could potentially damage your batteries and/or charger.

## Concepts To Understand, continued

### Battery Care, continued

#### Overcharge/Trickle Charge

In addition to not excessively draining rechargeable batteries, you should also avoid overcharging them. Overcharging can cause permanent damage to the battery. It is important that you get a good NiCd charger that knows when to stop adding charge to the batteries. Once the battery has reached full charge, the charger should switch over into "trickle charge" mode, which is a low current mode that can be safely applied over a long period of time to maintain a full charge, or shut off the charger.

#### Temperature

Charging or draining batteries quickly will result in them heating up. Excessive heat can also cause permanent damage to the battery, and should be avoided. Also do not store batteries in high temperature conditions. If batteries are hot after charging or running, let them cool down before charging or running.

#### Age

Rechargeable NiCd batteries can be used over and over again for hundreds of battery cycles if properly maintained. However, all batteries will eventually wear out over time. If you notice an old set of batteries is not performing as well as it used to, it may be time to get a fresh set.

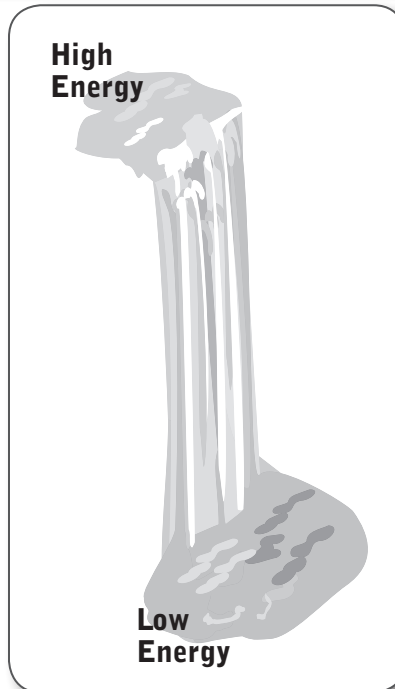
#### Environmental Issues

The cadmium found in NiCd batteries is highly toxic, and should not be disposed of in the trash. It is illegal to do so in many countries and states. Check your local regulations for information on proper battery recycling procedures in your area.

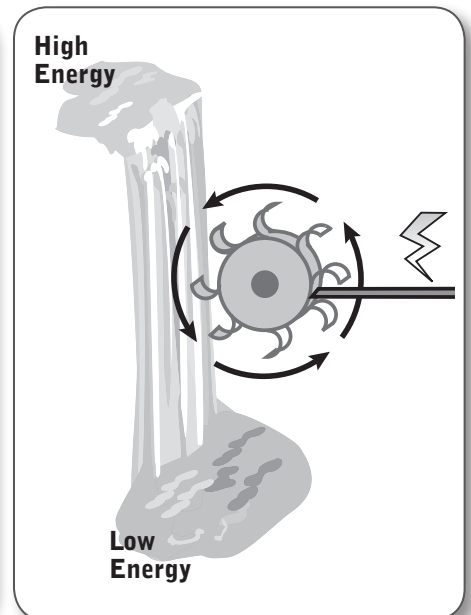
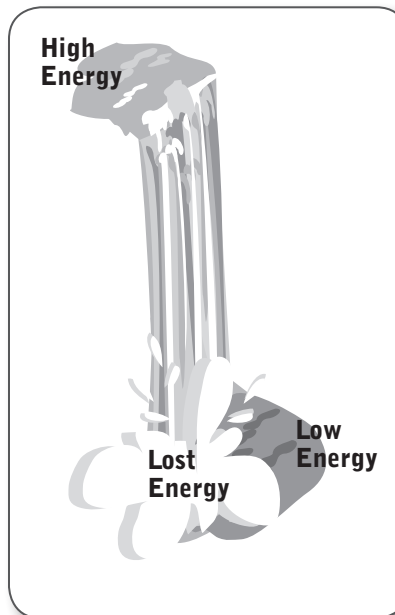
## Concepts To Understand, continued

### Voltage and Energy

Any time something in the physical world has the potential to go from one location to another there is an opportunity for it to do some useful work along the way. When water runs over a cliff, it falls downward because gravity is pulling on it. A hydroelectric generator takes advantage of this by having the water turn a turbine along the way as it falls



When the water was up on top of the cliff, it had a lot of "gravitational potential energy", energy that was stored in the water because it was high up even though gravity wanted to pull it downwards. After falling to the bottom of the cliff, it got rid of some of its gravitational potential energy. Normally, the energy that was given up by the water is wasted (it gets transformed into other forms of energy, like sound and heat as the water hits the bottom), but if the water runs through a hydroelectric generator, the generator instead takes the energy and transforms it into a form that is useful to us, as electrical energy.





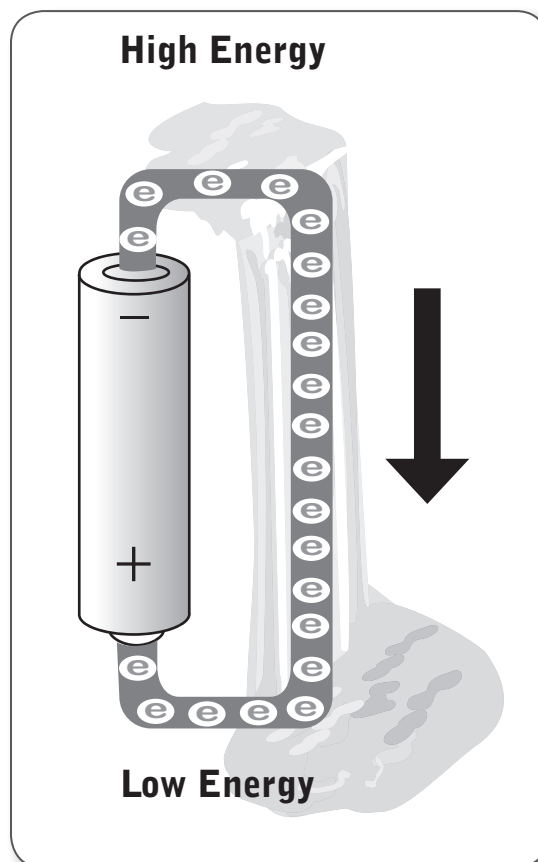
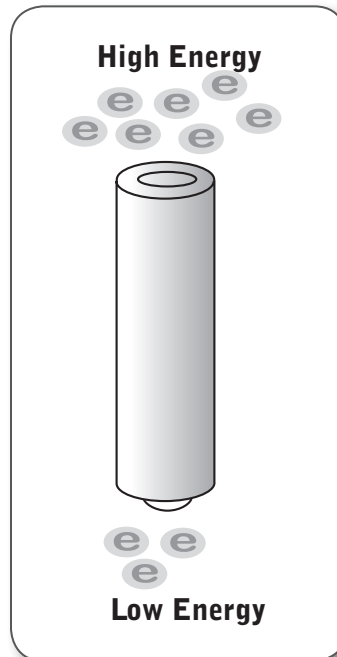
## Concepts To Understand, continued

### Voltage and Energy, continued

Electrons have negative charges, and naturally move toward areas with positive charges because opposite charges attract. A battery is like the cliff. One end (the  $-$  side) holds electrons at an area where they have high potential energy, just like the top of the cliff. The other side (the  $+$  end) is like the bottom of the cliff, an area of low potential energy that the electrons would like to travel toward. "Voltage" is the term used to describe the difference in electrical potential energy between two regions, hence a 1.5V battery has 1.5 volts of difference between the region at the  $+$  end and the region at the  $-$  end.

Unlike the waterfall, however, the battery doesn't just let the electrons travel freely from the high-energy end to the low-energy end. You need to provide a path for the electrons in order to let them get from one end to the other by connecting the battery to a circuit. The wire provides a path for electrons to get from the  $-$  side to the  $+$  side.

**Warning:**  
**Never hook a wire directly from one end of a battery to the other as the battery will become extremely hot.**

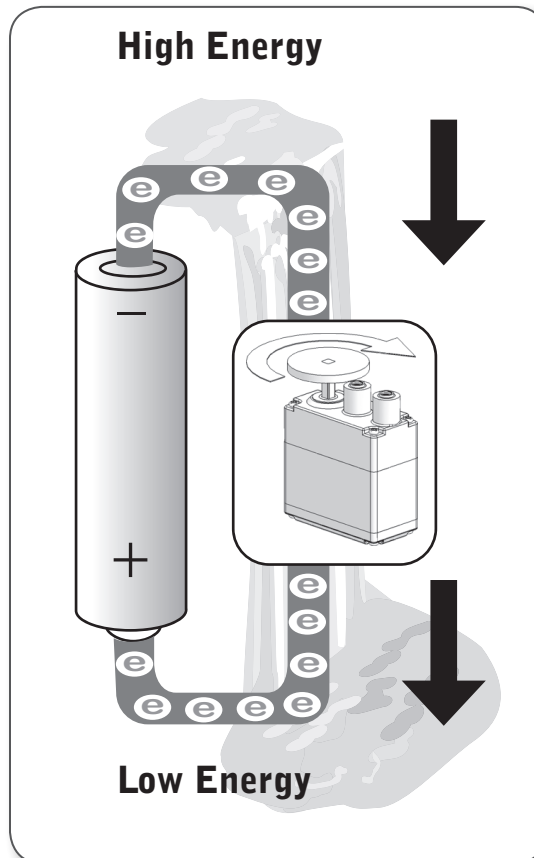


## Concepts To Understand, *continued*

### Voltage and Energy, *continued*

The last step in the process is to add the hydroelectric generator. Except instead of a generator, you will be harvesting the energy from the moving electrons, with motors that change the electrical energy into physical energy and computer chips that use the energy to power other circuits inside them.

This is, of course, a huge simplification of the way electricity really works in a circuit, but the ideas behind voltage should still be clear: that there are regions with different amounts of potential energy, that the battery is what maintains that difference, and that the rest of the electronic components in the robot are effectively drawing their power from the electrons that are trying to move from one region to the other.



## Concepts To Understand, continued

### Voltage and Energy, continued

#### Batteries in Series

Batteries can be stacked together in series to add their voltages together, like stacking cliffs to make a taller cliff. This is how multiple AA batteries (which are 1.2-1.5V each) produce a single larger "battery pack" with a combined voltage of around 7.2V in the VEX system. The Transmitter does the same thing to achieve a voltage of 9.6V.

#### Battery Cells

Individual batteries (like a single AA) are often called "cells," to distinguish them from the entire "battery" pack. Technically, a "battery" refers strictly to a collection of multiple cells, so what we have been referring to as a battery pack is a "battery", and what we usually call a battery (like an AA battery) is technically not a battery, but a "cell".

The word "cell" comes from the nature of the battery as a self-contained vessel for the chemical reaction necessary to produce a specific electrical voltage. The name comes from an early 1800's battery design by Dr. William Cruickshank, in which a wooden box or trough was divided into "cells," and each cell had a metal plate inserted into it to create the electrochemical reaction. A modern battery pack (multiple AAs in series, for instance), similarly, has multiple "cells" with separate chemical chambers, which work together to produce the overall "battery" voltage.

# Subsystem Interactions

## How does the Power Subsystem interact with...

### ...the Structure Subsystem?

- The Structure Subsystem generally provides a safe, protected place to secure the battery.

### ...the Motion Subsystem?

- The Motion Subsystem's motors and servomotors convert electrical energy into physical energy, and so they will of course need electrical energy to work with. This energy is ultimately supplied by the Power Subsystem's batteries, but the motors do not plug into the batteries directly. Rather, the flow of power is directed by the Microcontroller, which decides how much power is allowed to flow from the Power Subsystem to the Motion components.

### ...the Sensor Subsystem?

- Most sensors, like most electronic components, require power in order to function. VEX sensors draw power indirectly from the Power Subsystem through the Microcontroller (Logic Subsystem).

### ...the Control Subsystem?

- Broadcasting radio waves takes a significant amount of electrical power. The eight AA batteries (or 9.6V battery pack) installed in the VEX Transmitter provides the Transmitter with all the power it needs to operate its internal circuitry and send out radio waves carrying commands to the receiver.
- The RF Receiver module mounted onboard the robot, on the other hand, draws its power from the Power Subsystem indirectly, through the Microcontroller (which is part of the Logic Subsystem).

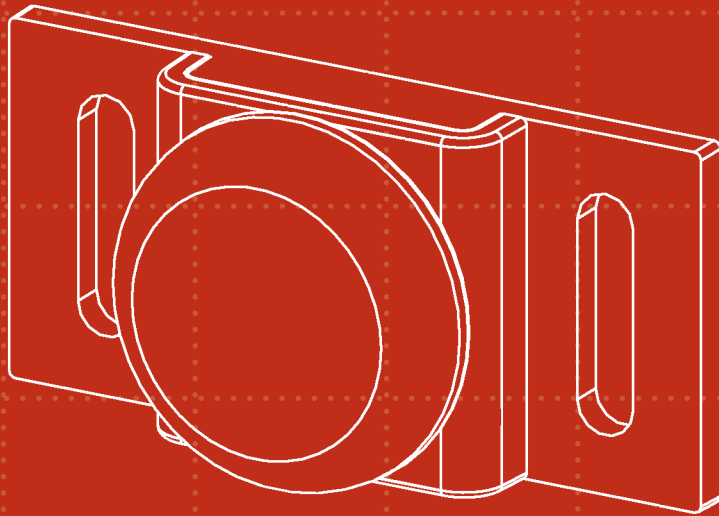
### ... the Logic Subsystem?

- Since the Microcontroller is a device that contains a large number of electronic components, including two computer microprocessors, it needs power, which it draws directly from its connection to the Power Subsystem.
- The other major function of the Microcontroller is to control the other subsystems on the robot. It does this by selectively routing power from the Power Subsystem batteries to the other subsystems' components (like motors).
- The Power Subsystem battery holder (or battery pack) connects to the Microcontroller module using a two-pin connector inside a plastic housing, which is mechanically "keyed" to prevent it from being plugged in backward.

# User Power Notes

---

**The Sensor Subsystem gives the robot the ability to detect various things in its environment. The sensors are the “eyes and ears” of the robot, and can even enable the robot to function independently of human control.**



# Sensors

# Sensor

## Table of Contents:

---

<b>Introduction to the Sensor Subsystem</b>	<b>5.2</b>
<b>Concepts to Understand</b>	<b>5.3</b>
<b>Subsystem Interactions</b>	<b>5.11</b>

# Introduction to the Sensor Subsystem

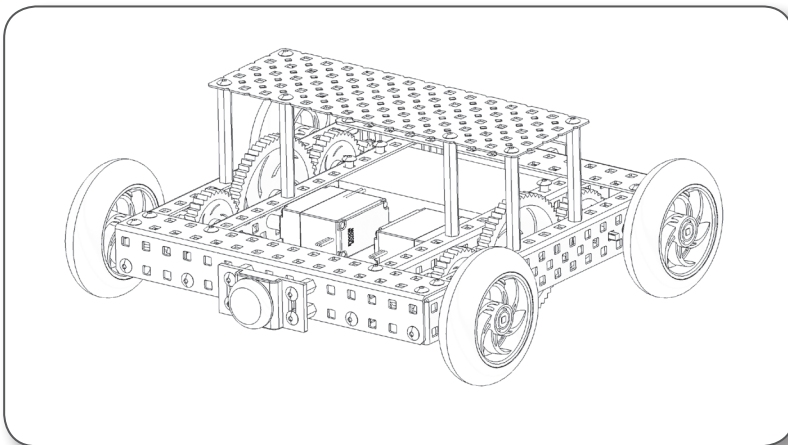
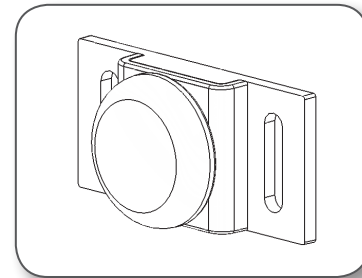
**A robot is more than just a radio-controlled vehicle with extra parts.** Both a radio-controlled car and a robot can move around using onboard power and motors, and both can be controlled via radio waves. The robot, however, has two critical capabilities that the simple R/C car does not. The robot can sense its environment, and the robot can adjust its own behaviors based on that knowledge.

Sensors are the beginning of that process. A sensor will generally tell the robot about one very simple thing in the environment, and the robot's program will interpret that information to determine how it should react.

The Bumper Switch sensor, for instance, will tell the robot whether it is in contact with a physical object or not. Depending on how the sensor is set up, this can tell the robot a lot of different things. If the sensor is mounted on the front bumper, the robot could use this information to tell whether it has run into an obstacle, like a wall inside a maze.

By making good use of sensors to detect the important aspects of its environment, a robot can make things much easier for its human operator. A robot can even operate completely independent of human control, autonomously.

There are a myriad of sensor options available to you in the VEX Robotics Design System. Some of these include ultrasonic range finders and light sensors. For a full list of all sensors available, please visit [www.VEXrobotics.com](http://www.VEXrobotics.com) for more information.



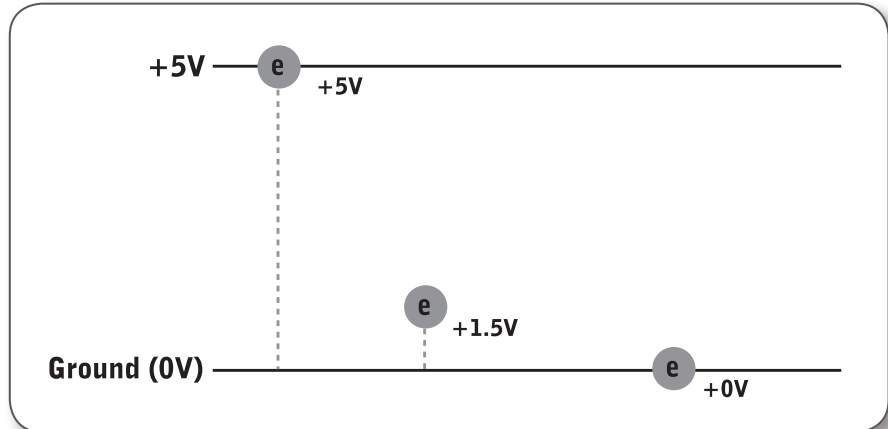


# Concepts to Understand

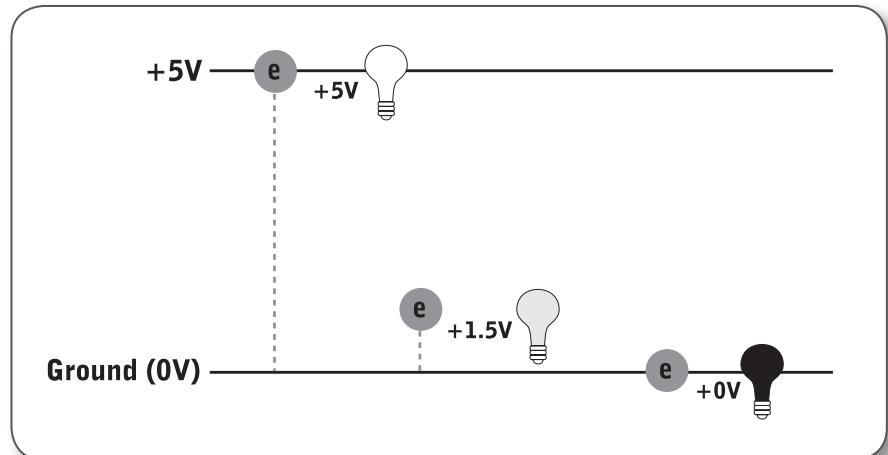
## Analog vs. Digital

Among sensors, there are two main electrical “languages” spoken: Analog and Digital.

Analog sensors communicate with the Microcontroller by sending it an electrical voltage along a wire. By measuring where the sent voltage falls between zero and maximum voltage, the Microcontroller can interpret the voltage as a numeric value for processing. Analog sensors can therefore detect and communicate any value in a range of numbers.



A light sensor, for instance, can communicate how bright a light is by sending a zero voltage for total darkness, sending maximum voltage for a very bright light, or sending an in-between voltage for any other amount of light, depending on exactly how bright it is.



### Example:

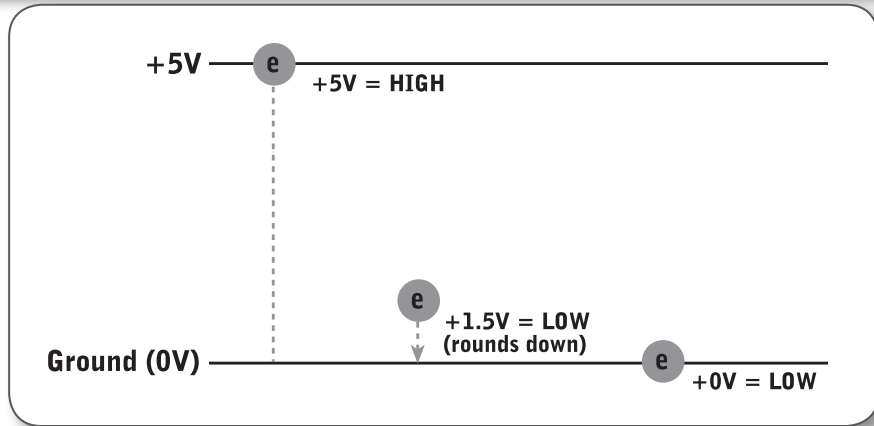
Analog = Shades of Gray and Black and White

Digital = Black or White

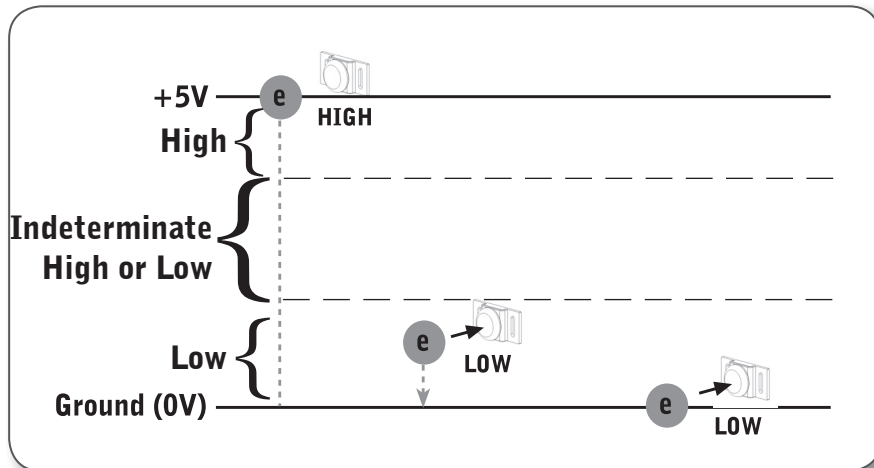
# Concepts to Understand, continued

## Analog vs. Digital, continued

A weakness of analog sensors is that it is very difficult to send and maintain an exact, specific voltage on a wire in a live circuit. Digital sensors, on the other hand, can send signals very reliably, even in electrically "noisy" conditions. However, they do so by sacrificing the ability to indicate the entire range of values. Digital signals can only have one of two values: either HIGH or LOW.



**A digital sensor** sends a voltage, just like an analog sensor, but instead of sending a voltage between zero and maximum, it will send only zero OR maximum. If the Microcontroller detects a voltage that is above a guaranteed Low or below a guaranteed High the results cannot be determined, it can be reported as a High or Low.



It may seem like a terrible loss to only be able to indicate two values rather than a whole range, but in many situations, this is preferable. For instance, the Bumper Switch Sensor is a digital sensor. Since the purpose of the sensor is to detect whether something is pushing the bumper in or not, two values are all it needs to do its job.

## Concepts to Understand, continued

### Bumper Switch Sensor

#### Bumper Switch Sensor

**Signal:** Digital

**Description:** The bumper sensor is a physical switch. It tells the robot whether the bumper on the front of the sensor is being pushed in or not.

#### Technical Info:

**Type:** SPST switch ("Single Pole, Single Throw") configured for Normally Open behavior.

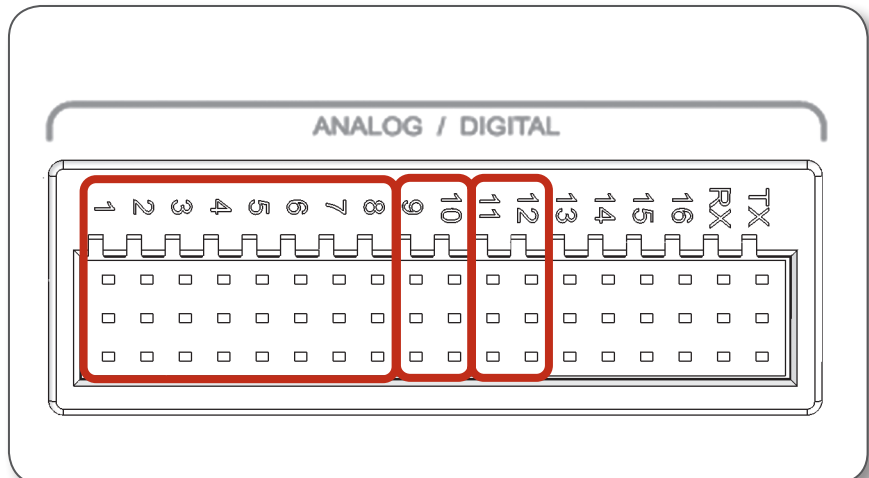
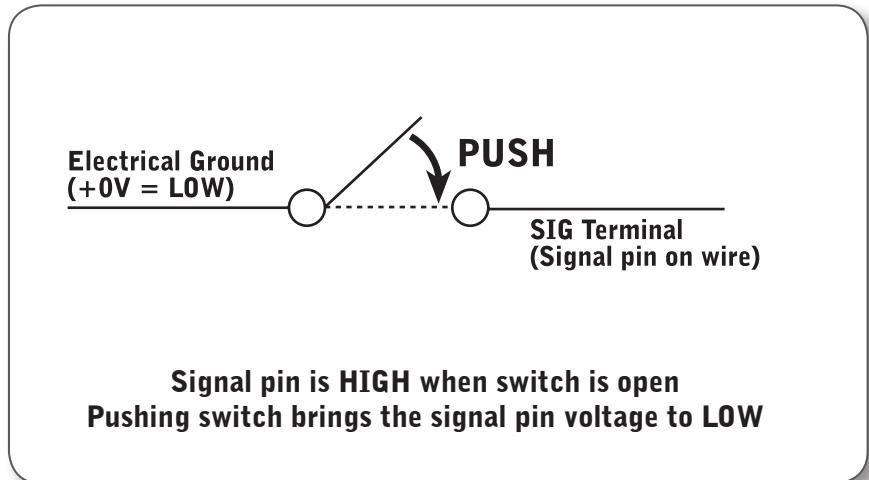
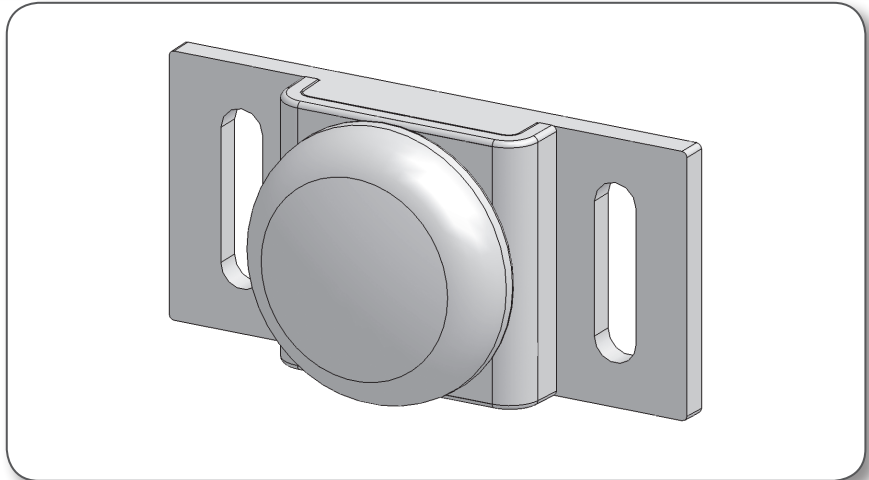
**Signal Behavior:** When the switch is not being pushed in, the sensor maintains a digital HIGH signal on its sensor port. This High signal is coming from the Microcontroller. When an external force (like a collision or being pressed up against a wall) pushes the switch in, it changes its signal to a digital LOW until the switch is released. An unpressed switch is indistinguishable from an open port.

**Note:** You can connect multiple switches to the same port using a y-cable.

#### Microcontroller Default

##### Code Behavior Info:

**Usable Ports:** Analog/Digital 1-8 (Limit Switch Behavior), 9-10 (Tag Behavior), 11-12 (Autonomous Behavior)  
For more info, see Programmed Behaviors later in this section.



# Concepts to Understand, continued

## Limit Switch Sensor

**Limit Switch Sensor**

**Signal:** Digital

**Description:** The limit switch sensor is a physical switch. It can tell the robot whether the sensor's metal arm is being pushed down or not.

**Technical Info:**

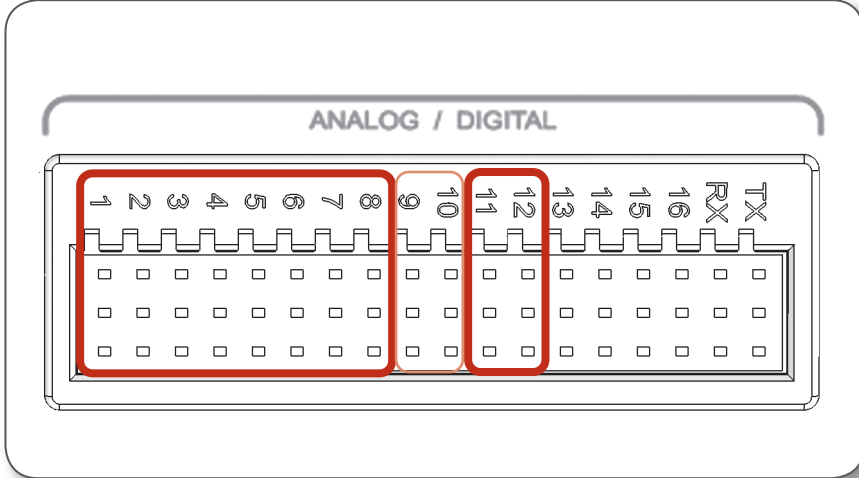
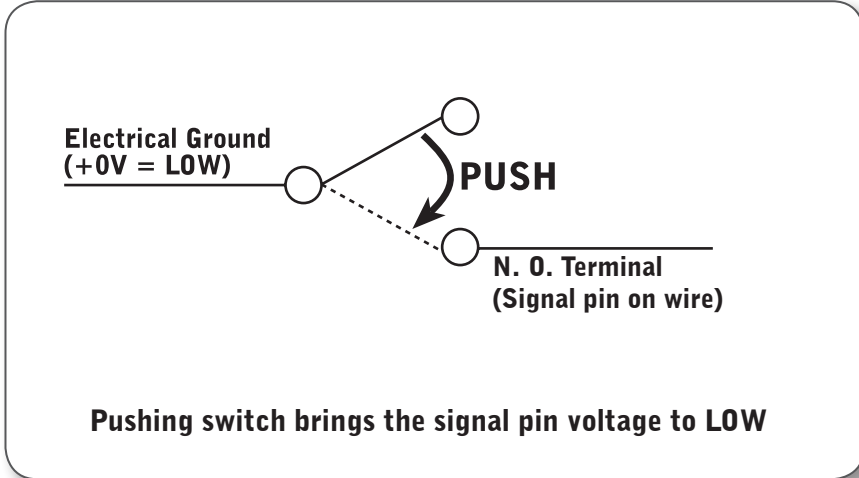
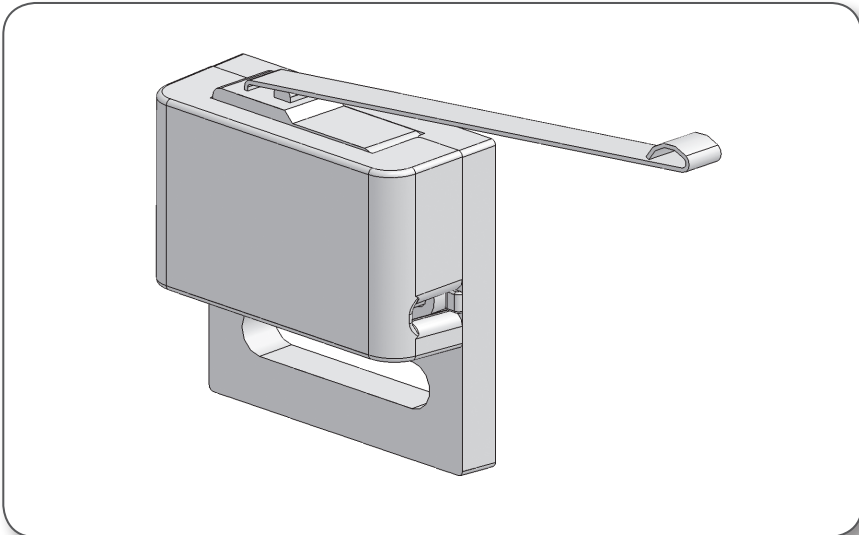
**Type:** SPDT microswitch, configured for SPST Normally Open behavior.

**Behavior:** When the limit switch is not being pushed in, the sensor maintains a digital HIGH signal on its sensor port. This High signal is coming from the Microcontroller. When an external force (like a collision or being pressed up against a wall) pushes the switch in, it changes its signal to a digital LOW until the limit switch is released. An unpressed switch is indistinguishable from an open port.

**Note:** You can connect multiple switches to the same port using a y-cable.

**Microcontroller Default Code Behavior Info:**

**Usable Ports:** Analog/Digital 1-8 (Limit Switch Behavior), 9-10 (not recommended), 11-12 (Autonomous Behavior)  
For more info, see Programmed Behaviors later in this section.



## Concepts to Understand, continued

### Default Code Sensors—Programmed Behaviors

Normally sensors connect to the Analog/Digital port bank on the VEX Microcontroller. Some sensors must use an Interrupt Port on the Microcontroller. Different behaviors of the Default Code will be activated depending on which port you plug the sensors into. The following behaviors are activated when Bumper Switch or Limit Switch Sensors are plugged into the indicated ports. More detailed information about each behavior can be found on the next few pages.

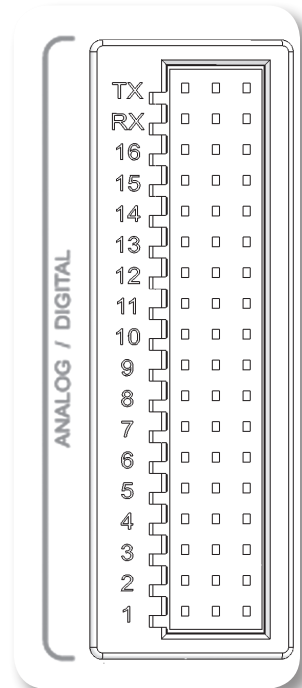
#### Jumper Ports

Port	Function
Analog/Digital Port 13	Enables Autonomous Mode

#### Sensor Ports

Port	Category	Behavior
Analog/Digital Port 12	Autonomous Mode Collision	Back up and turn left
Analog/Digital Port 11	Detection Ports	Back up and turn right
Analog/Digital Port 10	Collision Emergency Stop Ports	Stop for 2 seconds
Analog/Digital Port 9		Stop for 2 seconds
Analog/Digital Port 8	Limit Switch Behavior	Motor 7 ignores CW
Analog/Digital Port 7		Motor 7 ignores CCW
Analog/Digital Port 6		Motor 6 ignores CW
Analog/Digital Port 5		Motor 6 ignores CCW
Analog/Digital Port 4		Motor 5 ignores CW
Analog/Digital Port 3		Motor 5 ignores CCW
Analog/Digital Port 2		Motor 4 ignores CW
Analog/Digital Port 1		Motor 4 ignores CCW

CW = Clockwise  
CCW = Counter Clockwise



#### Other Ports

Ports 14-16, RX, TX, and Interrupt Ports are not used by the Default Code.

#### Note:

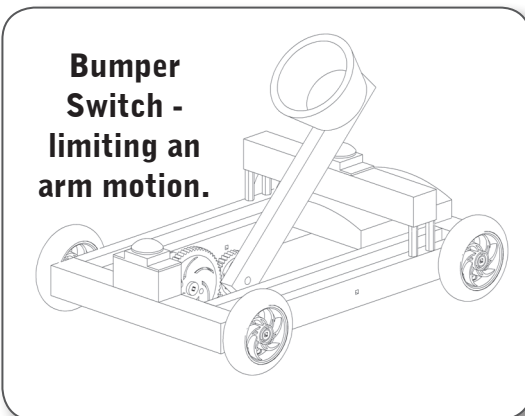
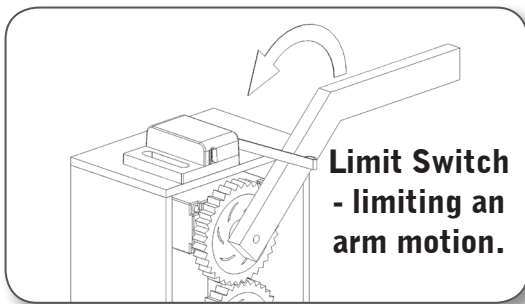
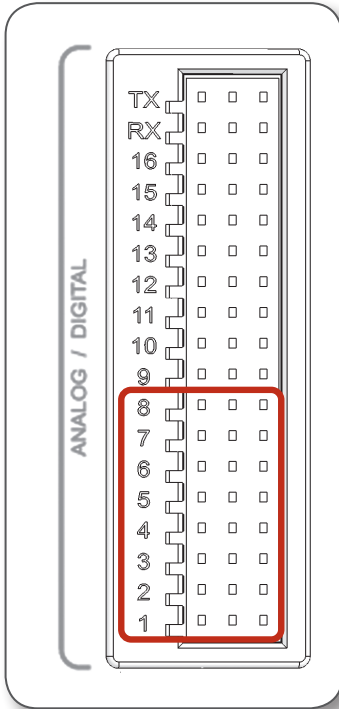
These behaviors are included in the VEX Microcontroller Default Code. Custom code can be created for new behaviors.

# Concepts to Understand, *continued*

## Default Code Sensors—Programmed Behaviors

**Limit Switch Primary Behavior:** Mechanical Limit Switch (Ports 1-8)

**Bumper Switch Secondary Behavior:** High Durability Limit Switch (Ports 1-8)



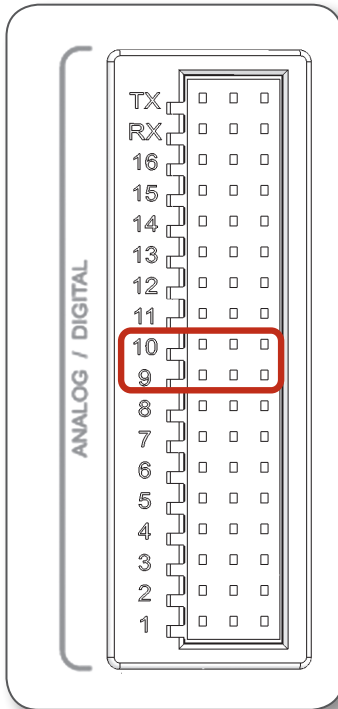
### Mechanical/High Durability Limit Switch

- Plug the Bumper or Limit Switch Sensor into a port from 1 to 8 to use this behavior. You may use more than one port if desired (but only one sensor per port). Each port controls a different behavior.
- When pressed, a switch on ports 1-8 will limit the motion of one of the motor ports in one direction only:
  - Analog/Digital Port 1 pressed: Motor port 4 will ignore commands to run Counterclockwise
  - Analog/Digital Port 2 pressed: Motor port 4 will ignore commands to run Clockwise
  - Analog/Digital Port 3 pressed: Motor port 5 will ignore commands to run Counterclockwise
  - Analog/Digital Port 4 pressed: Motor port 5 will ignore commands to run Clockwise
  - Analog/Digital Port 5 pressed: Motor port 6 will ignore commands to run Counterclockwise
  - Analog/Digital Port 6 pressed: Motor port 6 will ignore commands to run Clockwise
  - Analog/Digital Port 7 pressed: Motor port 7 will ignore commands to run Counterclockwise
  - Analog/Digital Port 8 pressed: Motor port 7 will ignore commands to run Clockwise
- This behavior is used to limit the motion of a motor in order to make sure that it does not turn too far (for instance, a gripper claw does not attempt to open too wide). The sensor is placed at the outer limit of desired movement, so that any attempt to move farther will trigger the sensor.
- Use a Bumper Switch for this behavior only if a standard limit switch sensor will not work (for example, because the expected impact is too strong for the limit switch). A normal limit switch is better than the bumper switch in most situations because the bumper switch is less precise (due to the bumper's more rugged construction).
- Suggested use: Motion-limiting switch for custom attachments and other moving parts.

## Concepts to Understand, *continued*

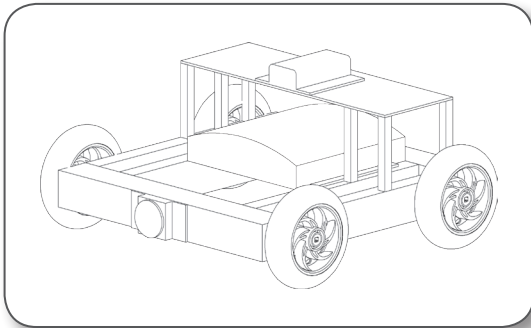
### Default Code Sensors—Programmed Behaviors

#### Bumper Switch Primary Behavior: Tag/Emergency Stop Sensor (Ports 9-10)



#### Tag/Emergency Stop Sensor

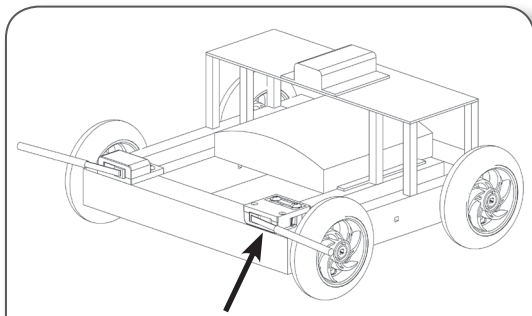
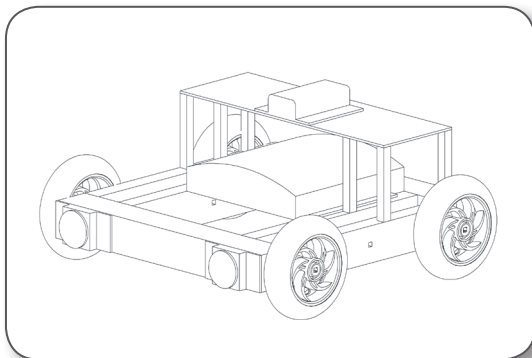
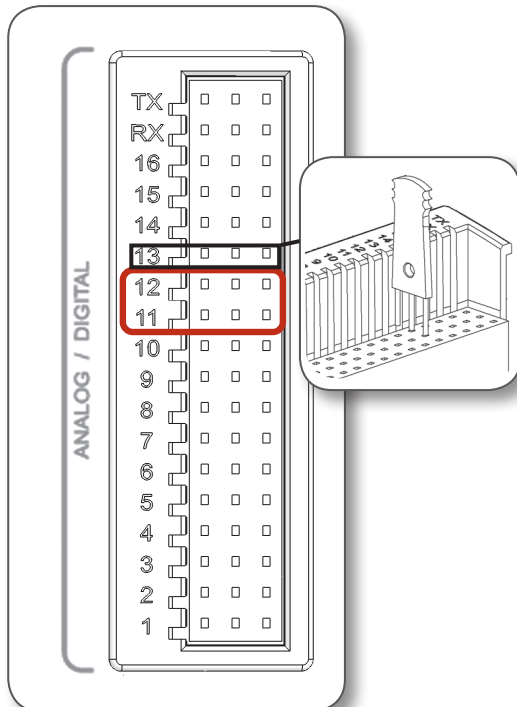
- Plug the Bumper Switch Sensor into Port 9 or 10 to use this behavior. You may use both ports if desired (one sensor per port, they do the same thing).
- When the bumper sensor on one of these ports is pressed, the robot will come to a halt and operator control will be disabled for 2 seconds. To create a visual indicator that the bumper was triggered and the motor ports were disabled, attach a motor or servomotor to Motor Port 6. This motor will oscillate back and forth for 2 seconds when the bumper is hit.
- When control is returned, the sensor has no effect for another 2-3 seconds in order to allow the operator to move away from the hazard or the other robot.
- This behavior is not recommended for use with the Limit Switch Sensor due to durability considerations.
- Suggested uses: Collision detection.



## Concepts to Understand, continued

### Default Code Sensors—Programmed Behaviors

#### Autonomous Behavior: Autonomous Mode Obstacle Detector (Ports 11-12 + Jumper 13)



In order to mount the left limit switch, position it upside down using spacers to support the area where the screws are applied.

#### Autonomous Mode Obstacle Detector

- You must enable Autonomous Mode in order for these ports to work. Place a Jumper Clip in Analog/Digital Port 13 to enable Autonomous Mode operation.
- The robot should be set up in a 2-motor configuration for autonomous mode operation. The left motor should be plugged into Motor Port 3, and the right motor should be plugged into Motor Port 2. Both motors should use a single gear reduction between the motor and each wheel to insure wheels spin in the correct direction.
- Plug Bumper or Limit Switch Sensors into Ports 11 and 12 to use this behavior. You should use both ports (one sensor per port), because they perform different functions, both of which are needed for correct performance.
- If using Limit Switches, do not place them directly on the front of the robot, or you risk damage to the sensors. Attach semi-flexible “antenna” pieces to the limit switches to hang out in front of the robot and act as “feelers” that can trigger the sensitive limit switch without letting anything hit the switch itself. The picture in the bottom left shows the sensors with straws used as antenna pieces.
- The robot will drive straight forward without human control when in Autonomous Mode. When the bumper switch on input port 11 is pushed in, the robot will interpret this as an indication that it has run into an immovable obstacle on the left side, and will turn to the right until the switch is no longer pushed in. The bumper switch on input port 12 does the same thing, but monitors the right side and makes the robot turn left when it is pushed.
- Suggested use: Autonomous Mode Obstacle Detector



# Subsystem Interactions

## How does the Sensor Subsystem interact with...

### ...the Structure Subsystem?

- The Structure Subsystem provides a mounting and stabilization platform for sensors on the robot. Often, sensors need to be held in a specific position to function properly, and the Structural Subsystem must be designed to accommodate these needs.

### ...the Motion Subsystem?

- Robots often have motors and other Motion components controlled by sensors (for instance, the emergency stop function stops the motors when the bumper switch sensor is pushed). However, the Sensor Subsystem does not directly control the Motion Subsystem. Instead, the Sensors provide information to the Microcontroller, which takes that information into account, and then decides what command to send to the Motion Subsystem. The decision is made from the Default or User Code stored in the Microcontroller.

### ...the Power Subsystem?

- Sensors, like all electronic components, require power in order to function. VEX sensors draw power indirectly from the Power Subsystem through the Microcontroller (Logic Subsystem). There are exceptions like the Bumper and Limit Switches. They do not draw power from the Microcontroller and only drive a Ground or Low Signal.

### ...the Control Subsystem?

- The Control and Sensor Subsystems compliment each other to achieve better control of the robot. The Control Subsystem provides human control over the robot, but the human operator does not always have perfect control, or the perfect point of view to see the robot's position. The Sensor Subsystem gives the robot the ability to make its own informed decisions, and can be a substantial aid to the human operator.

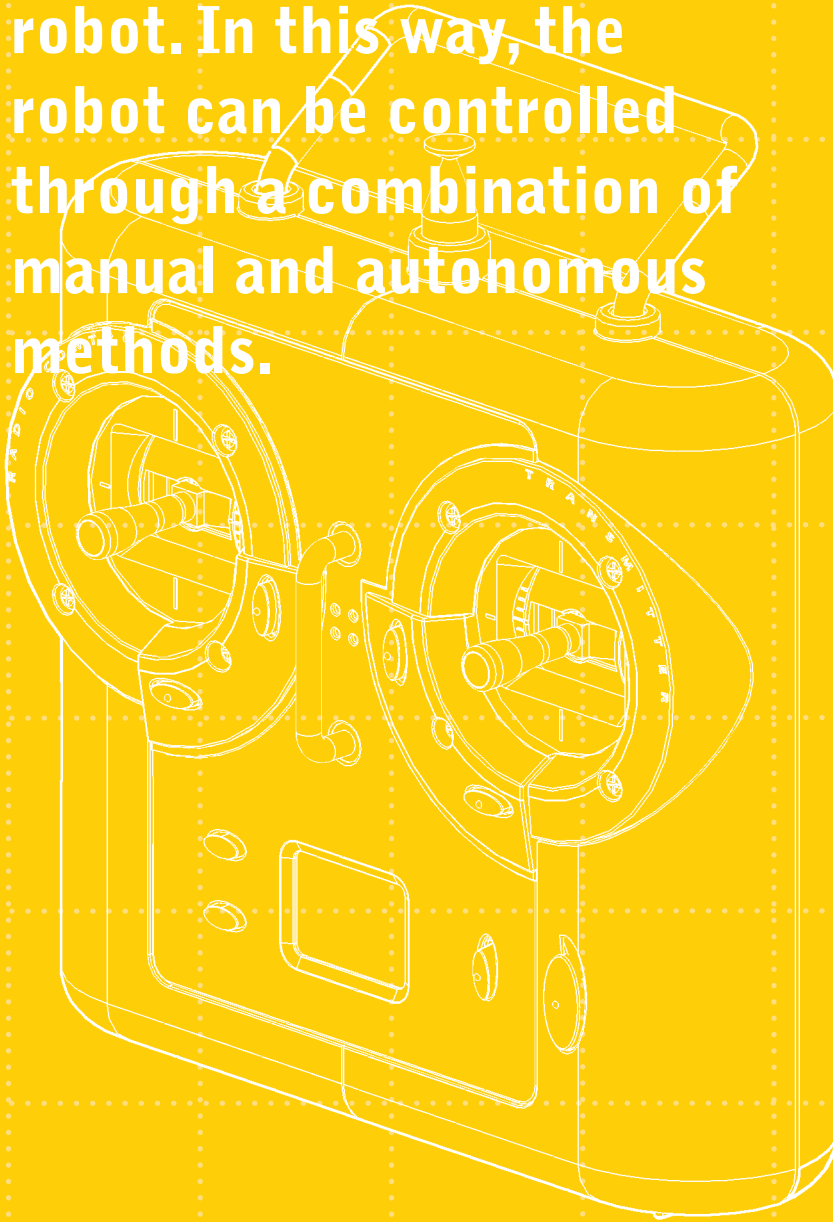
### ... the Logic Subsystem?

- The Logic Subsystem relies on feedback from the Sensor Subsystem to provide information about the robot's environment. It uses this data to make informed decisions about how the robot should behave.
- The actual behavior that is activated when a sensor is triggered depends on which port the sensor is plugged into on the Microcontroller and the Code being executed.

# User Sensor Notes

---

The Control Subsystem enables a human operator to maneuver the robot. Commands are issued through joysticks and buttons on the Transmitter, and sent via radio signal to the Receiver on the robot. In this way, the robot can be controlled through a combination of manual and autonomous methods.



# Control

# Control

## Table Of Contents:

---

<b>Introduction to the Control Subsystem</b>	<b>6.2</b>
<b>Concepts to Understand</b>	<b>6.15</b>
<b>Subsystem Interactions</b>	<b>6.20</b>

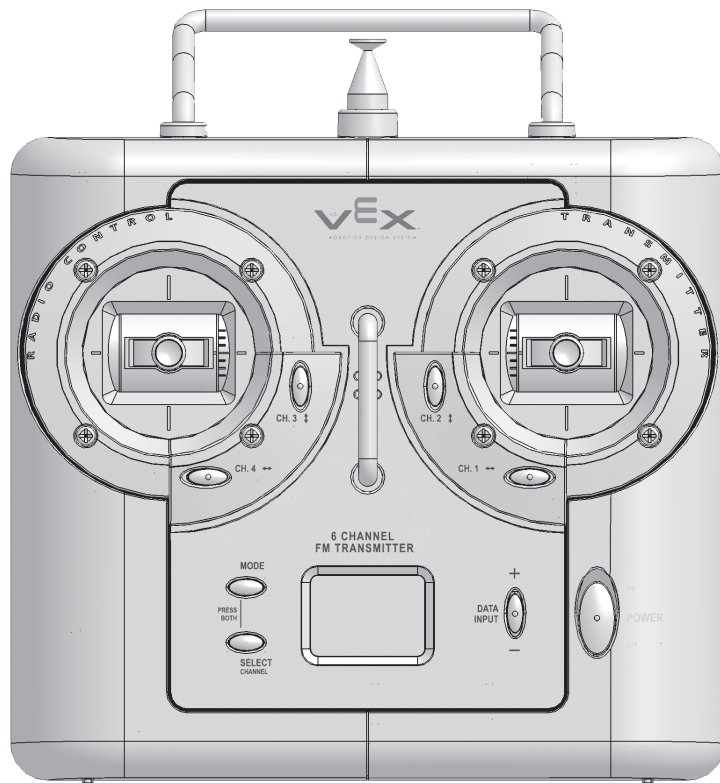
## Introduction to the Control Subsystem

The **Control Subsystem** provides the link between the robot and the human operator. Commands are entered through the joysticks and buttons on the RF Transmitter, and sent through the air via FM radio waves to the RF Receiver module mounted on the robot.

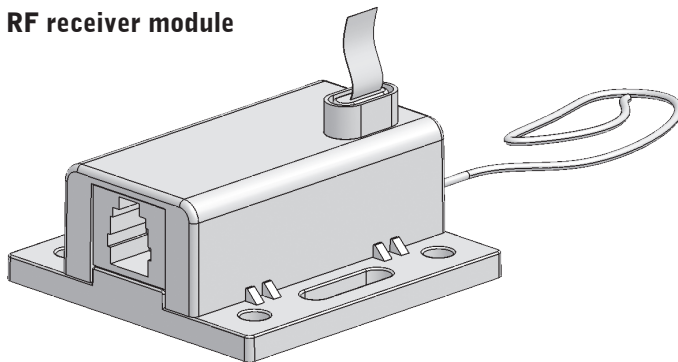
In addition to providing the control link, the transmitter can be used to alter robot control options, such as drive configuration and joystick trims and scaling.

There are also a number of advanced Transmitter options as well. These options provide functions most users will not need. For more information on these advanced configuration settings, refer to Appendices D and E.

**Transmitter**



**RF receiver module**



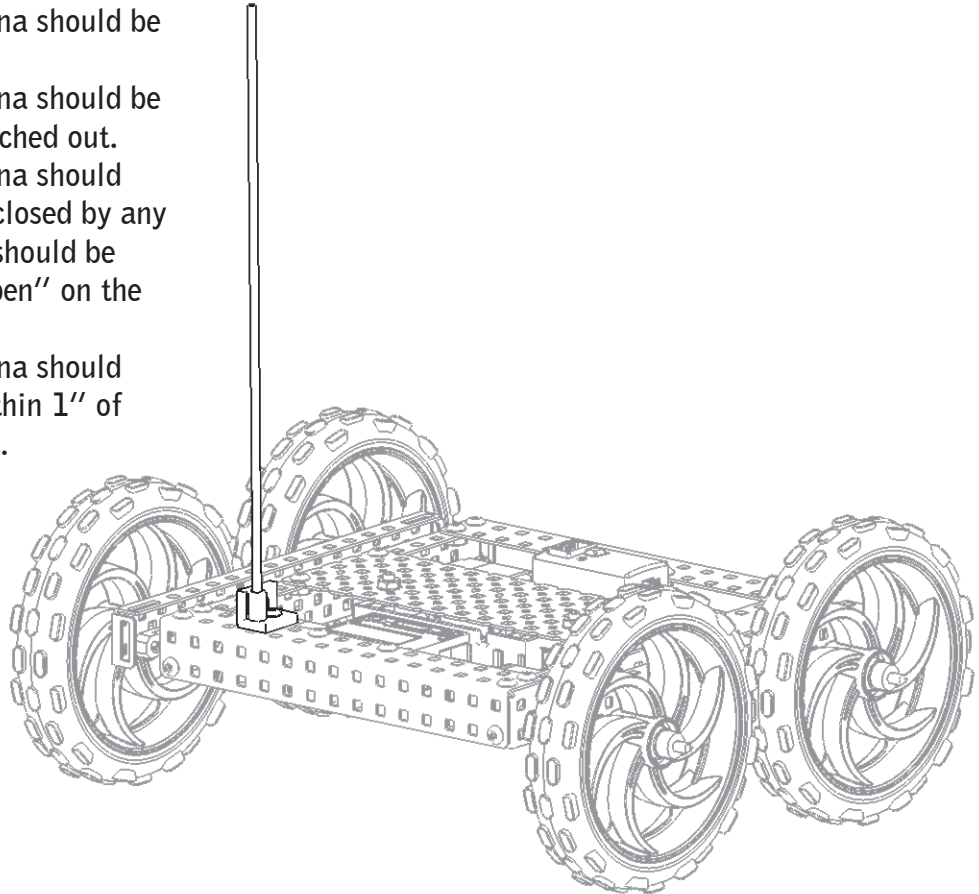
## Control

### Robot Signal

There are a few important tips for every robot designer to follow which will ensure their robot has the best possible signal, with no interference.

To maximize signal reception it is important that the receiver antenna wire is mounted in the following way:

- The antenna should be vertical.
- The antenna should be fully stretched out.
- The antenna should not be enclosed by any metal; it should be "in the open" on the robot.
- The antenna should not be within 1" of any metal.



To help facilitate this, the plastic antenna mounting tube should be used. For maximum range it is important to fully extend the metal antenna on the Transmitter. Also ensure that this antenna is fully screwed into place, and is held vertical.

It is also important that both the transmitter battery and the robot battery are fully charged. Also ensure that the robot does not have any motors over-loaded, as this will decrease performance and may appear to be a signal problem. (Refer to the Motion chapter for more details on gearing and motor usage.)

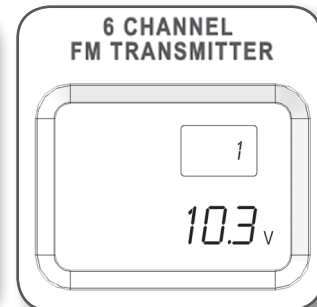
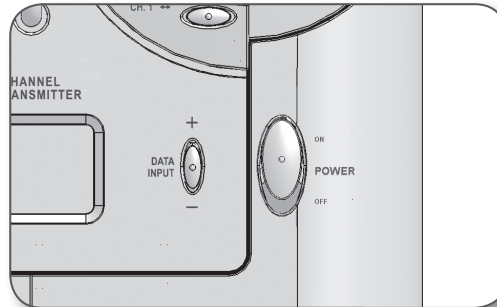
Some environments are "noisier" than others and may cause some robot interference. By following the above tips it is possible to GREATLY improve robot performance.

# Control Subsystem

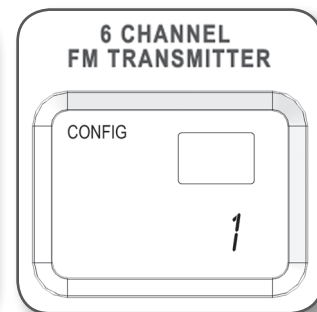
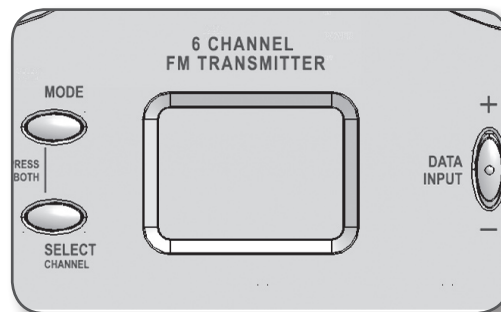
## Basic Transmitter Operation

The Transmitter joysticks can be configured to work in two basic configurations. To check or switch between configurations, follow these instructions:

1. **Turn on the Transmitter** by sliding the power switch up to the ON position.

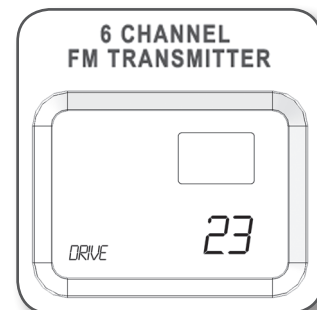


2. **Enter the menu** on the transmitter by holding down both the Mode and Select buttons at the same time next to the LCD until the menu is displayed on the LCD screen.

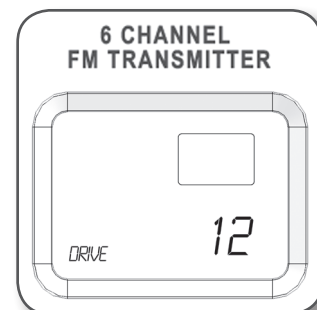


3. **Enter the Driving Mode Adjustment menu** by pressing the Mode button until DRIVE is displayed on the left side of the LCD screen (it's the last menu). You will pass over the following advanced menus: CONFIG, REVERSE, SCALE, EDITPT., TRIM, and PMIX.

For more information on these advanced menus, refer to Appendix E.



4. **The current driving mode is displayed.** This will be either "23" or "12". Push up or down toward either the + or - on the data input button on the right side of the LCD to switch between these two modes. The two modes are explained on the following pages.



## Control Subsystem, continued

### Tank-style control ("23" mode – default)

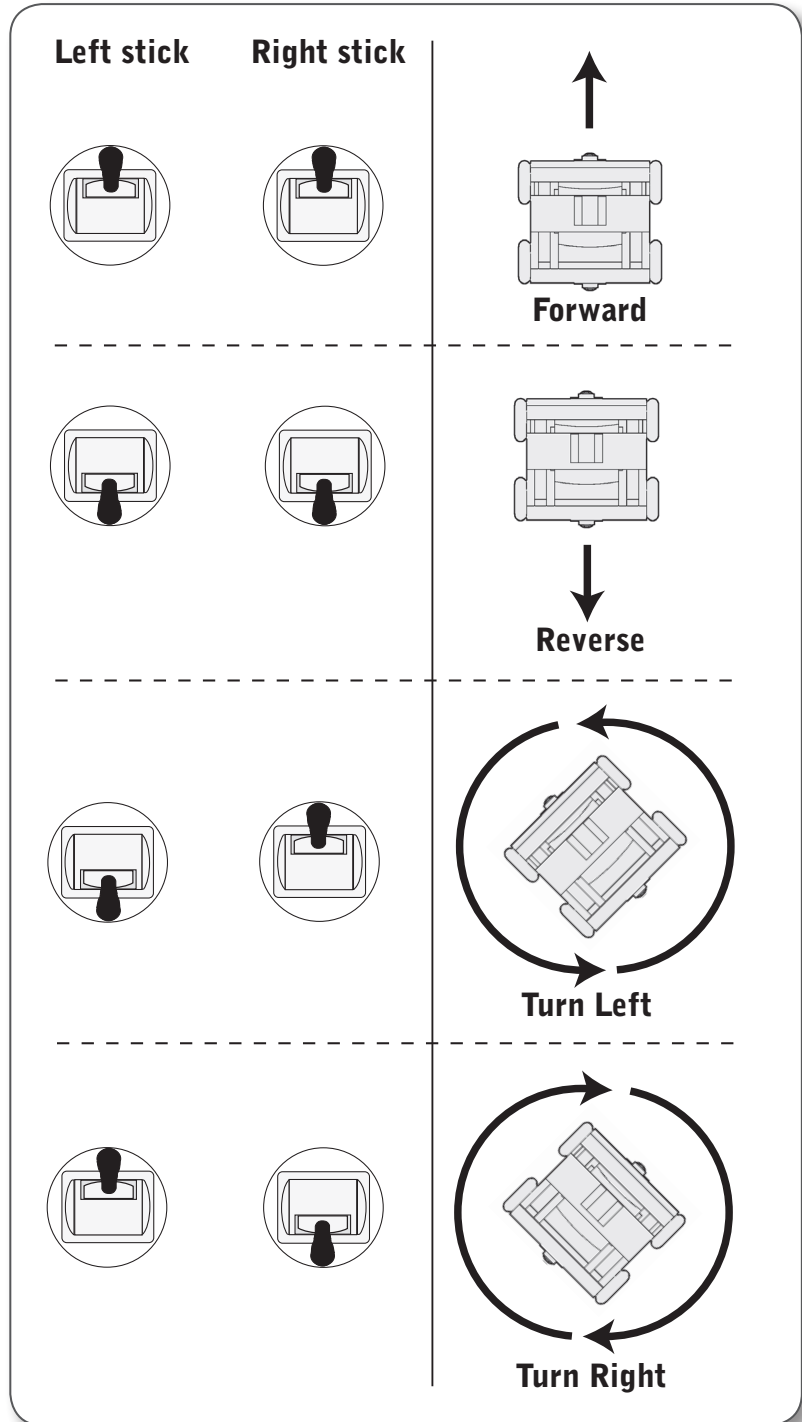
**Note:** Make sure there are no jumper clips on Analog/Digital Ports 13, 14, 15, or 16 on the Microcontroller, otherwise your robot will behave differently from what is listed here. For details on how to use these jumpers to configure advanced control features, visit the [Logic Subsystem](#) chapter.

This control configuration uses the vertical axes of both sticks to control the two drive motors independently. The name "23 mode" comes from the fact that the vertical axis of the right stick is "Control Channel 2", and the vertical axis of the left stick is "Control Channel 3", hence axes 2 and 3 ("23") are being used to drive.

In this configuration, the left stick controls the motor attached to Motor Port 3, and the right stick controls the motor attached to Motor Port 2.

**WARNING:**

When powering on a robot, ensure that it is positioned in such a way that it will not damage itself or its surroundings upon startup. It is possible that the receiver could accidentally pick up other radio waves which will cause the robot to behave erratically and unexpectedly. Use Caution!





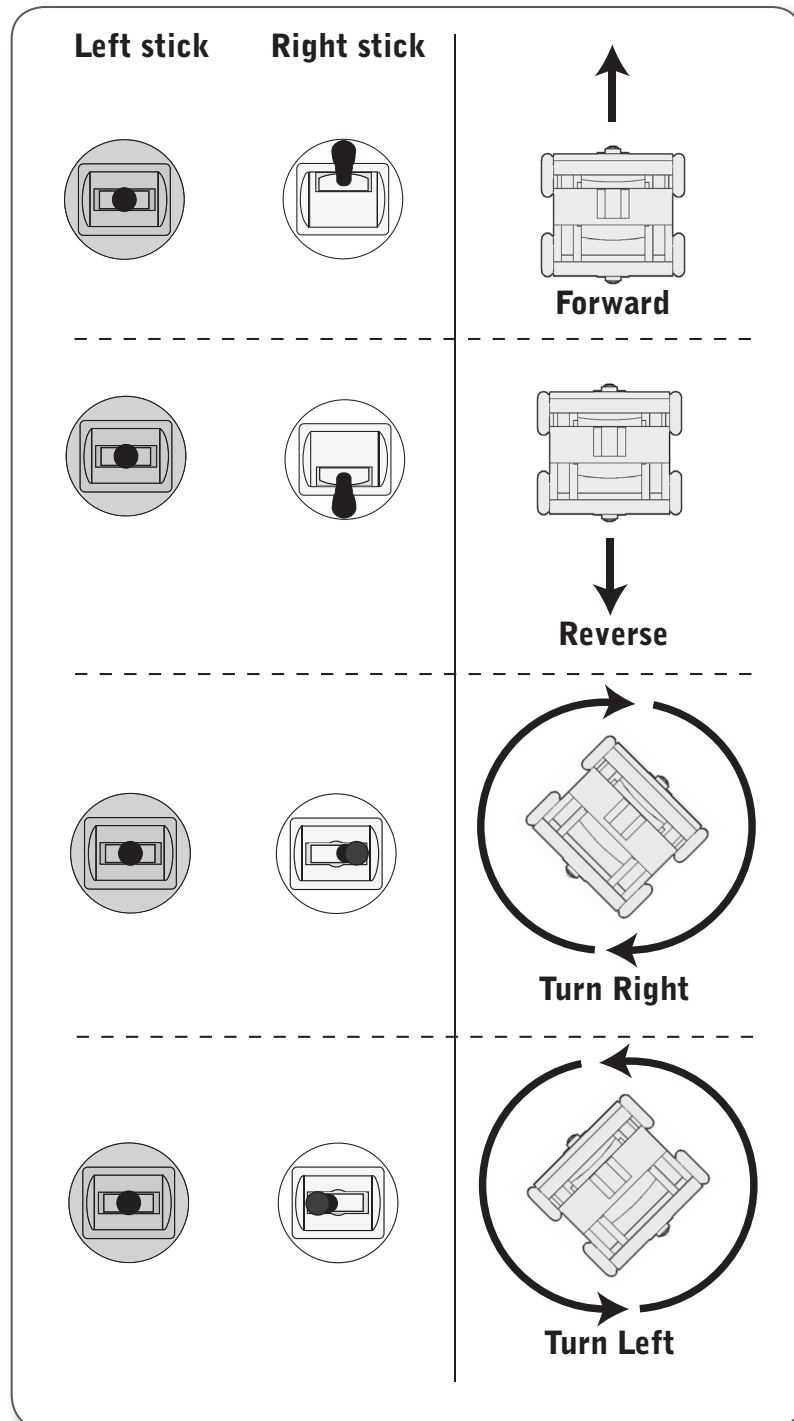
## Control Subsystem, continued

### Arcade-style control ("12" mode)

**Note:** Make sure there are no jumper clips on Analog/Digital Ports 13, 14, 15, or 16 on the Microcontroller, otherwise your robot will behave differently from what is listed here. For details on how to use these jumpers to configure advanced control features, visit the Logic Subsystem chapter.

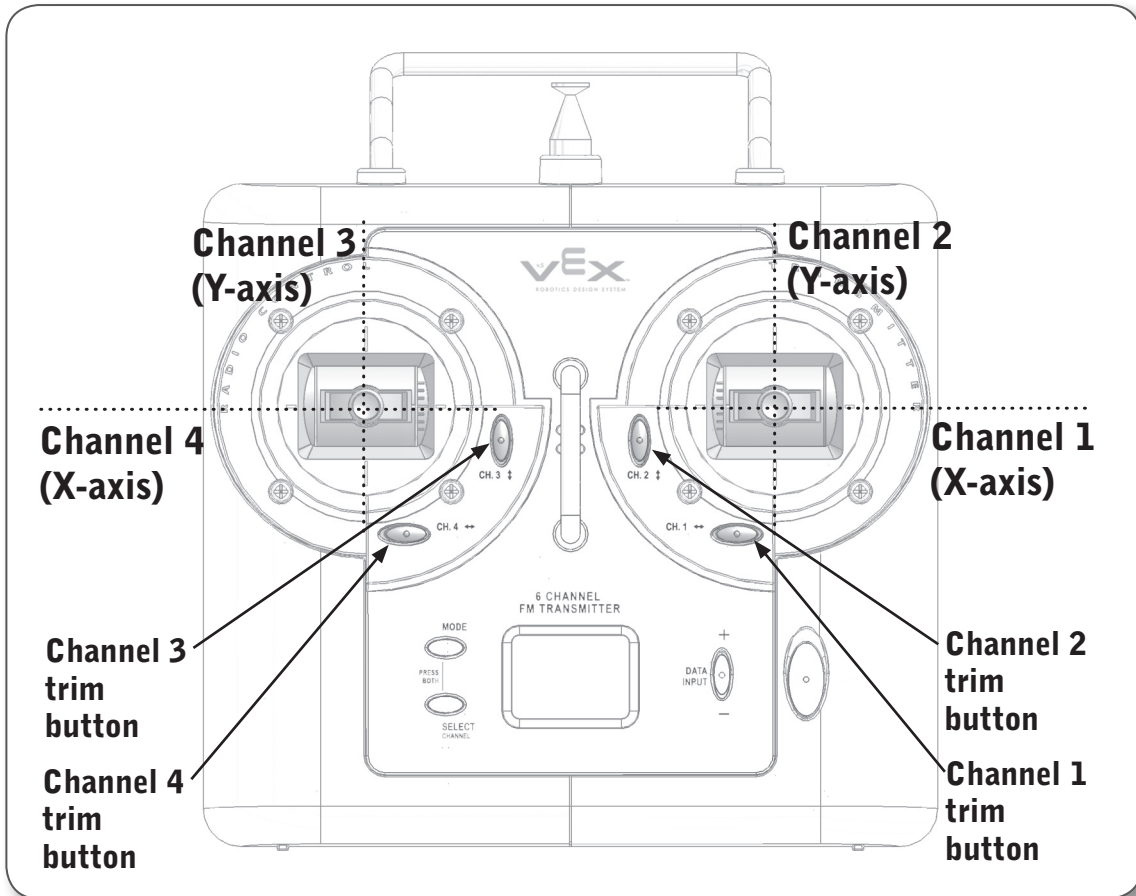
This control configuration uses only the right joystick to control both forward/reverse motion and turning motion. The name "12 mode" comes from the fact that the horizontal axis of the right stick is "Control Channel 1", and the vertical axis is "Control Channel 2", hence axes 1 and 2 ("12") are being used to drive.

In this configuration, the right stick controls both throttle, direction and turning.



## Control Subsystem, continued

### Transmitter Trim



If the motors run slowly or make “chirping” noises when the joystick is released and centered, the transmitter may need to be adjusted. This is because the joysticks are mechanical devices that may not center to the exact neutral position.

In order to counteract this problem, there are manual adjustment buttons on the transmitter that allow you to recalibrate or “recenter” the transmitter. These can be adjusted so that the “center” joystick position corresponds to neutral on the motors.

Note that each stick’s position actually breaks down into two separate measurements. One of them indicates how far left and right the stick is (the horizontal, or “X”, axis), and the other measures where it is with respect to the vertical, or “Y”, axis. These four axes (two axes times two sticks) can become miscalibrated separately, so you may need to adjust each of them independently.

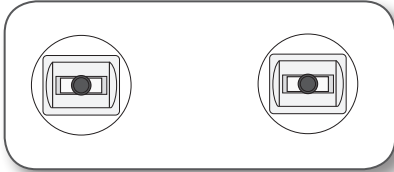
Conveniently, each axis is assigned a number (which corresponds with the motor port that it controls), so there should be no confusion between which axis or stick is which.

## Control Subsystem, continued

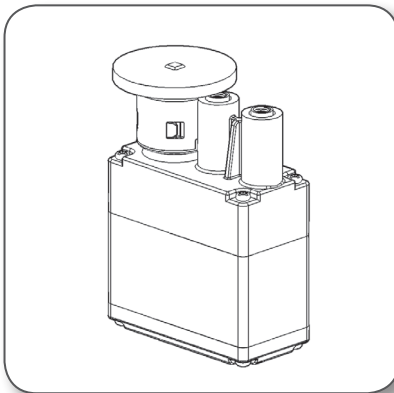
### Transmitter Trim, continued

To calibrate the sticks:

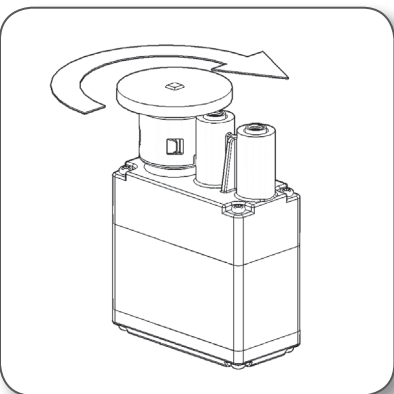
**1. Release both control sticks** so they return to their neutral positions.



**2. Hold the robot** (or just the motors, if they are not mounted) up in the air so you can see whether the motors are turning or not, and whether the servomotors are in the centered positions or not.

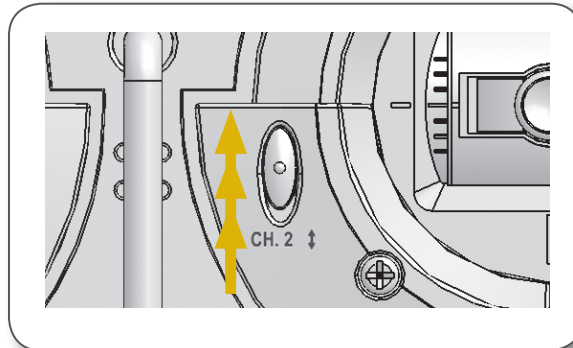


**3. If you see a motor turning** or a servomotor not centered, follow the wire back to the Micro Controller to see which port it is plugged into.



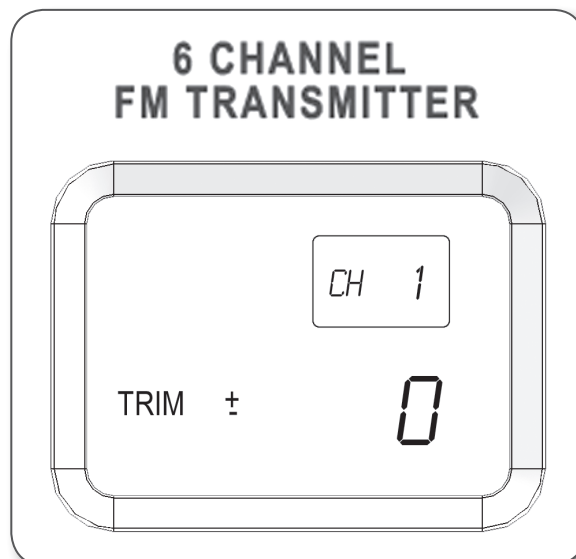
**4. Consult the Joystick Mappings** section to see which transmitter axis controls that particular port (this will depend on the Driving mode you are in).

**5. Push either direction** on the Trim Button for that axis to try and correct the problem.



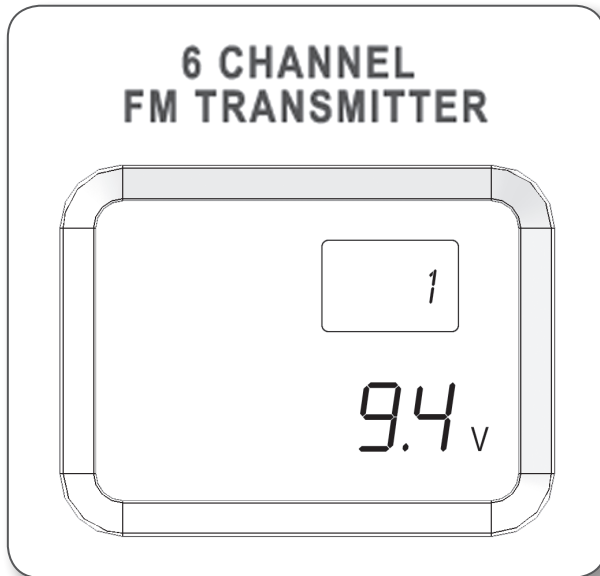
**6. Check if the motors slowed down** or got closer to center. If they did, then keep pushing the button in that direction until they are stopped/centered; if they get faster or farther from center, push the other way on the trim button instead.

**7. If you cannot get the motors to stop** because the "stop" position seems to be in between two trim settings, finer adjustments are available. Go into the menu (hold both the Select and Mode buttons for one second), and adjust the appropriate channel from the TRIM menu (push Mode until TRIM is displayed, then Select until the channel you want is displayed, then use the Data Input lever on the right to make adjustments).



## Control Subsystem, continued

### Transmitter Battery Voltage



In normal operation, the transmitter displays two numbers on the LCD screen: the configuration number (for more information on Transmitter Configurations refer to the Control Appendix), and the battery voltage on the transmitter. Note that this screen only displays the battery voltage on the transmitter, and not the robot! There is no way to monitor the robot's battery voltage using this display, so you will need to watch separately for problems arising from low robot battery power.

The transmitter's power begins to decrease at approximately 9.4V on the display. If you are at 9.4V or less, consider stopping and recharging/changing the transmitter batteries. If the voltage reaches 8.9V, you have about 10 minutes left before you hit depleted voltage, so you should stop if possible. The transmitter hits depleted voltage at 8.5V on the display. At this point, you will hear a beeping sound, a low battery indicator will appear, and performance will begin to degrade significantly. You should stop and recharge or replace the batteries at this point.

See the Power Subsystem Background Information for details.

9.4V	Battery Power somewhat low. You will need to stop soon.
8.9V	Battery Power very low (10 minutes or less remaining), stop unless absolutely necessary.
8.5V (Low battery indicator comes on, controller sounds warning beep)	Battery Power depleted. Stop now.

### Control Subsystem, continued

#### Stick Mode

Stick Mode configuration is accessed differently from the other menus. To access this mode, you must hold down Mode and Select while turning the transmitter on, rather than pressing them once it is already on.

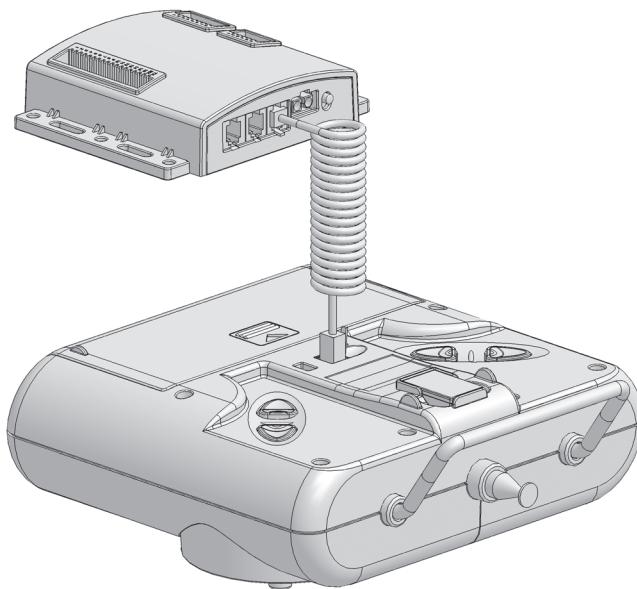
The only option you can change in the Stick Mode, is between "2" and "1". 2 is the default, and you should leave it this way unless you have a specific reason for changing it. Setting the Stick Mode to 1 will swap axes 2 and 3, so the vertical axis of the left stick becomes channel 2, and the vertical axis of the right stick becomes channel 3. Unless you have a good reason to change this, you should leave the Stick Mode on 2.

---

#### Tether Port

Sometimes for diagnostic purposes, it may be useful to plug the transmitter directly into the Microcontroller, and bypass the need for the RF Receiver. This would help you determine, for instance, whether radio interference is at fault for your robot behaving strangely, or if some other factor is to blame.

In order to use the tether feature, you will need to purchase a cable. Any telephone handset extension cable will work (the coiled cable that goes from the handset to the base of a corded phone, not the cable that goes from the phone to the wall).

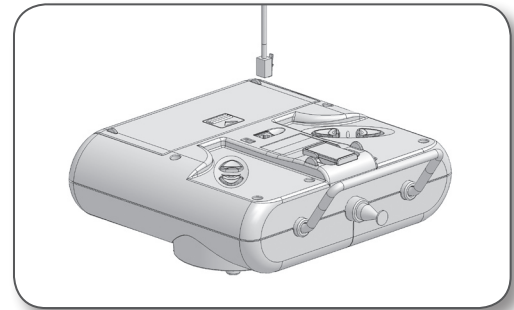


## Control Subsystem, continued

### Tether Port, continued

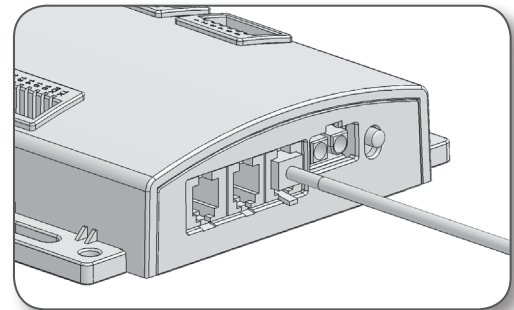
To use the tether feature:

**1. Hook up one end of the cable** to the back of your Radio Transmitter, in the port marked "Tether Port". You will need to lift up the rubber cover to gain access to the port.

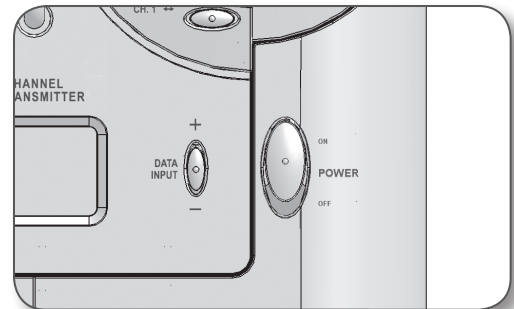


**2. Plug the other end directly into the Rx1 port** of your Microcontroller.

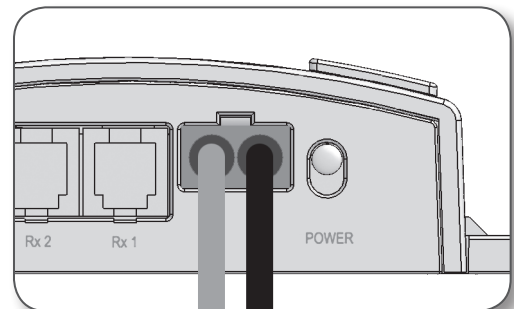
**(Note: The RX2 port allows two drivers to control a single robot. More information on this is given in the appendices.)**



**3. Turn the Transmitter on** by pushing the power switch on the Transmitter to the ON position. The Transmitter must have properly working batteries.



**4. Turn the Microcontroller on** by flipping the power switch on the Microcontroller to the ON position. The Microcontroller must have properly working batteries.

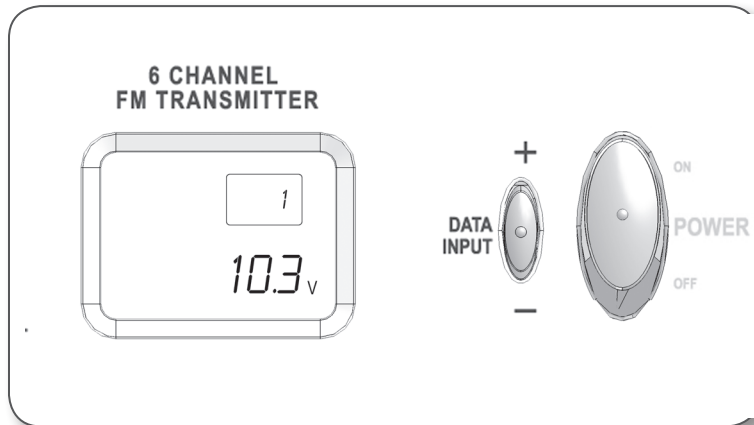


**5. Test your robot.** The controls should operate exactly as they would remotely over radio, but without the possibility of radio interference or other similar issues.

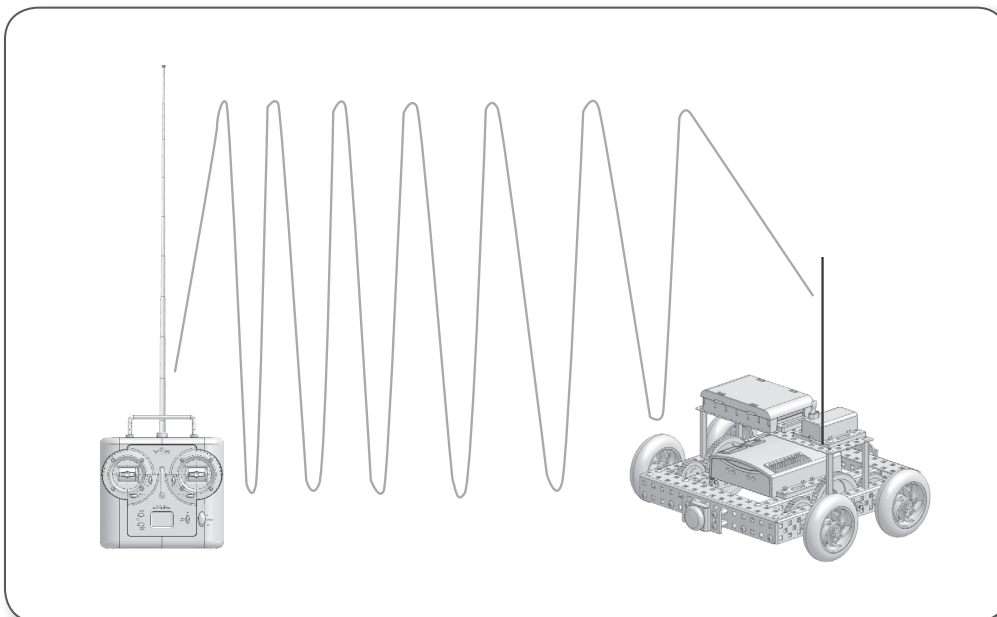
## Control Subsystem, continued

### Tips

When powering on a robot, ensure that it is positioned in such a way that it will not damage itself or its surroundings upon startup. It is possible that the receiver could accidentally pick up other radio waves which will cause the robot to behave erratically and unexpectedly.



Radio waves radiate out from the sides of the transmitter antenna, not from the tip. For this reason, you will get the best range and performance from your transmitter if you don't point it directly at your robot. Both antennas should be vertical for best reception.



Make sure the receiver antenna wire is properly mounted, and is not shielded by any metal.

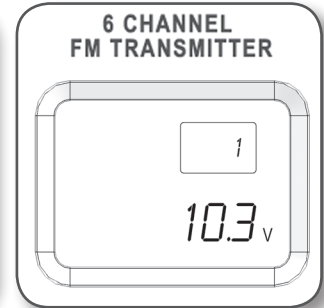
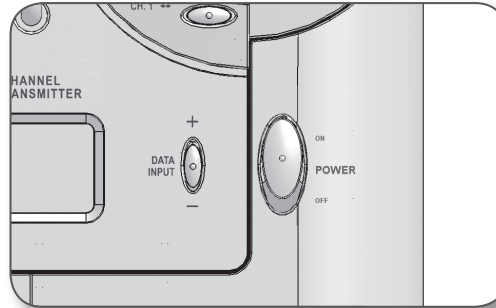
Make sure the transmitter antenna is fully extended and is securely screwed into place.

## Control Subsystem, continued

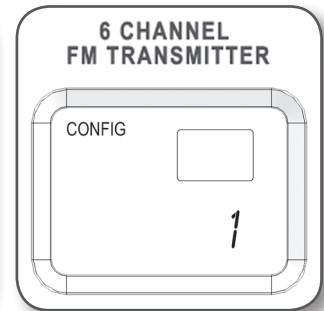
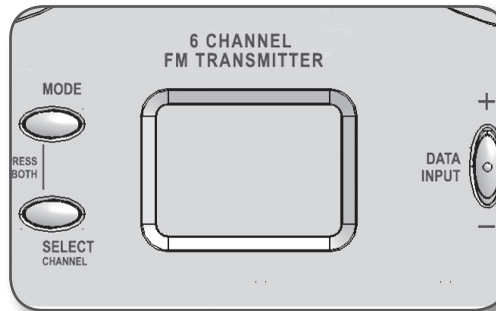
### Tips, continued

If you accidentally change a setting on your transmitter that you did not intend to change, you can reset the controls to the factory default setting through the CONFIG menu.

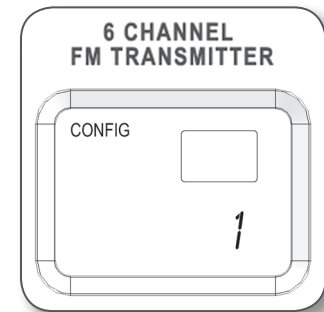
1. Turn the transmitter on by pushing the power switch into the ON position.



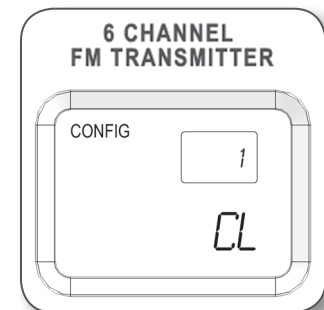
2. Hold down the Mode and Select buttons for two seconds until the menu appears. CONFIG should be selected by default.



3. If you wish to reset the data for a different robot configuration, press the "+" button on the Data Input button until the configuration number you want is displayed. If you are not using multiple configurations (see the Transmitter Appendix), then ignore this step.



4. Press the Select button. The letters CL (for "clear") should appear.



5. Push up or down toward the "+" or "-" on the Data Input button and hold for 2 seconds to reset the controls to default settings for the selected config number. The Transmitter will beep when the configuration is reset.



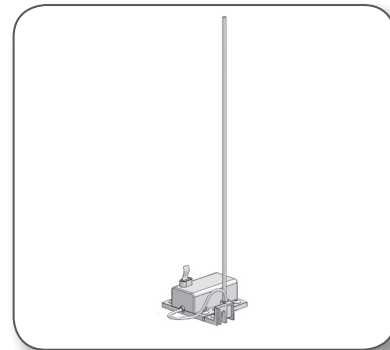
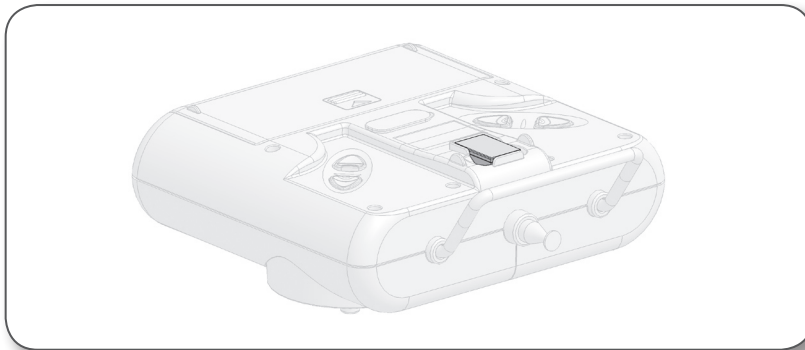
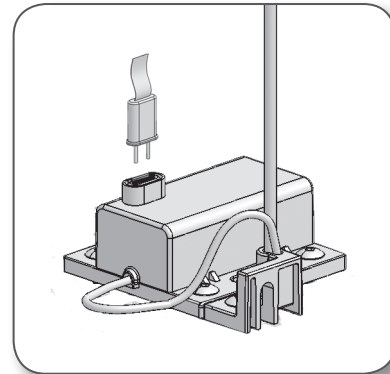
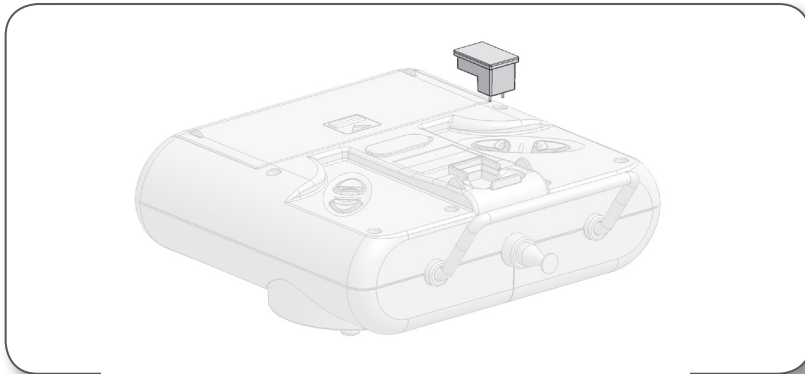
## Control Subsystem, continued

### Tips, continued

**Remember that the transmitter does not monitor robot battery voltage,** only its own transmitter battery. Watch the robot to see if it seems to be low on power.

**If more than one robot is operating in the same area,** be sure that the robots are operating on different frequencies or that one of the robots is operating via a tether, otherwise their commands will interfere with each other (see Frequency Crystals in Background Information in this chapter).

**If you own more than one set of frequency crystals,** be sure that the frequency module in your transmitter matches the crystal in your RF receiver module (see Frequency Crystals in this chapter).



### The FCC Wants You to Know

This equipment has been tested and found to comply with the limits for radio controlled devices, pursuant to Part 15 and Part 95 of the *FCC Rules*. These limits are designed to provide reasonable protection against harmful interference. This equipment generates, uses, and can radiate radio frequency energy and, if not installed and used in accordance with the instructions, may cause harmful interference to radio communications. However, there is no guarantee that interference will not occur in a particular installation. If this equipment does cause harmful interference to radio or television reception, which can be determined by turning the equipment off and on, the user is encouraged to try to correct the interference by one or more of the following measures:

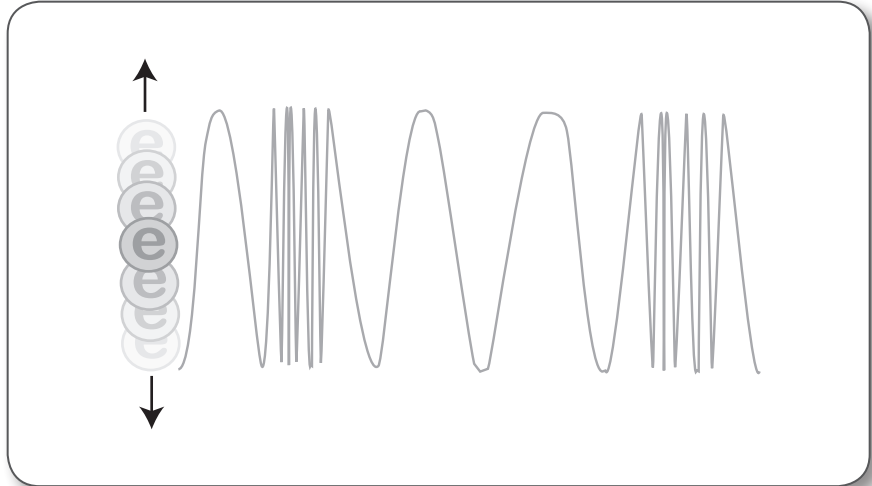
- Reorient or relocate the receiving antenna.
- Increase the separation between the equipment and receiver.
- Consult your local electronics store or an experienced radio/TV technician for help.
- If you cannot eliminate the interference, the FCC requires that you stop using your R/C transmitter.

**Warning:** Changes or modifications not expressly approved by Innovation First may cause interference and void the user's authority to operate the equipment. Only use authorized crystals designed for use with the VEX Robotics Design System RF Receiver and Transmitter.

## Concepts to Understand

### Electromagnetic Waves

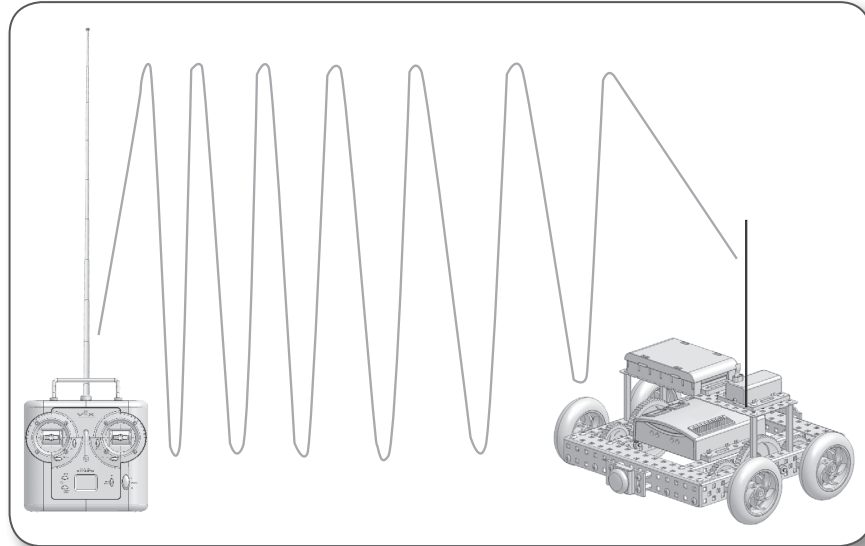
When electrons accelerate, they radiate an electromagnetic signal that moves at the speed of light. By accelerating and decelerating electrons in a controlled pattern, a wave pattern can be generated in the radiated electromagnetic field. These are called electromagnetic waves. Electromagnetic waves move at the speed of light, and are therefore very good at carrying information quickly from one place to another.



## Concepts to Understand, continued

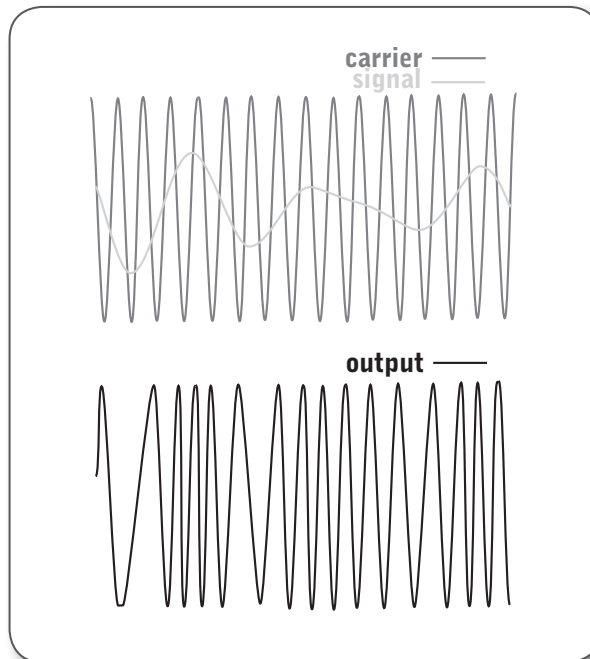
### Frequency-Modulated Signals

The VEX Radio Transmitter uses an electromagnetic wave with a certain frequency to transmit data to the RF receiver module. Frequency modulation (FM) is a way of encoding information in wave patterns such as these.



Waves have several basic properties, including amplitude and frequency. In frequency modulation, the frequency of the basic wave, known as a carrier wave, is modified by combining it with another signal known as the modulating wave. This produces a final wave that looks irregular, but is really carrying the data from the signal wave on top of the carrier wave.

FM is less susceptible to interference than other radio transmission methods, such as amplitude modulation (AM) or direct transmission of the signal wave.



## Concepts to Understand, continued

### Radio Frequencies

Since every FM signal has a set carrier wave frequency, different carrier waves can be used to carry different signals at the same time without causing interference. The air around you is filled with a multitude of different FM wave frequencies being sent from many sources, and they don't interfere with each other, because their carrier waves all have different frequencies.

To prevent chaos, there are a limited number of frequencies that can be used for radio control. In the US, the Federal Communications Commission (FCC) is responsible for distributing these frequencies among the various industries that want to use RC. Ground vehicles operating by FM radio control have been assigned the 75MHz band and must transmit their control information using a carrier frequency that is between 75MHz and 76Mhz.

### Radio Channels

Exact frequencies (which have names like 75.410MHz) are often hard to remember, or inconvenient to talk about. The frequencies that are used to transmit data in the 75MHz band are therefore also assigned channel numbers. A channel is like a nickname for a certain frequency. The carrier frequency 75.410MHz, for instance, can also be called Channel 61 for convenience.

Be careful with the term channel, however, because the term is also used to refer to "control channels," which are used to number the inputs on the transmitter (each joystick has two control channels, for instance: one for the x-axis and one for the y-axis). You will need to infer from usage context whether "channel" is being used to refer to a "radio frequency channel" (frequency) or a "control channel" (axis).

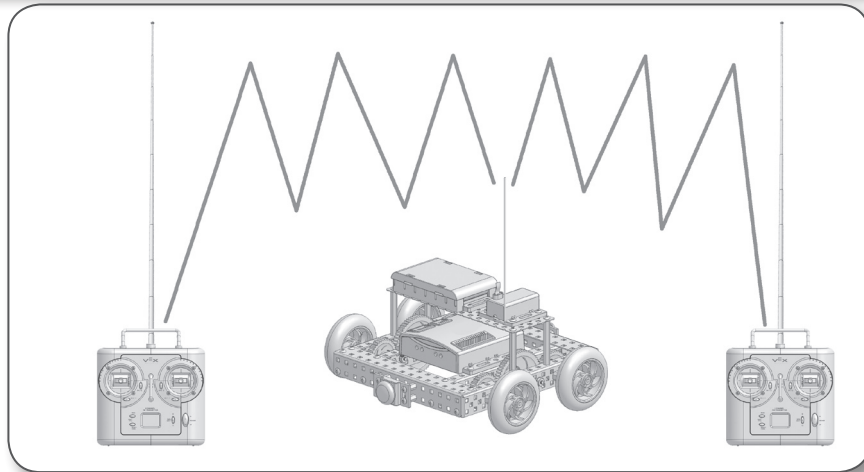
## Concepts to Understand, continued

## Frequency Crystals

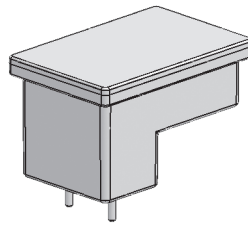
When more than one Transmitter is running in the same area (e.g. during a competition), there is potential for trouble. How can the robot determine which transmitter is sending which signal?

If all VEX Radio Transmitters and RF Receivers were to operate on the same frequency, then there would be no way for the robot to discriminate between signals. However, the VEX Radio Transmitter and Receivers are designed to be able to use a number of different FM carrier frequencies (see Radio Frequencies above). As long as each transmitter-receiver pair uses a different frequency, the robots won't get confused.

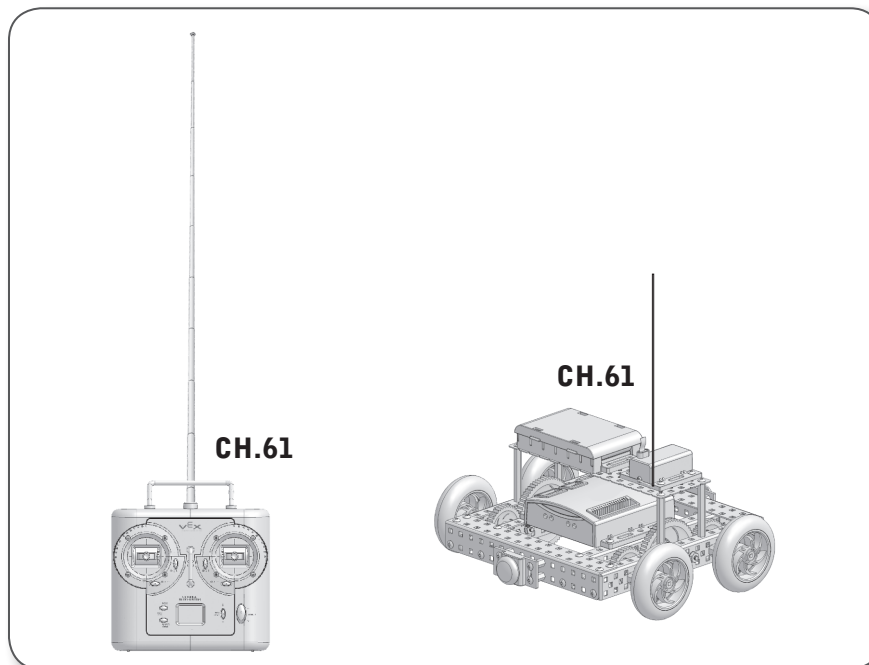
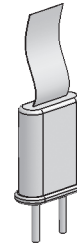
The Radio Transmitter and RF Receiver have set frequencies according to a special radio frequency crystal that is installed in them. A transmitter frequency crystal and RF receiver crystal set comes pre-installed in both the Transmitter and Receiver, but they are modular, and can be removed and replaced only with a VEX approved transmitter frequency crystal and matching RF receiver crystal. In order to compete in an environment with multiple robots or to use multiple transmitters, you will need to ensure that all transmitter frequency crystals and RF receiver crystal pairs are unique.



transmitter frequency module



receiver crystal



## Concepts to Understand, continued

### Frequency Crystals, continued

Remember, crystals come in pairs! The transmitter frequency crystal determines what frequency the transmitter will use to send commands, and the RF receiver crystal tells it what frequency to listen on. If the crystals in the transmitter and the receiver don't match, they will not be able to communicate. Always use crystals of the same frequency on both the transmitter and receiver for a given robot.

#### Crystals available for use with the VEX Robotics Design System

TX/RX	= Ch. 61 (75.410MHz )
TX/RX	= Ch. 89 (75.970MHz )
Additional Crystal Kit #1	= Ch. 65, 69, 81, 85 (75.490, 75.570, 75.810, 75.890MHz)
Additional Crystal Kit #2	= Ch. 63, 67, 83, 87 (75.450, 75.530, 75.850, 75.930MHz)

Inventors should only use VEX authorized RF receiver crystals and transmitter frequency crystals.

### Joystick Mechanism

The joysticks on the radio control transmitter are actually part of a variable resistor component in the transmitter circuit. Pushing the sticks in one direction or another changes the electrical resistance of a potentiometer inside the transmitter, which in turn causes a change in voltage. The transmitter will then send a different signal to the receiver based on this voltage. For instance, the transmitter may expect the sticks to provide a resistance that produces a voltage of 2.5V when centered.

Miscalibration occurs when the joystick circuit does not generate the expected voltage for a given position of the sticks. For any number of reasons, from manufacturing tolerances to battery voltage drop, the sticks may start providing a different number while centered, say 3.7V.

The transmitter will have no idea what is causing the 3.7V, so it will assume that it is because the stick is in the position that would normally produce a 3.7V reading. It will send a signal to the receiver indicating that the stick is in the 3.7V position. Clearly, this is not correct, and this miscommunication will cause the robot to behave oddly, because it will be responding to commands that aren't actually being given on the stick. "Trim Setting Adjustment" instructions (pages 6-8) will correct this condition.

# Subsystem Interactions

## How does the Control Subsystem interact with...

### ...the Structure Subsystem?

- The Structure Subsystem will generally provide a place to store/protect the RF Receiver module on the robot.
- The Structure Subsystem can shield radio signals and interfere with the Control Subsystem. It is important to correctly mount the antenna to minimize this interference.

### ...the Motion Subsystem?

- Unlike radio-controlled cars, the VEX robot does not directly tie the Control Subsystem into the Motion Subsystem. The commands generated by the operator using the Transmitter are sent to the radio receiver on the robot, but from there, the commands are given to the Microcontroller, which takes this and other information into account when deciding which command to give to the Motion components.

### ...the Power Subsystem?

- Broadcasting radio waves takes a significant amount of electrical power. The 8 AA batteries (or 9.6V battery pack) installed in the VEX Transmitter provide the Transmitter with all the power it needs to operate its internal circuitry and send out radio waves carrying commands to the receiver.
- The RF Receiver mounted onboard the robot, on the other hand, draws its power from the Power Subsystem indirectly, through the Microcontroller (which is part of the Logic Subsystem).

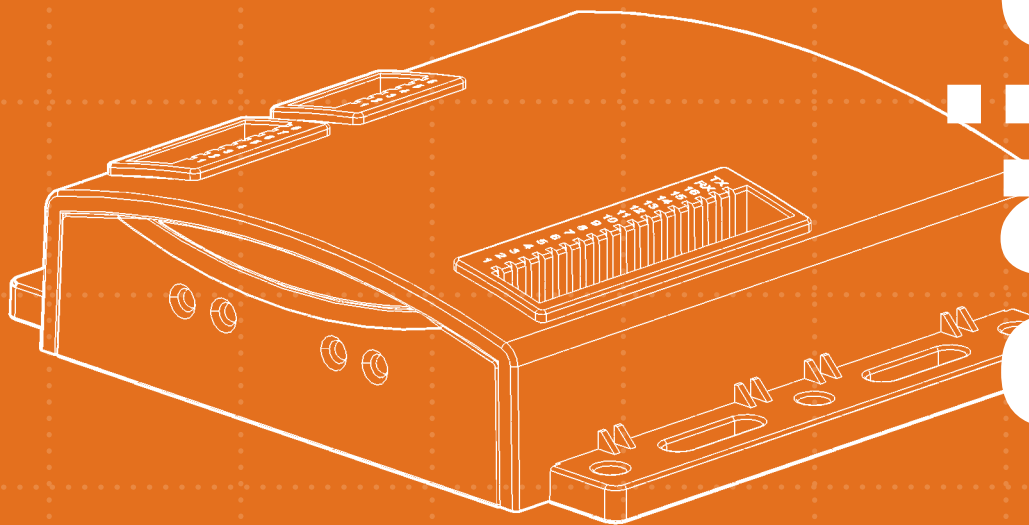
### ...the Sensor Subsystem?

- The Control and Sensor Subsystems complement each other to achieve better control of the robot. The Control Subsystem provides human control over the robot, but the human operator does not always have perfect control, or the perfect point of view to see the robot's position. The Sensor Subsystem gives the robot the ability to make its own informed decisions, and can be a substantial aid to the human operator.
- The Sensor Subsystem and the Control Subsystem both provide inputs which are processed identically in the VEX Microcontroller.

### ... the Logic Subsystem?

- The Microcontroller module controls the flow of commands from the human operator to the robot. The Microcontroller ultimately decides whether to pass joystick commands on to the motors, to modify them, or to override them, based on its programmed behavior and other information available to it (from sensors, for instance).
- The RF Receiver module is connected to the VEX Microcontroller through the 9" RJ-10 cable that runs from the back of the Receiver into the back of the Microcontroller. Up to two receivers can be supported simultaneously.
- If desired, the Transmitter can be hooked directly into the VEX Microcontroller using a tether cable, bypassing the RF Receiver.
- The specific way that the robot will respond to joystick movement is determined by a combination of Radio Transmitter and Microcontroller settings. See the Control Appendix for a full listing of control layouts.

**The Logic Subsystem has just one major component, the VEX Micro Controller. The controller is the most integral component of the entire VEX system, because it coordinates and controls all the other components. The Logic Subsystem is effectively the robot's brain.**



# Logic



# Logic

## Table of Contents:

---

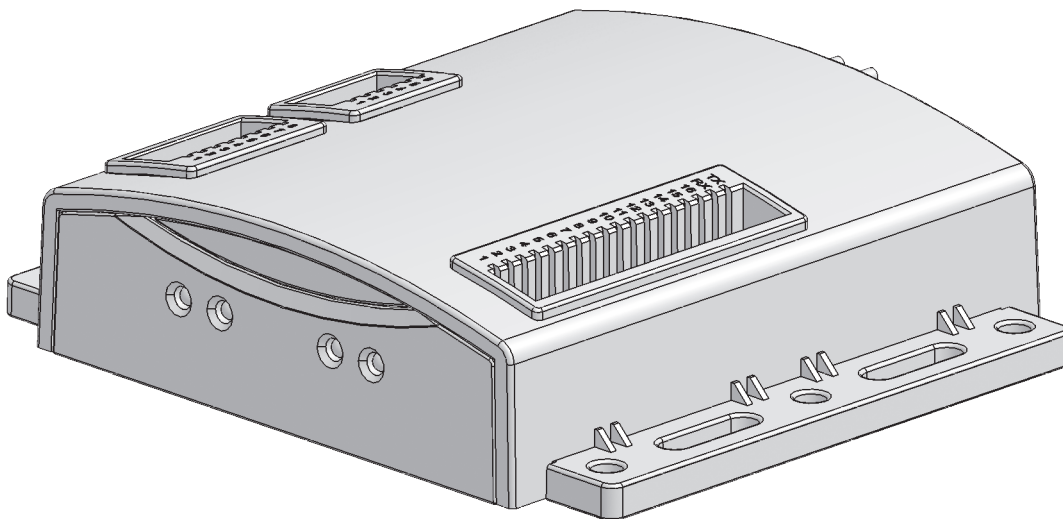
<b>Introduction to the Logic Subsystem</b>	<b>7.2</b>
<b>Concepts to Understand</b>	<b>7.10</b>
<b>Subsystem Interactions</b>	<b>7.12</b>

# Introduction to the Logic Subsystem

**The VEX Microcontroller coordinates the flow of information and power on the robot.** All other electronic system components must interface to the Microcontroller and function as a cohesive unit.

It helps to assemble the Logic Subsystem last when building your robot, because all the plugging-in of components will take place in this section. It would make the most sense if those parts were already attached to the robot before plugging them in.

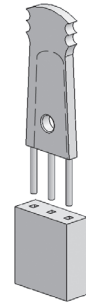
**Microcontroller Module**



# Logic Subsystem

## Jumpers

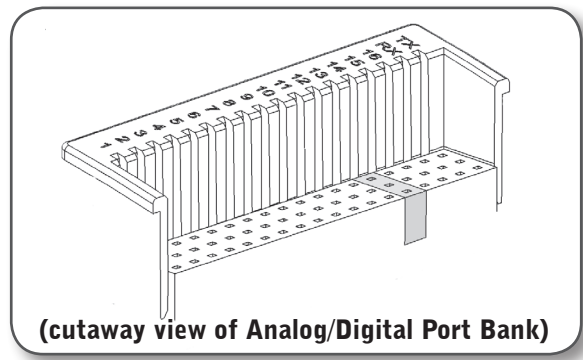
Jumpers are small plastic pieces with a metal connector inside them. When inserted into a port, a jumper completes an electrical connection between two of the metal contacts inside, like closing a switch in a circuit. In fact, software running on the Microcontroller cannot distinguish between a permanently pressed switch and an inserted jumper, nor can it distinguish between a released switch and a removed jumper. The VEX jumper clips are 3 holes wide because they join the two outer contacts in the port and skip the middle one (they don't join all three, that would cause a short circuit).



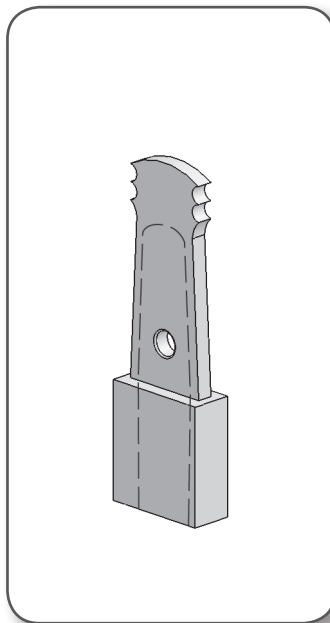
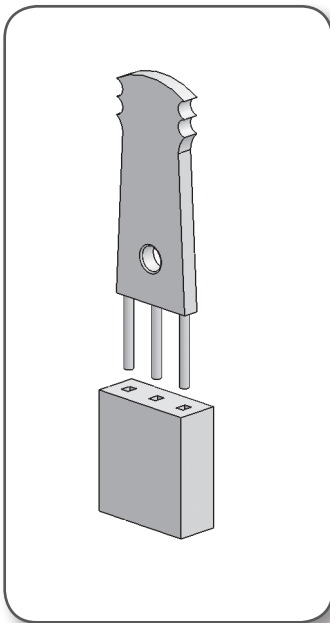
Jumpers are most commonly used to set an option on the Robot Controller by providing a Ground or Low signal on the port selected. Placing a jumper on a given Analog/Digital port will typically activate a certain behavior in the robot's programming (see Port Mappings later in this section).

## How to install a jumper

First, find the port you would like to place the jumper on. Remember that a port is a set of three holes running horizontally next to the port number. A port bank (like the Analog/Digital Port Bank) consists of a collection of ports.



Once you have found the port, all you need to do is insert the jumper so that the metal pins go into the three holes, and the jumper itself sits securely in position over the port. It does not matter which way you install the jumper.



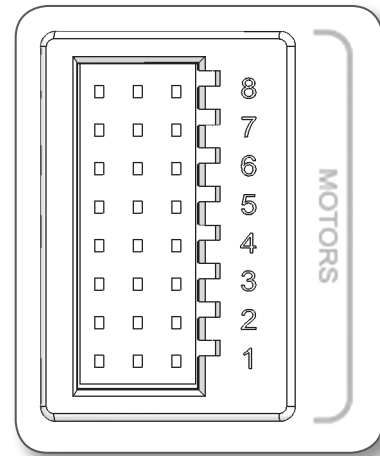
## Logic Subsystem, continued

### Port Mappings - Ports on top of the controller

#### MOTORS

These ports are for motors or servos only. By default, your robot's left drive motor goes on Port 3, and your right drive motor goes on Port 2. However, there are a number of alternate control configurations available: see "Basic Controller Operation" in the Control Subsystem chapter for basic configurations, and "Advanced Operator Control Configurations" at the end of this chapter for more advanced options (including the 4WD mode mentioned in the chart below).

Shown here are the motor port allocations for the two "Basic" control layouts. For more details consult the "Control" Appendices at the end of this manual.

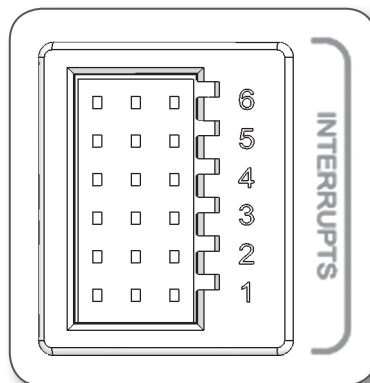


	DEFAULT "23 mode" Control Tank Style	"12 mode" Control Arcade Style
Motor Port 1	*	LEFT MOTOR
Motor Port 2	RIGHT MOTOR	RIGHT MOTOR
Motor Port 3	LEFT MOTOR	*
Motor Port 4	*	*
Motor Port 5	*	*
Motor Port 6	*	*
Motor Port 7	Right Rear Motor in 4WD mode **	Right Rear Motor in 4WD mode ***
Motor Port 8	Left Rear Motor in 4WD mode **	Left Rear Motor in 4WD mode ***

- \* The inventor may use these motor ports to control inventor designed accessories.
- \*\* Only with Jumper 15 set on the Microcontroller.
- \*\*\* Only with Jumper 16 set on the Microcontroller.

#### INTERRUPTS:

Interrupts are digital inputs designed for high priority signals that need immediate attention from the Microcontroller. These are used with some of the advanced sensors of the VEX Robotics Design System, such as the Ultrasonic Range Finder or Quadrature Shaft Encoder.



## Logic Subsystem, continued

### Digital/Analog Input Ports:

This is a bank of 16 multipurpose input/output ports. In the pre-programmed configuration, most of these ports (1-12) are used as sensor inputs, and have behaviors associated with them that are activated when a sensor is plugged in and activated. The remainder are used to configure advanced settings on the controller by setting or removing jumpers.

### Jumper Ports

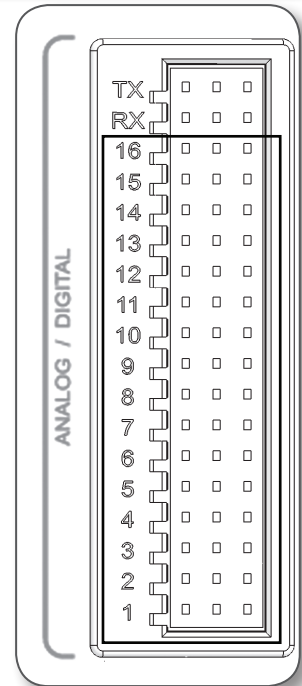
Port	Function	For More Information
Jumper Port 16	"12 Mode" 4-Wheel Drive Enable/Disable	Advanced Operator Control Configurations section in this chapter
Jumper Port 15	"23 Mode" 4-Wheel Drive Enable/Disable	Advanced Operator Control Configurations section in this chapter
Jumper Port 14	"Software 12 mix Mode" Enable/Disable	Advanced Operator Control Configurations section in this chapter
Jumper Port 13	Autonomous Mode Enable/Disable	Autonomous Mode section in this chapter

### Sensor Ports

Port	Function	For More Information
Sensor Port 12	Autonomous Mode Collision Detection Sensor Ports	Autonomous Mode section in this chapter
Sensor Port 11		
Sensor Port 10	Collision Emergency Stop Ports	Sensor Subsystem Chapter
Sensor Port 9		
Sensor Port 8	Limit Switch Ports	Sensor Subsystem Chapter
Sensor Port 7		
Sensor Port 6		
Sensor Port 5		
Sensor Port 4		
Sensor Port 3		
Sensor Port 2		
Sensor Port 1		

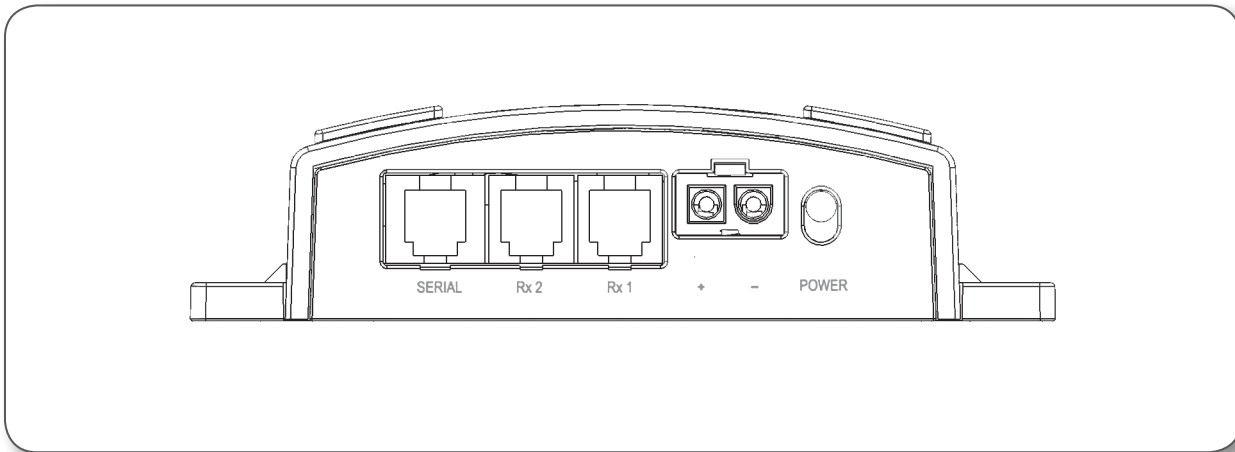
### TX/RX Ports

At the end of the Digital/Analog Port Bank are two ports marked TX and RX. These ports allow the user to communicate directly with the user processor inside the Microcontroller via a TTL serial port. This is a feature for advanced users only and is not needed for normal operation.



## Logic Subsystem, continued

### Port Mappings - Ports on the back panel of the controller



#### Serial (Programming) Port

This port is for use with the VEX Programming Kit. This port allows the user to communicate with the processor inside the Microcontroller. One can hook a computer up to the VEX Microcontroller through this port to either download code into the Microcontroller, or to receive feedback from the Microcontroller. Both the User and master processors can be programmed from this port.

#### Rx1 and Rx2 (Radio Receiver) Ports

These ports are for radio receivers to communicate with the Microcontroller. The VEX Microcontroller supports up to two receivers simultaneously, allowing two operators to control different parts of the same robot at the same time. One operator will usually focus on maneuvering the robot, while the other operator runs the other onboard attachments and equipment. This two operator mode requires 2 different crystal sets, a TX/RX pair for each operator.

Rx1: Primary operator (driver) port

Rx2: Secondary operator port

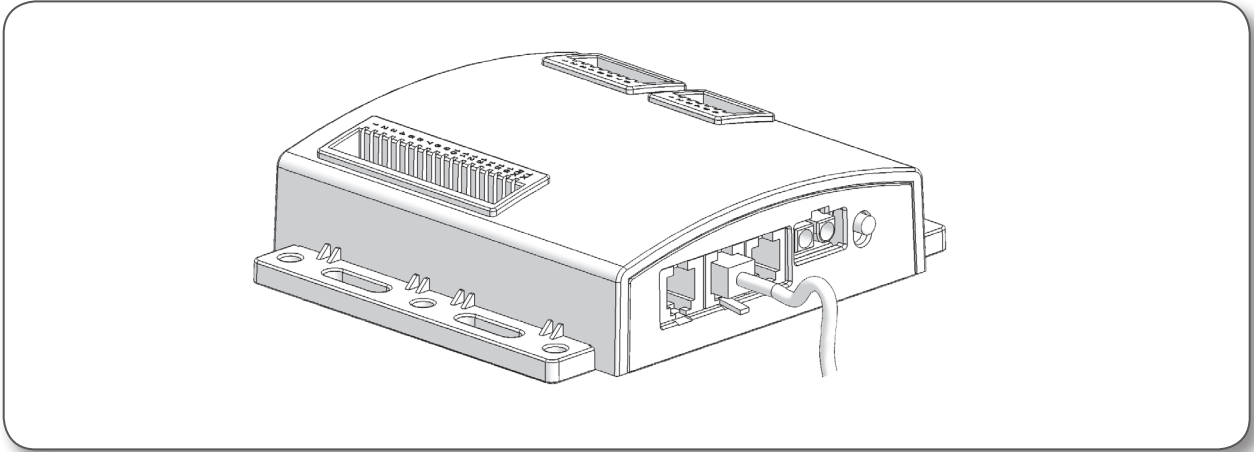
#### (+ - ) Battery Port

This is a standard connector for 7.2V power sources, such as the Battery Holder or the VEX 7.2V Robot Battery. It is "keyed" with an asymmetric plug shape to prevent accidental insertion in the wrong direction. The Microcontroller draws power for both its own operation and for all other attached devices through this port.

## Logic Subsystem, continued

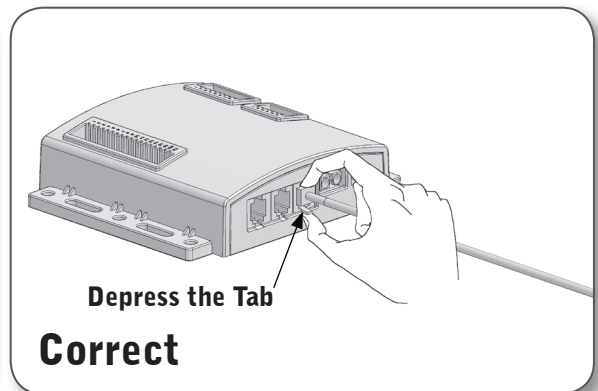
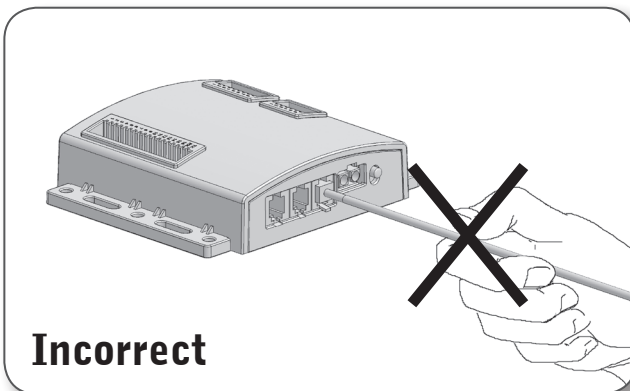
### Wires and Connectors

**Be careful with wires.** Not only are they crucial for your robot to work, but they are fragile and often messy to manage, and worse, they have a tendency to become exposed to environmental hazards (like other robots that can snag on them). Here are a few tips:



**Tie your wires.** The VEX Robotics Design System comes with lots of wire ties, so there is no excuse for not tying your wires down to keep them safe! Tie wires to parts of your robot that are far away from moving parts if possible, and try to keep them out of the way of areas where you will need to do maintenance work. Be extremely careful when removing wire ties. It is easy to nick or cut wires running through the ties while trying to cut the tie.

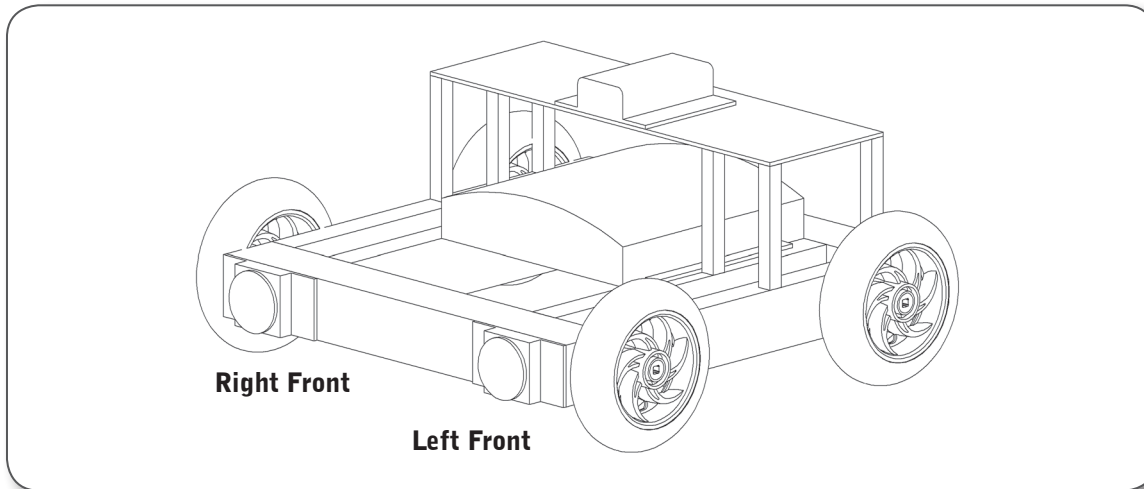
**Don't pull wires.** When removing a (serial or RX) wire that is already plugged in, never pull on the wire itself. Always grip the connector head depressing the tab and pull. Never apply force to the wire, or it may become detached from the head.



**Don't force connectors.** All the connector ports in the VEX Robotics Design System are "keyed", meaning that the plastic connectors are constructed so that they only fit in one direction. Do not force connectors in backwards! Not only will this physically damage the port and head, but you also risk electrical damage to the Microcontroller and the component you were trying to plug in.

## Logic Subsystem, continued

### Autonomous Mode



Port	What to plug in	Function
Analog/Digital 13	Jumper	Activates autonomous mode
Analog/Digital 11	Left-front Bumper Switch Sensor	Left side collision detector
Analog/Digital 12	Right-front Bumper Switch Sensor	Right side collision detector
Motor Port 3	Left Motor	Move robot according to commands issued by autonomous mode program
Motor Port 2	Right Motor	

Autonomous mode allows the robot to operate one very simple pre-programmed behavior without any human input. When enabled, the robot will wander around, using a pair of bumper or limit switch sensors to detect obstacles.

- You must enable Autonomous Mode in order to use the autonomous behavior. Place a Jumper Clip on Digital Input 13 to enable Autonomous Mode operation.
- Plug the Bumper Switch or Limit Switch Sensors into ports 11 and 12 to use this behavior. The “left-front” sensor should go into port 11, and the “right-front” sensor should go into port 12.
- The robot will begin running autonomously 2-3 seconds after being turned on. The delay is intended to give the person who turns it on some time to get out of its way.
- The robot will drive forward without human control when in Autonomous Mode. When the bumper switch on input port 11 is pushed in, the robot will interpret this as an indication that it has run into an immovable obstacle on the left side, and will turn to the right until the switch is no longer pushed in. The bumper switch on input port 12 does the same thing, but monitors the right side and makes the robot turn left when it is pushed.
- Human control is disabled! Be sure to watch the robot to ensure that it does not venture into any dangerous areas. In particular, the robot has no way of detecting “negative obstacles”, like ditches or cliffs. Pick up the robot and stop it if it is in danger of damaging itself!



## Logic Subsystem, continued

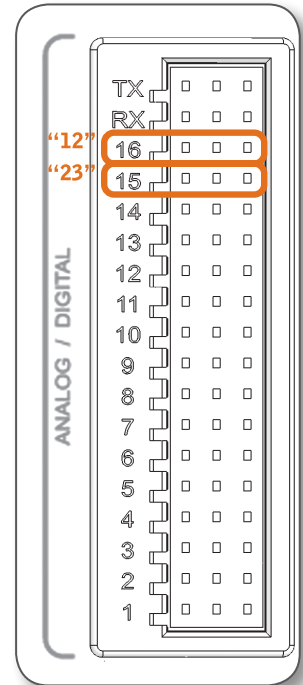
### Advanced Operator Control Configurations

The descriptions below are summaries. You will find a complete listing of different control layouts in Appendix D.

#### 4WD (Four Wheel Drive) Jumpers 15 and 16

Jumpers 15 and 16 are used to set the robot into four-wheel drive mode, which uses four motors to run a four-wheeled robot (one motor on each wheel). The two left wheels will always turn together, as will the two right wheels.

The rear-left motor should go on Motor Port 8, and the rear-right motor should go on Motor Port 7. If the Transmitter is in "23 mode", you should then attach a jumper to Digital/Analog input port 15. If the Transmitter is in "12 mode", put the jumper on port 16 instead. If you wish to use both 4WD and "Software 12 mix" mode (see below), you do not need either jumper 15 or 16, because the "Software 12 mix" automatically enables 4WD.

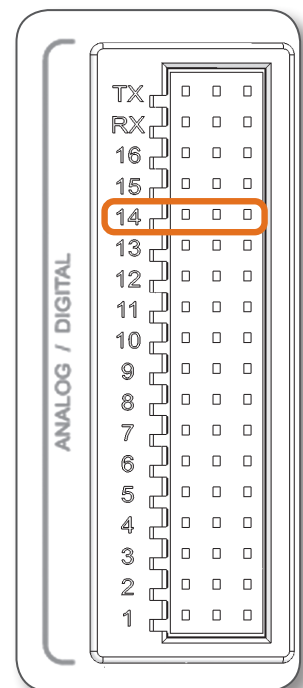


#### "Software 12 mix" Jumper 14

Placing a jumper on this port will activate programming on the Microcontroller that will allow it to behave as if you had activated the "12 mode" on the Transmitter (see Basic Controller Operation in the Sensor Subsystem chapter for more information on "12 mode" on the Transmitter). You must set the Transmitter itself to "23 mode" in order to use this feature otherwise your controls will not behave correctly (your input will be "mixed" twice, producing the wrong motor commands).

This version of the "12 mode" is slightly different from the Transmitter's "12 mode", however, because it will allow you to go at full speed straight forward, whereas the Transmitter's "12 mode" will only go 60% of full speed forward. The result is that the "Software 12 mix" mode goes faster, but feels like it slows down during turns; Transmitter "12 mix" mode will go slower, but feels more responsive in turns.

4WD is enabled automatically in "Software 12 mix" mode, so ports 7 and 8 will be treated as right-rear and left-rear wheel motors respectively; you can hook up additional motors to use 4WD, but you can't use these ports to independently control other attachments.



# Concepts to Understand

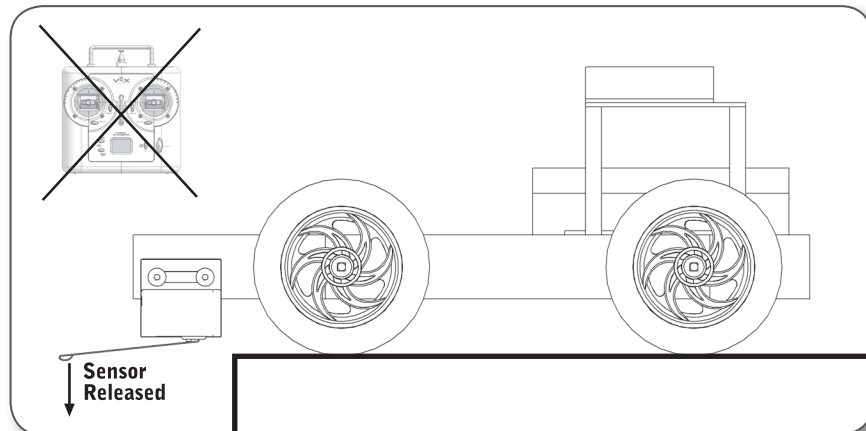
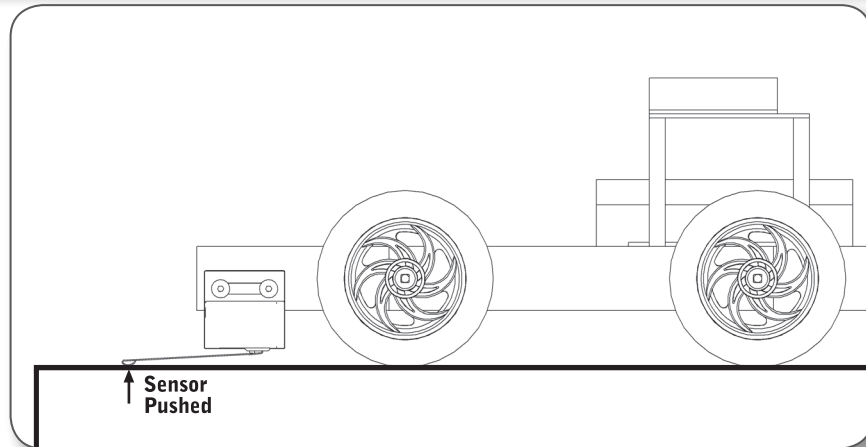
## Role of Electronic Control

**A robot is a very complex system of parts** that must work together in order to achieve a desired goal. Electronic control provided by a programmable controller like the VEX Microcontroller allows the robot to coordinate the operation of the different components and achieve its goals.

## Sensing, Planning, Acting: Cliffbot

**Robots characteristically have two major capabilities** that other mechanical systems don't have: they can sense important things about the world around them through the use of sensors, and they can process sensor information according to a pre-programmed routine. They then act on that plan, by controlling motors and other output devices.

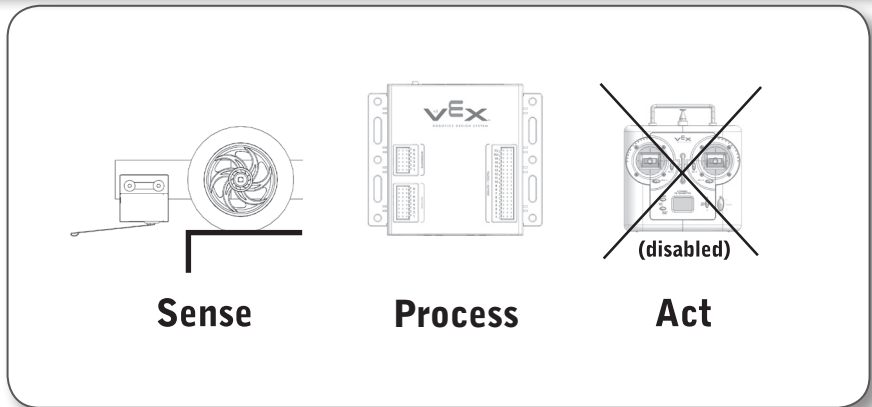
For instance, consider the robot to the right, which has been programmed to respond to radio control commands from a human operator so it can be driven just like a normal radio controlled car, except that the robot is also equipped with a "cliff detector" sensor attachment. The robot will drive around as directed, unless the sensor detects that the robot is about to run off a cliff. Upon detecting a cliff hazard, the robot would temporarily disable human control, give a visible signal to warn the driver of the danger, and then return control to the human operator, who can then maneuver safely away from the cliff (or keep going, if the robot was mistaken).



# Concepts to Understand, continued

## Sensing, Planning, Acting: Cliffbot, continued

**In order to accomplish this,** the robot needs to be able to sense the presence of a cliff hazard through the “cliff detector” sensor. If the robot doesn’t detect a cliff, then it obeys the human controller’s input, but if the robot detects a cliff, it will instead automatically stop and alert the driver.



**In contrast,** a simple radio controlled car would not have this capability. Without the ability to sense, or to react based on sensor feedback, the car would have no way to do anything but blindly follow the commands of a human controller who might not be able to see very well from where he or she is standing...



# Subsystem Interactions

## How does the Logic Subsystem interact with...

### ...the Structure Subsystem?

- The Structure Subsystem holds the Microcontroller in place. Since the Microcontroller is a very delicate and important part of the robot, the Structure Subsystem will also need to provide physical protection for the Microcontroller by keeping it in a secure spot.
- The Structure Subsystem does not plug into the Microcontroller in any way; however, the Structure Subsystem does need to provide accommodation and protection for the wires that run between the Microcontroller and other pieces.

### ...the Motion Subsystem?

- The Logic Subsystem provides power and issues output commands to the Motion Subsystem components. Though these commands are usually based on user input (relayed through the Control Subsystem), the final decision on what command is issued, as well as the actual flow of electricity (from the Power Subsystem) is all controlled by the Logic Subsystem.
- Motors from the Motion Subsystem plug into the Motors port bank on the top of the Microcontroller.

### ...the Sensor Subsystem?

- The Logic Subsystem relies on feedback from the Sensor Subsystem to provide information about the robot's environment. It uses this data to make informed decisions about how the robot should behave.
- The actual behavior that is activated when a sensor is triggered depends on which port the sensor is plugged into on the Microcontroller and the Code being executed.

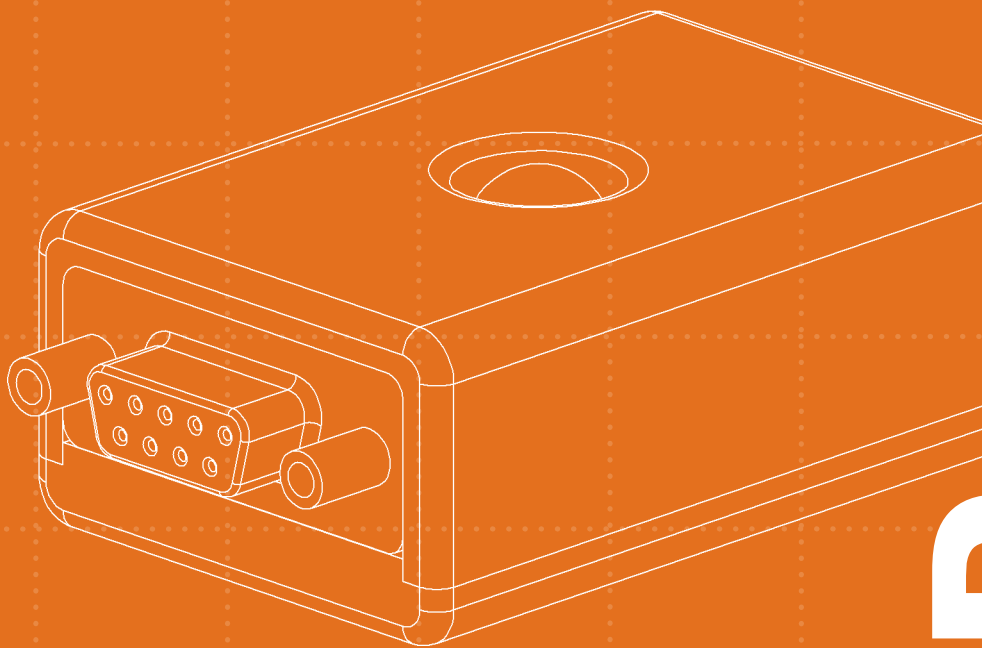
### ...the Control Subsystem?

- The Microcontroller module controls the flow of commands from the human operator to the robot. The Microcontroller ultimately decides whether to pass joystick commands on to the motors, to modify them, or to override them, based on its programmed behavior and other information available to it (from sensors, for instance).
- The RF Receiver Module is connected to the VEX Microcontroller through the yellow control cable that runs from the back of the Receiver into the rear of the Microcontroller. Up to two Receivers can be supported simultaneously.
- If desired, the Transmitter can be hooked directly into the VEX Microcontroller using a tether cable, bypassing the RF Receiver Module (see the Control Subsystem chapter for details).
- The specific way that the robot will respond to joystick movement is determined by a combination of Transmitter and Microcontroller settings. See Appendix on Control for a full listing of control layouts.

### ... the Power Subsystem?

- Since the Microcontroller is a device that contains a large number of electronic components, including two computer processors, it needs power, which is provided by the Power Subsystem.
- The Microcontroller redistributes electrical energy from the Power Subsystem battery to the other subsystems' components (like motors).
- The Power Subsystem battery holder (or battery pack) connects to the Microcontroller module using a two-pin connector inside a plastic housing, which is mechanically keyed to prevent it from being plugged in backward. The port is on the rear of the Microcontroller next to the power switch.

**The Programming Accessory kit is unique in that its most important component is not a physical piece. It is the program, the systematic set of rules that tells the robot how to behave. By altering this program, you can achieve full control over the way your robot will respond to any situation it might encounter.**



# Programming

# Programming

# Programming Your VEX Robot

To utilize the VEX Robotics Design system without Autonomous Programming or robot sensors, there is no extra software required. The system works fine “out of the box” for general robot operation. Minor changes to robot functionality (e.g. joystick scaling, motor reversals) can still be made via the transmitter menus or by placing jumpers in certain digital I/O ports. For more information please see the Control section of the Inventors Guide, as well as Appendices D & E.

To use the system with sensor interaction or custom control, custom programs are required. Furthermore, when programming a VEX Robot for autonomous competition, extra software files are required to ensure the proper transition between “autonomous mode” and “operator control mode” during each match.

There are several options available for programming the VEX Robotics Design System. These options give you the ability to modify the program contained inside the VEX Microcontroller. This allows you to configure your robot to behave in any situation it might encounter. In addition, these options support Autonomous Programming.

To learn more about the various programming options and to download the necessary software files, please visit the programming section of [www.VEXrobotics.com](http://www.VEXrobotics.com).

# Reference



# Safety Considerations

## General Safety Guidelines

- **Always wear safety glasses** to protect your eyes. Note that normal glasses, while usually made of impact-resistant plastic, will not afford sufficient protection from shrapnel or flying debris.
- **Always wear close-toed shoes** to protect your feet from heavy or sharp objects which might be dropped.
- **Avoid wearing loose-fitting clothing** which can become caught in moving parts of the robot or whatever machinery you may need to use during the construction of the robot.
- **If you have long hair**, keep it tied back or under a hat to avoid it becoming caught in moving parts.
- **Do not wear gloves when operating machinery** (e.g. drill press or belt grinder), as gloves may become snagged and drag your hand into the machinery.
- **The kit contains small parts.** Do not ingest. Do not insert into any orifice (e.g. nostrils).
- **NO HORSEPLAY**

## Safety Considerations, continued

### Subsystem-Specific Safety Guidelines

- **Structure**

- Contains metal parts.  
Cutting or excessive bending can cause parts to break, resulting in sharp edges which can cut skin.

- **Motion**

When system is powered, keep fingers, tools, hair, and all other body parts away from gears, wheels, etc. Even plastic parts can painfully pinch, cut, or crush.

- **Power**

- Battery use  
Do not lick batteries.

If battery appears to be leaking or has a crystalline deposit on the outside, dispose of it immediately (wear gloves when handling, preferably nitrile or other non-reactive material).

Do not run a wire between a battery's terminals, as wire will get very hot, and the battery could be irreparably damaged or explode.

- Battery disposal  
Do not throw batteries into the trash, especially rechargeable batteries.

Contact your local waste disposal office for information on battery disposal. Batteries should be stored as directed by your local hazardous materials disposal office until pickup (usually in a hard-sided, waterproof, non-conductive container, e.g. a plastic bucket).

- **Logic**

Contains small parts. Do not ingest or insert into nostrils, ears, etc.

- **Sensors**

Contains small parts. Do not ingest or insert into nostrils, ears, etc.

- **Radio**

- Batteries: see Power section
- Mechanical: do not insert antenna into any orifice

# Glossary

## #

### **12 mode – Control Subsystem**

A Transmitter driving mode where axes 1 and 2 are used to control the primary navigation of the robot. Also called Arcade-style controls.

### **23 mode – Control Subsystem**

A Transmitter driving mode where axes 2 and 3 are used to control the primary navigation of the robot. Also called Tank-style controls.

### **4WD**

Short for Four-Wheel Drive. A four-wheel drive robot typically has four wheels, all of which are powered independently. This usage is analogous, but not identical, to the meaning of the term with respect to automobiles.

## A

### **Acceleration – Motion Subsystem**

In physics, acceleration is the change in velocity of an object over time. In robotics, acceleration usually refers to the ability of a robot to speed up or slow down quickly on demand.

### **Actuator – Motion Subsystem**

A term commonly used in industry to describe a mechanical device used for moving or triggering a mechanism.

### **Alkaline (Battery) – Power Subsystem**

A class of battery chemistries commonly used in disposable batteries. This type of battery is not suited for use in robotics applications.

### **Allen Wrench**

An L-shaped tool used to work with hex screws.

### **Analog Sensor – Sensor Subsystem**

Analog sensors communicate with the Microcontroller by sending an electrical voltage that varies between 0 and the maximum voltage.

### **Analog/Digital Port Bank – Logic Subsystem**

A group of ports on the Microcontroller used for analog and digital communication with other parts of the robot system.

### **Arcade-style Controls – Control Subsystem**

A Transmitter driving mode in which the robot is controlled with one joystick on the Transmitter, like an arcade game. Also called 12 mode because axes 1 and 2 are being used to drive the robot.

### **Attachment – Structure Subsystem**

Generally, any piece that is “attached” and not fundamentally part of the basic robot design. Usually refers to such pieces as arms or sensor modules, especially if they are removable.

### **Autonomous – Logic Subsystem**

Technically, a robot must be able to function entirely without human supervision to be considered fully autonomous. Almost all real-world robot systems are designed instead to work with partial autonomy under varying degrees of human supervision.

### **Autonomous Mode – Logic Subsystem**

The VEX robot has a simple pre-programmed autonomous mode that uses two bumper or limit switch sensors to detect obstacles as the robot wanders around a room or course.

### **Axis (Joystick) – Control Subsystem**

One of two axes (X and Y) along which a Transmitter joystick can move. Each axis on the joystick is associated with an onboard potentiometer that measures the joystick’s position along that axis.

### **Axis of Rotation – Motion Subsystem**

The imaginary line around which a spinning object rotates. This usually coincides with the axle for a wheel or gear.

### **Axle – Motion Subsystem**

A long, rigid piece through the rotational center of an object (like a gear or wheel). Axles serve two main purposes: to hold spinning bodies in place relative to the rest of the structure, and to transfer rotational motion from one spinning piece to another (as in the case of a motor axle turning a gear). Square bars are usually used as axles in the VEX system.

# Glossary

## B

### **Back-driving – Motion Subsystem**

A condition where torque is transferred backwards through a mechanical system, causing the driving element (typically a motor) to be driven instead. This can often be damaging to the mechanical system and/or the motor. A clutch can be used to disengage the motor if the back-driven force is strong enough to cause damage.

### **Battery – Power Subsystem**

Normally, any portable power source, such as the VEX battery packs. Technically, a battery is a collection of multiple cells, but single cells are often referred to as batteries in common usage.

### **Battery Holder – Power Subsystem**

The Battery Holder creates a 7.2V battery out of (6) 1.2V AA cells (by connecting them in series) or 9.6V out of (8) 1.2V AA cells. The Battery Holder also holds the AA cells in place on board the robot.

### **Bearing – Structure Subsystem**

A piece that is used to hold a moving piece (such as an axle) in place relative to the rest of the system.

### **Bearing Flat – Motion Subsystem**

A commonly used type of bearing in the VEX system. This bearing has three holes in a row. The bearing is secured to the chassis through two of the holes, and an axle is passed through the third, which allows it to spin freely but not move out of place relative to the chassis.

### **Behavior – Sensor Subsystem, Logic Subsystem**

In the context of robotics, a behavior is the pattern of actions a robot will enact when given certain inputs or commands.

### **Bumper Switch Sensor – Sensor Subsystem**

A high-durability sensor designed to detect physical contact. This is a digital sensor.

## C

### **Calibrate (Sensor) – Sensor Subsystem**

Calibrating a sensor is the process of matching sensor readings against known values to ensure that the sensor input is being interpreted correctly in the program. Simple sensors, like the Bumper and Limit Switches, typically do not need to be calibrated.

### **Calibrate (Joysticks) – Control Subsystem**

Calibrating the transmitter joysticks (also called “trimming” the sticks) is the process of adjusting trim values on the Transmitter to ensure that the sticks produce no motor movement when they are centered. A more thorough calibration process also includes setting the scaling and end points to ensure a full range of motion.

### **Carrier Wave – Control Subsystem**

The carrier wave for FM communication is a simple sine wave with a set frequency. It is then modified (modulated) by the desired signal wave to produce the final output wave that is sent to the receiver.

### **Caster Wheel – Motion Subsystem**

A free-swiveling wheel mounted on a robot to provide stability while producing a minimum of friction. The front wheels on a shopping cart are caster wheels; they support weight and stabilize the cart, but do not add significant amounts of friction like a skid would, nor do they change the maneuvering characteristics of the cart like an additional locked wheel would.

### **CCW**

Short for Counterclockwise.

### **Cell – Power Subsystem**

A single electrochemical unit producing a known voltage differential, such as a single NiCd AA battery, which has a voltage of 1.2V between the + and - terminals.

# Glossary

## **Center of Gravity – Structure Subsystem**

The robot's center of gravity is the average position of all the mass on the robot (technically, this is the center of mass, but under terrestrial gravity conditions, they are the same). It is critical that the center of gravity be kept directly over the support polygon, or the robot will fall over.

## **Challenge – VEX System**

VEX Challenges are designed to give you a specific task to accomplish by building a robot, and to open possibilities for collaboration and competition with other robot designers.

## **Chassis – Structure Subsystem, Motion Subsystem**

A vehicle's basic structural frame, plus its locomotion systems. In the VEX system, this is generally the Structure Subsystem plus the Motion Subsystem, minus any attachments.

## **Circumference**

The distance around the edge of a circle. This quantity is equal to pi times the circle's diameter, or 2 times pi times the radius.

## **Clockwise**

A rotational "direction" that prescribes turning in the same direction as the hands on a clock normally turn.

## **Clutch – Motion Subsystem**

A detachable piece normally mounted to the VEX motors that protects them from shock loads. These should not be removed under most circumstances.

## **Collar – Structure Subsystem**

A type of spacer that can be set to remain stationary at any given point along an axle. These are often used to keep other components on the axle (or sometimes the axle itself) from sliding out of position.

## **Compound Gear – Motion Subsystem**

A system of gears involving several pairs of gears, some of which share axles with each other. When calculating gear ratio, this whole system of gears behaves as if it were a single gear pair with a gear ratio that might not otherwise be achievable.

## **Compound Gear Ratio – Motion Subsystem**

The overall equivalent gear ratio produced by a group of gears in a compound gear configuration. This can often be quite high or quite low, due to the multiplicative nature of gear ratios in a compound gear system.

## **Configuration (Transmitter) – Control Subsystem**

One of the 6 different control setups stored on the RF Transmitter. Each configuration saves the Transmitter menu settings that were set while using that configuration number.

## **Control Subsystem**

The subsystem responsible for collecting human operator input and communicating it to the Microcontroller.

## **Control Channel – Control Subsystem**

One of the 6 pathways for control information traveling from the Transmitter to the Microcontroller. The X-axis of the right joystick, for instance, sends its data over control channel 1 (that axis of the stick itself is sometimes referred to as Channel 1 as a result). Note that control channels are not the same as radio channels.

## **Counterclockwise**

A rotational "direction" that prescribes turning in the opposite direction from the way the hands on a clock normally turn.

## **Crystal (Radio Frequency) – Control Subsystem**

One of the crystals that determine the frequency on which the Transmitter and Receiver operate. The crystal used in the Transmitter Frequency Module must match the crystal used in the Receiver for controls to be sent and received properly.

## **CW**

Short for Clockwise.

# Glossary

## D

### Deep Cycling – Power Subsystem

Draining a battery down to very low power (below the normal cutoff levels) before recharging it. This will wear a rechargeable battery out very quickly, and should be avoided if possible.

### Diameter

The distance from one point on a circle to the point directly across from it. This quantity is equal to two times the radius, or it can be multiplied by pi to find the circumference of the circle.

### Digital Sensor – Sensor Subsystem

Digital sensors communicate with the Microcontroller by setting an electrical voltage in the system to one of two values: either a digital LOW equal to 0V, or a digital HIGH equal to the maximum voltage on that port.

### Discharge Cycle – Power Subsystem

Technically, any period during which power is drawn from the battery and then recharged. Usually used in one of two contexts: either when referring to the usage pattern of a battery (using a battery for a short time, then recharging it constitutes a pattern of short discharge cycles), or when battery chargers automatically drain the battery before recharging it (the charger performs a “discharge cycle” on the battery).

### Drive Train – Motion Subsystem

All the parts involved in the primary locomotion system of a robot, including the motors, gears, axles, and wheels.

### Driven Gear – Motion Subsystem

In a gear train, the last gear being turned. Usually, this gear shares an axle with a wheel.

### Driving Gear – Motion Subsystem

In a gear train, the gear that provides the energy to turn all the other gears and their connected components. This gear usually shares an axle with a motor.

### Driving Mode (Transmitter) – Control Subsystem

The driving mode selected on the Transmitter through the DRIVE menu, either “23 mode” or “12 mode.” This setting (together with Jumper 14 on the Microcontroller) determines which combination of joystick axes on the Transmitter will control the robot’s movement.

## E

### Electromagnetic Waves – Control Subsystem

Technically, a time-varying electric field that propagates through space at the speed of light, caused by the acceleration of a charged particle. More simply, an electronically controllable wave that travels at the speed of light and can carry information between two points through a variety of encoding techniques.

### End Points (Joystick) – Control Subsystem

End points control the percentage of the full power command that will be sent by the Transmitter when the joystick is pushed to the edge of its movement area.

### Exponential Scaling – Control Subsystem

A control scaling method that allows for “stiffening” or “softening” of the feel of the joystick controls by causing the output command value to increase faster or slower than it normally would as the joystick is moved away from the center of its movement area.

## F

### Fastener – Structure Subsystem

A general term for pieces (such as screws) whose primary purpose is to hold two or more other components together.

### Floating – Structure Subsystem

As opposed to “locked.” Moving freely, not held in one specific place. A collar floats freely on a square bar when the screw is not tightened (it slides easily up or down the bar).

### Flush – Structure Subsystem

As in “flush against another part.” Pushed up against something, leaving no space between them. A collar is flush against a bearing when it is pushed up against the bearing as far as it can go.

# Glossary

## Four Wheel Drive – Control Subsystem

A four-wheel drive robot typically has four wheels, all of which are powered independently. This usage is analogous, but not identical, to the meaning of the term with respect to automobiles.

## Frequency-Modulated Signals – Control Subsystem

Frequency-Modulated (FM) signals are used in the VEX system to encode data in radio transmissions. Radio waves are a form of electromagnetic wave with a very high frequency. The frequencies used by the VEX system all have a carrier frequency near 75MHz, which is part of the VHF (Very High Frequency) band of the electromagnetic spectrum. This carrier wave is then modulated by the signal wave to produce a third wave, which is transmitted through the air and received by the RF Receiver Module on the robot.

## Friction – Motion Subsystem

The force between two touching surfaces moving at different speeds that acts to slow their movement relative to each other. In robotics, this usually has one of three contexts: friction between wheels and ground that results in rolling wheels slowing down, friction between wheels and ground that allows wheels to “push off” and start moving to begin with (rather than spinning in place), and friction between any two components rubbing together in the robot that result in loss of energy.

## G

### Gear – Motion Subsystem

Essentially, gears are spinning discs with teeth that prevent them from slipping past each other. Gears are frequently used to transfer rotational motion from one piece to another, and to provide mechanical advantage while doing so. The number of teeth on a gear (assuming the same spacing between teeth on both gears, so their teeth mesh properly) is directly proportional to the gear disc’s circumference, thus the number of teeth can easily be used to calculate the gear ratios of gear trains.

### Gear Ratio – Motion Subsystem

The mechanical advantage, or “force multiplier” generated by a group of 2 or more gears turning together. For simple non-compound gear trains, this can be calculated as the number of teeth on the driven gear divided by the number of teeth on the driving gear.

### Gear Train – Motion Subsystem

In general, a group of gears that turn together to transmit motion from one point to another on the robot, often providing mechanical advantage along the way.

### Gripper

An attachment designed to pick up or hold an object, often by “gripping” it with claw-like appendages.

### Gusset – Structure Subsystem

A piece used to strengthen an angled joint.

## H

### HIGH (Digital value) – Sensor Subsystem

One of two possible values in a digital system (the other is LOW). The voltage used to indicate HIGH usually corresponds to the maximum voltage of the system.

### Hub – Motion Subsystem

With wheels, the hub is the center portion of the wheel that joins to the axle.

## I

### Idler Gear – Motion Subsystem

A gear in a gear train that is neither the driven nor the driving gear, and does not share an axle with another gear in the train (i.e. does not form a compound gear). Each idler gear in the train reverses the direction of spin once, but never affects the gear ratio.

# Glossary

## **Interrupt Port Bank – Logic Subsystem**

A port bank on the Microcontroller used primarily for advanced programming functions.

## **J**

### **Jumper – Control Subsystem, Logic Subsystem**

A metal wire contained in a plastic housing that can be placed (and removed) by hand to complete (make) an electrical connection. These are most often used to “set” options on the Microcontroller by placing them in ports in the Analog/Digital Port Bank. Placing a jumper in one of these ports closes a circuit, setting the voltage for that port’s input value, just like closing a limit switch sensor would.

## **K**

### **Keys Nut – Structure Subsystem**

A variant of the standard nut that includes a toothed “crown” designed to bite into a mounting surface and prevent the nut from slipping. Nuts are used to allow a screw to function as a fastener when the actual component being fastened does not include its own threading.

### **Keying (connectors) – Logic Subsystem**

An intentionally asymmetrical construction of a connector to prevent backwards insertion. The power port on the VEX Microcontroller is keyed (the two plastic shapes in the middle are not the same), for instance, so that the power plug cannot be inserted upside-down. Keyed connectors are sometimes called polarized connectors.

## **L**

### **Lever – Structure Subsystem**

One of the six “simple machines” that provides a mechanical advantage. There are three main classes of levers with subtle differences, but in general, long pieces that rotate around any point on their length will function as levers and can provide mechanical advantage.

### **Limit Switch Sensor – Sensor Subsystem**

A small, contact-sensitive sensor that is most often used for internal regulation of movement, and should not be exposed to high-impact conditions. This is a digital sensor.

### **Linear Scaling – Control Subsystem**

A control scaling method that allows for control of the overall range of motion and sensitivity of the joysticks on the Transmitter.

### **Logic Subsystem**

The subsystem responsible for onboard robot operation, allocation of power, processing sensor feedback, and interpretation of human operator control.

### **LOW (Digital value) – Sensor Subsystem**

One of two possible values in a digital system (the other is HIGH). The voltage used to indicate LOW usually corresponds to the zero (ground) voltage of the system.

## **M**

### **Master Channel – Control Subsystem**

In a Programmable Mix, the Master Channel is the control channel that, when manipulated by the operator, will also affect the value on the designated slave channel.

### **Mechanical Advantage – Structure Subsystem, Motion Subsystem**

The ratio of the force a machine can exert to the amount of force that is put in. Mechanical advantage can also be thought of as the “force multiplier” factor that a mechanical system provides.



# Glossary

## **Memory Effect – Power Subsystem**

Technically, the phenomenon where a rechargeable battery that is repeatedly discharged to the exact same level and then recharged will develop a permanently diminished capacity. True memory effect is observed only under laboratory conditions and on board solar-powered satellites in space. The more common usage of the term is incorrect, and is frequently used mistakenly to refer to voltage drop.

## **Microcontroller – Logic Subsystem**

The “brain” of the robot. The Microcontroller contains the robot’s program and processes all signals received from both human operators and onboard sensor systems. It also manages power allocation on board the robot, and directly controls the motors.

## **Miscalibrated – Control Subsystem**

A condition where two values which should be the same do not, in fact, match each other. This occurs frequently with the joysticks on the Transmitter, which should produce a neutral motor state when centered, but will often cause motors to turn slowly instead when the sticks are released. Sensors that indicate things like distances can also become miscalibrated, and report values that do not reflect the actual physical situation.

## **Mix (Transmitter) – Control Subsystem**

A control setup where inputting commands on one control channel influences the commands being sent on other control channels.

## **Motion Subsystem**

The subsystem responsible for the generation and transmission of physical motion on the robot. This includes motors, gears, wheels, and many others.

## **Motor (Electric) – Motion Subsystem**

An electromechanical device that converts electrical energy into kinetic (physical) energy on demand. The motion generated by a motor is almost always rotational in nature, and may need to be mechanically redirected before it can be used to produce the desired effect.

## **Motor Port Bank – Logic Subsystem**

The port bank on the Microcontroller where the motors or servos are plugged in. The motors/servos receive both commands and power through these ports.

## **Motor Shaft – Structure Subsystem, Motion Subsystem**

A carried-over term from automotive engineering, this usually refers to the axle (square bar) that is directly driven by the motor.

## **Mounting Point – Structure Subsystem**

Any place where a component can be conveniently attached. An open spot on the front bumper, for instance, may serve as a good mounting point for a forward-facing sensor.

## N

### **NiCd (Nickel-Cadmium) – Power Subsystem**

The preferred battery chemistry for the VEX Robotics Design System for performance reasons. A NiCd (pronounced Nai-kad) battery is an electrochemical cell which uses Nickel metal as its cathode material, and Cadmium metal as its anode material. Cadmium is highly toxic, and should not be disposed of in the trash (call 1-800-8-BATTERY).

### **Nut – Structure Subsystem**

Nuts are used to allow a screw to function as a fastener when the actual component being fastened does not include its own threading. A screw and a nut “sandwich” the parts that are being fastened, and hold them together. The nut provides threading for the screw to lock into when none is present otherwise.

## O

### **Overcharging – Power Subsystem**

Continuing to apply a charging voltage to the battery after it has reached full capacity. This is very likely to damage your battery, and can be dangerous, as the battery will heat up rapidly while being overcharged, and may even explode if it gets too hot. Be sure your charger has the appropriate safeguards so that it will not attempt to overcharge your batteries.

# Glossary

## P

### **Parallel (Batteries) – Power Subsystem**

A battery arrangement where multiple battery cells are hooked up so that they provide the same voltage as a single cell, but drain power evenly across all the cells, thus behaving similarly to a single cell with a very large capacity.

### **Pivot – Structure Subsystem**

A structural component that provides a mounting point for another component, but rather than locking it in place, the pivot allows the attached component to swivel or turn along a specific arc.

### **Potentiometer – Sensor Subsystem**

An analog sensor which measures angular position.

### **Power Subsystem**

The subsystem responsible for storing and delivering electrical energy to the robot systems.

### **Programmable Mix – Control Subsystem**

A feature of the Transmitter that allows the operator to designate one master channel and one slave channel to be used in a configurable control mix.

## R

### **Radio Channel – Control Subsystem**

A shortened name for a radio frequency. Radio frequencies often have long names, so they are given "channel" designations to be used as shorthand. 75.410MHz, for instance, is referred to as Channel 61.

### **Radio Frequency – Control Subsystem**

A designated carrier frequency for radio transmission. Each transmitter-receiver pair should operate on its own radio frequency, and hence transmit data that will not interfere with other signals in the air. The radio frequency for a transmitter-receiver pair is determined by the frequency crystals installed in both devices.

### **Radius**

The distance from the center of a circle to the edge. This quantity is equal to half the diameter, or it can be multiplied by two times pi to find the circumference of the circle.

### **RBRC – Power Subsystem**

Rechargeable Battery Recycling Corporation. A non-profit organization that facilitates the collection of rechargeable batteries for recycling, because rechargeable battery chemicals (such as the cadmium in NiCd batteries) tend to be very harmful to the environment when thrown in the trash.  
<http://www.rbrc.org>

### **RF Receiver Module – Control Subsystem**

The Control Subsystem component that receives and decodes FM radio signals that are sent by the Transmitter. After decoding the signals, they are passed on to the Microcontroller.

### **RF – Control Subsystem**

Short for Radio Frequency, but often used to refer to any system or component that deals with radio transmission in any way (e.g. RF Receiver).

## S

### **Screw, Hex – Structure Subsystem**

A screw with a hexagon-shaped hole in the head, allowing the screw to be tightened or loosened with a hex L wrench.

### **Sensor Subsystem**

The "eyes and ears" of the robot. Electromechanical devices that can detect specific things about the robot and its environment, and communicate that information to the Microcontroller through an electrical signal.

### **Series (Batteries) – Power Subsystem**

A battery arrangement where multiple battery cells are hooked up so that their voltages are added together, thus behaving similarly to a single battery with a much higher voltage.

# Glossary

## **Servomotor – Motion Subsystem**

An electromechanical device that converts electrical energy into kinetic (physical) energy on demand. The difference between a standard motor and a servomotor is the way they respond to joystick commands. A motor will spin continuously in one direction or the other, whereas a servomotor will turn to face a specific direction within a limited arc.

## **Signal Wave – Control Subsystem**

In radio transmission, the signal wave represents the data that is being sent, converted into a wave form in order to be included in an FM transmission.

## **Skid – Motion Subsystem**

A non-wheel piece which rests on the ground and provides support for the robot, but is intended to slide when the robot moves. Skids provide support and stability without fundamentally altering the way the robot maneuvers, but they can cause significant friction, and often wear out quickly. Caster wheels are the preferred alternative in most cases.

## **Slave Channel – Control Subsystem**

In a Programmable Mix, the Slave Channel is the control channel that is partly or completely controlled by the Master Channel.

## **Software 12 Mix – Control Subsystem, Logic Subsystem**

A version of the "12 mix" arcade style controls where the control mixing takes place in software on the Microcontroller, rather than in hardware on the Transmitter. The software implementation of the controls also performs a few of the calculation differently, resulting in a somewhat different feel for the driver. This mode is activated by placing a jumper clip on top of Analog/Digital Port 14 on the Microcontroller.

## **Spacer – Structure Subsystem, Motion Subsystem**

There are several plastic spacers which are designed to slide onto square bar axles between other parts (or between parts and rails) to keep them from moving too close together. They can also be used like collars if enough spacers are added to keep the other parts from moving at all.

## **SPDT switch – Sensor Subsystem**

Short for "Single Pole, Double Throw." A switch that is activated by a single contact (single pole), but changes the state of two outputs at once (double throw). The Limit Switch Sensor is an SPDT switch, but one of the two outputs is hidden, making it function effectively as an SPST switch.

## **Speed – Motion Subsystem**

Technically, speed is the magnitude of velocity (i.e. velocity, but without indicating direction). It is most commonly used to mean the rate of movement of a vehicle. By extension, it can also mean the rate of rotation of a gear or wheel. It is also sometimes used to refer to a vehicle's potential maximum speed, as opposed to its acceleration capability.

## **SPST switch – Sensor Subsystem**

Short for "Single Pole, Single Throw." A switch that is activated by a single contact (single pole) and changes the state of a single output (single throw). The Bumper Switch Sensor is an SPST switch.

## **Stability – Structure Subsystem**

The ability of a robot to remain upright and steady while moving over terrain and traversing obstacles.

## **Stall (Motor) – Motion Subsystem**

A condition where a motor encounters so much resistance that it cannot turn. It is damaging for the motor to be in this condition. The motor can get hot and can stop functioning.

## **Stick Mode – Control Subsystem**

An advanced feature of the Transmitter that allows control channels 2 and 3 to trade places on the joysticks (2 becomes the right stick's vertical axis and 3 becomes the left stick's vertical axis). The default mode is 2, and should not be changed under most circumstances.

## **Stress (Structural) – Structure Subsystem**

Physical forces acting on an object constitute mechanical stress. Too much stress concentrated on a small area can cause parts to bend or break.

# Glossary

## Structure Subsystem

The subsystem responsible for holding the rest of the subsystems together and in place, and for protecting them from physical harm.

## Subsystem

A subdivision of a system that helps to organize the system into convenient compartmentalized functions. The lines between subsystems are not always perfectly clear (for example, a wheel's axle is both a motion-transferring device and a physical support), but they work to give a general idea of purpose for the components in a system.

## Support – Structure Subsystem

The degree of physical stability a piece has, owing to the strength of the foundation provided by the other pieces which are holding it in place. A piece which provides a physical brace or foundation for another piece is also called a support.

## Support Polygon – Structure Subsystem

The imaginary polygon formed by connecting all the points at which the robot touches the ground. In cases where the arrangement of ground contact points is complex, the support polygon is the largest convex polygon that can be formed by those points. If the center of mass of the robot is not directly over the support polygon (i.e. projecting a line straight down from the center of gravity would not intersect the support polygon) at all times, the robot will fall over.

## T

### Tank-style Controls – Control Subsystem

A Transmitter driving mode in which the robot is controlled with only the vertical axes of the joysticks. Each joystick controls the motion of one side of the robot, like an old tank. Also called 23 mode because axes 2 and 3 are being used to drive the robot.

## Tether – Control Subsystem

A cable used to connect the Transmitter directly to the Microcontroller. Using a tether allows you to control the robot by sending signals through the cable rather than through the air, eliminating the possibility of radio interference. You can use any telephone handset cable (the one that goes from the base to the handset of a corded phone) as a tether.

## Threaded – Structure Subsystem

A threaded piece has threading on or in it, which allows a screw to be fastened into it. Threading is the tiny spiraling texture on the outside of a screw or the inside of a nut (for example) that allows a screw to be locked into place.

## Torque – Motion Subsystem

Angular ("spinning") force. Torque can be converted into linear ("pushing") force where a wheel comes in contact with the ground.

## Traction – Motion Subsystem

An overall measure of how well a tire is able to grip the ground. Many factors (texture, size, material, etc.) must be taken into account when evaluating a tire's traction on different surfaces.

## Transmitter – Control Subsystem

The primary user interface device for the human operator of the robot. The Transmitter gathers input from its two joysticks and four buttons, and transmits them via FM radio wave to the RF Receiver mounted on the robot.

## Transmitter Battery Holder – Power Subsystem

The battery container for the Transmitter. The battery holder contains the 8 NiCd AA batteries in place required to operate the Transmitter. If you wish to use the 9.6V battery pack, the Battery Box can be easily removed to make room for the 9.6V pack.

# Glossary

## **Transmitter Frequency Crystal – Control Subsystem**

The swappable module in back of the Transmitter that designates the radio frequency that the Transmitter will use to communicate with the RF Receiver Module. The frequency of the Transmitter Frequency Module must match the frequency of the crystal installed in the RF Receiver Module on the robot in order for them to communicate. All VEX Systems come with the same Transmitter Frequency Module. Additional modules on different frequencies are available for purchase separately.

## **Trickle Charge – Power Subsystem**

A very low-power charge that is applied to full batteries in order to keep them full. A trickle charge counteracts a battery's natural loss of charge over time, so that the battery can be left on the charger, and still always maintain a full charge.

## **Trim – Control Subsystem**

The calibration setting for the joysticks on the Transmitter. Also, the name of the menu on the Transmitter that allows for fine tuning of these settings.

## **V**

### **Voltage (Battery) – Power Subsystem**

The electrical voltage difference between the + and – terminals on a battery. Different batteries and battery packs have different starting voltages. Voltage falls (though not all the way to 0) as the battery's power is used up, and can be used as a rough indicator of the amount of capacity remaining on a battery.

### **Voltage (Electrical) – Power Subsystem**

The difference in electrical potential between two points in a circuit or electrical field. An electron or other charged particle has more energy at one of the two points, and will tend to move toward the other point.

### **Voltage Drop – Power Subsystem**

A phenomenon exhibited by rechargeable batteries where a battery that is frequently "shallow discharged" (discharged only a little between recharges) will begin to experience reduced performance. This can be reversed by discharging the batteries to a nearly-empty safe level (when the robot automatically turns off, for example—NOT by shorting them or draining them to 0V by external means!) and then recharging them to full capacity. Repeating the drain-charge cycle a few times should restore the batteries to full performance.

## **W**

### **Washer – Structure Subsystem**

A round metal or plastic disc placed between a screw head or nut and the surface to which it is mounted. The washer gives the screw a secure surface to brace against, and prevents the screw head from bending the metal surrounding the hole and popping all the way through. Steel washers should be used with screws that are not meant to move at all. Delrin (white plastic) washers should be used when the entire screw-nut assembly is meant to turn together (e.g. the screw at the pivot of a movable arm attachment).

# User Glossary Notes

---

# Challenges

---

Part of the beauty of the VEX Robotics Design System is the ability to build robots to complete various challenges. These challenges can be self created or you can use one of many pre-existing challenges. Challenges can range from a specific task (build a robot to navigate a maze) to an entire game (build a robot to play soccer). There are no limitations to the type of challenges you can create. As you become more experienced with the VEX Robotics Design System, use your creativity to come up with more complex and advanced challenges.

For information on VEX Robotics competitions and leagues in your area, please visit [www.robotevents.com](http://www.robotevents.com).

## Challenge #1 – Robot Drag Race

---

**Description:**

The challenge is to create a robot which can cross a 10 foot stretch in the least amount of time possible. Race multiple robots against each other, or play against the clock.

**Equipment Necessary:**

- Starting & Finish Line (tape will work well)
- Time Keeping Device (stop watch)
- Tape Measure

**Setup:**

Place the start and finish lines exactly 10 feet apart, so they are parallel to each other; if you use tape, ensure that it won't mark the track surface. The robot must start fully behind the starting line.

**Background:**

This challenge is a classic drivetrain acceleration optimization. If the robot is geared too fast, it will accelerate slowly which will cost it time. There is a balance between acceleration and top-speed which each designer must find.

Note, turning is NOT important for this challenge.

**Hint:**

Try adding more power to achieve faster acceleration even at a high top-speed.



## Challenge #2 – Robot Figure-8

---

**Description:**

The challenge is to create a robot which can drive around a figure-8 shaped course in the least amount of time possible. Race multiple robots against each other, or play against the clock. Try doing multiple laps in the same race.

**Equipment Necessary:**

- Start / Finish Line (same line can be used for both)
- Two "Cones" that the robots must race around
- Time Keeping Device (stop watch)
- Tape Measure

**Setup:**

Place the two "cones" about 10-feet apart with a starting line running between them. Robots should follow a figure-8 path around the cones. The robot must start fully behind the start/finish line. During the race robots must not make contact with the cones.

**Background:**

Unlike the drag race, this course requires not only a robot with a good top-speed and acceleration but also good maneuverability.

## **Challenge #3 – Robot Tractor-Pull (Multiple Robots Required)**

**Description:**

The challenge is to create a robot which can produce a large amount of forward force. Two robots will be connected together at the back by a piece of rope. Whichever robot pulls the other over a center line wins.

**Equipment Necessary:**

- Rope or Cord to Tie the Robots together (approximately 2 feet long)
- Center Line (tape will work well)

**Setup:**

Place the center line on the ground in the center of your playing surface. Tie two robots together such that they are centered over the center line. At the start of the pull, the rope between the robots should have no slack in it.

**Background:**

Pulling force is dependant on two factors, Traction & Torque; the robot must have a large amount of traction, but it also needs enough output torque to take advantage of that traction.

**Hint:**

There are two ways to increase traction, either increase the friction of the wheels, or increase the amount of weight resting on the wheels.

Also make sure that when the robots are pulling against each other, your robot remains stable and does not tip over. (Try attaching the rope below the rear axle, and putting as much weight in the front of the robot as possible.)

## Challenge #4 – Robot Basketball

**Description:**

The challenge is to create a robot which can pick up tennis balls and deposit them in a bin (6-12" tall). Tennis balls will be scattered in an area around the bin. Race multiple robots against each other (each robot has its own bin), or play against the clock to see how fast you can pick up all the balls.

**Equipment Necessary:**

- Scoring Bin (between 6" and 12" tall)
  - A garbage can or cardboard box would work well.
- Time Keeping Device (stop watch)
- Tennis Balls (at least 3 per robot)

**Setup:**

Place the scoring bin in the center of your playing surface. Spread the tennis balls evenly around the bin on the floor. The robot must start touching the scoring bin.

**Background:**

Being fast at this challenge will primarily be determined by how quickly your robot can manipulate the tennis balls. Picking up the tennis balls quickly and accurately without a lot of driver adjustment will be the key to success. A simple reliable drivetrain is also important to the robot.

**Hint:**

Try picking up multiple tennis balls at the same time and scoring them all at once. This will make it so your robot doesn't need to go back-and-forth to the goal as much, and will save time.

## Challenge #5 – Ping-Pong-Pickup

**Description:**

The challenge is to create a robot which will pickup and hold 10 ping-pong balls as fast as possible. Race multiple robots against each other, or play against the clock. In head-to-head competition, limited ping-pong balls will result in robots competing to get as many as possible before their opponent grabs them.

**Equipment Necessary:**

- Ping Pong Balls (at least 10)
- Something to designate robot starting location
- Time Keeping Device (stop watch)

**Setup:**

Spread the ping pong balls evenly around the playing surface. If you are playing against the clock, ensure the balls are in the same location at the start of each trial. Place the starting location near the center of the playing area.

**Background:**

This challenge requires each robot to be designed with some method for picking up the ping-pong-balls and also some method for storing them. Integrating these two mechanisms together will result in a better overall system.

**Hint:**

Try using an accumulator which can pick up multiple ping-pong balls at the same time. Design a mechanism which is not reliant on precise positioning to pick up a ball. The faster the robot picks up the balls, the more successful it will be.

## **Challenge #6 – Stair Climber**

---

**Description:**

The challenge is to create a robot which can climb a standard staircase as fast as possible.

**Equipment Necessary:**

Stairway

Time Keeping Device (stop watch)

**Background:**

Climbing stairs is not a difficult thing to do, but it is difficult to do it well. There are many ways to attempt this challenge. A smooth climbing method will result in a faster speed.

**Hint:**

A larger robot may have an easier time bridging the gap between steps; this would allow it to smoothly traverse up a staircase.

## Challenge #7 – Water Delivery

---

**Description:**

The challenge is to create a robot which can effectively pick up a bottle of water and pour it in a cat or dog water bowl without spilling any.

**Equipment Necessary:**

- Bottle of Water
- Bowl (Dog or Cat Water Bowl)

**Background:**

Effectively manipulating objects is a common challenge for robots. Pouring water smoothly requires robot dexterity and good control.

**Hint:**

It is important for the robot to have a good grip on the bottle. The best robots will have grippers able to accommodate bottles of different sizes.

Think about how you would pour a bottle of water with your hand, and try to imitate this motion with your robot.

## Challenge #8 – Rope Climber

---

**Description:**

The challenge is to create a robot which can climb up a rope without “winching” it in. For an extra challenge, the robot should be able to drive up to the rope, grab it, and then begin climbing.

**Equipment Necessary:**

- Length of Rope (try different ropes to see what the robot climbs best).

**Background:**

This challenge involves a mechanism which is used for robot mobility. By starting disconnected from the rope, things get even more complicated. Once the robot has a grip on the rope, it must be able to lift its own weight. It is important that the robot not lose its grip over time.

**Hint:**

Try to make the robot as light-weight as possible to make climbing easier.

## Challenge #9 – Chasm Crosser

---

**Description:**

The challenge is to create a robot which can cross a “bottomless” pit. (Cross the pit without touching the floor below.) See how wide a chasm your robot can cross.

**Equipment Necessary:**

- Objects to form the edges of the Chasm (a pair of cardboard boxes work well)
- Ruler or Tape Measure

**Setup:**

Place the boxes a set distance apart; keep increasing this distance until your robot cannot successfully cross it.

**Background:**

Robot mobility systems must sometimes navigate across difficult terrain. Crossing a chasm or pit is an important ability for these systems to have. There are several options for crossing a chasm, the easiest of which is to just reach across the chasm.

**Hint:**

The location of the robot’s center of gravity (CG) will play an extremely important role in this challenge. Moving the CG across the chasm while maintaining a stable “footprint” on both sides will result in a successful crossing.



## Challenge #10 – Door Opener

---

**Description:**

The challenge is to build a robot capable of opening a standard household door by turning the door knob. More advanced robots will be setup to open multiple types of doors.

**Equipment Necessary:**

- Find the door you will design your robot to open.

**Background:**

Any robot operating in the real world will need the ability to open doors. Developing a robot to complete this simple “human” task is challenging. Most door-knobs are not easy for a robot to manipulate, so this is a complex mechanical challenge. The height of the door-knob adds to the difficulty.

**Hint:**

Divide the challenge into two mechanisms: the elevation mechanism which will reach the knob, and the grabber mechanism which will manipulate the door-knob. If possible, use the actuator of the elevation mechanism to assist the knob turner.

## Challenge #11 – Distance Toss

---

**Description:**

The challenge is to create a robot which can throw a ping-pong ball as far as possible. More advanced robots will be able to pickup ping-pong balls, or hold multiple ping-pong balls in a large hopper and feed them into the launch apparatus.

**Equipment Necessary:**

- Ping-Pong Ball(s)
- Tape Measure (to record throw distances)

**Background:**

This challenge is all about distance. A robot does not need a drivetrain to complete this challenge. There are multiple ways to launch a ball, search for different methods to accomplish the same task.

**Hint:**

Energy transfer is the key to launching the ball. Impart as much energy as possible to achieve great distance.

## Challenge #12 – Egg Relay

---

**Description:**

The challenge is to build a robot which can pickup an egg, carry it 10 feet, and set it down safely. Multiple robots compete against each other or race against the clock to see who can carry a dozen eggs across the course the fastest.

**Equipment Necessary:**

- (12) Eggs per Robot (hardboiled may result in less cleanup)
- Starting & Finish Line (tape will work well)
- Time Keeping Device (stop watch)
- Tape Measure

**Setup:**

Setup the starting and finish lines 10-feet apart. Place the eggs before the starting line; put them in whatever configuration you want, as long as they are all behind the line.

**Background:**

Manipulating delicate cargo is a challenge for any robot. Robots must be designed to carefully pickup the eggs; this task requires a large amount of dexterity. The egg's irregular shape adds to the difficulty.

**Hint:**

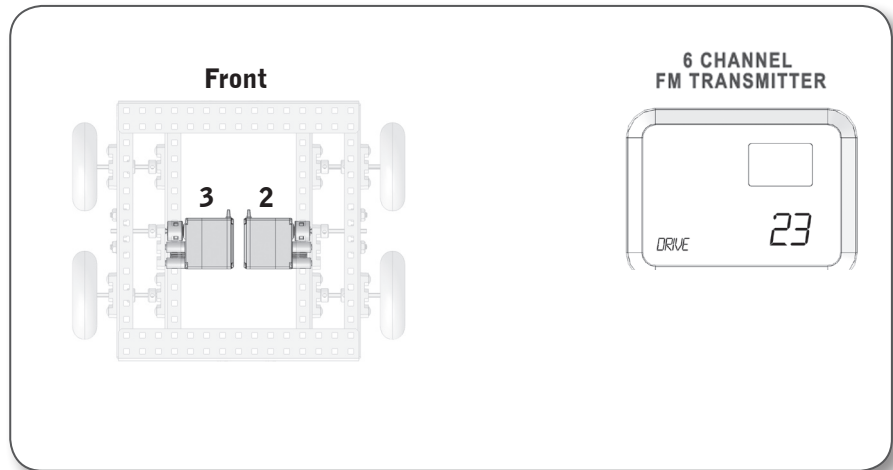
The best robots will be able to carry multiple eggs at the same time to decrease the number of "runs" they need to make.

**User Challenge Notes**

---

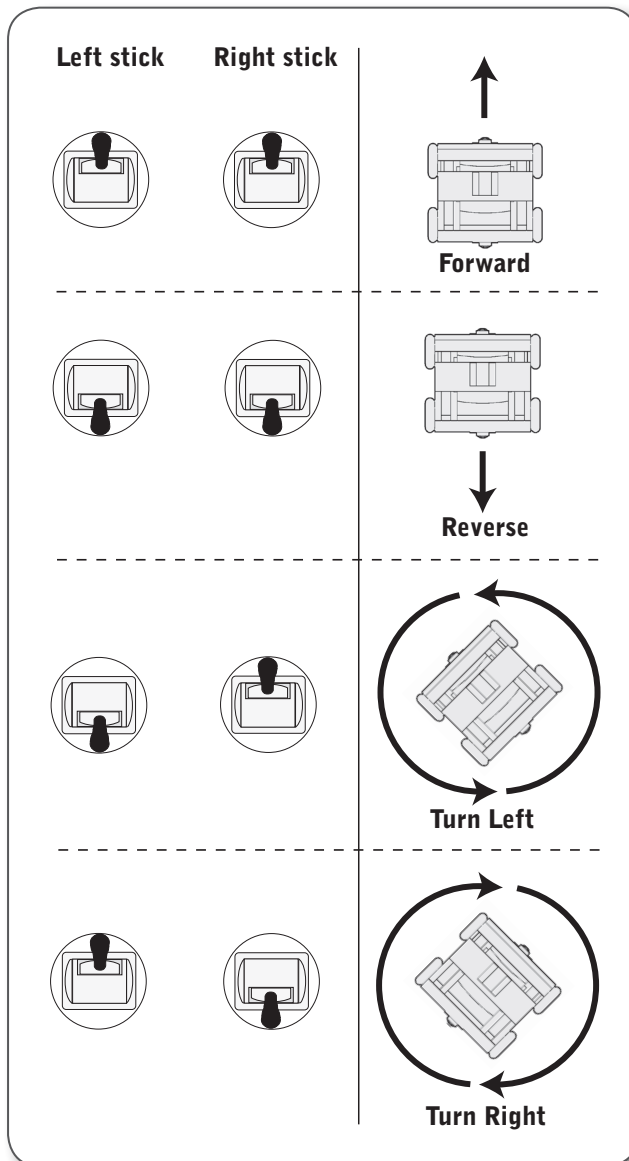
# Tank-Style Controls

For a 2-motor configuration, the left motor should plug into Motor Port 3, and the right motor should plug into Motor Port 2. The following controls will then apply.



In this configuration, every joystick "control channel" controls its same-numbered motor port.

Reference page E • 3 to return the transmitter to factory default.



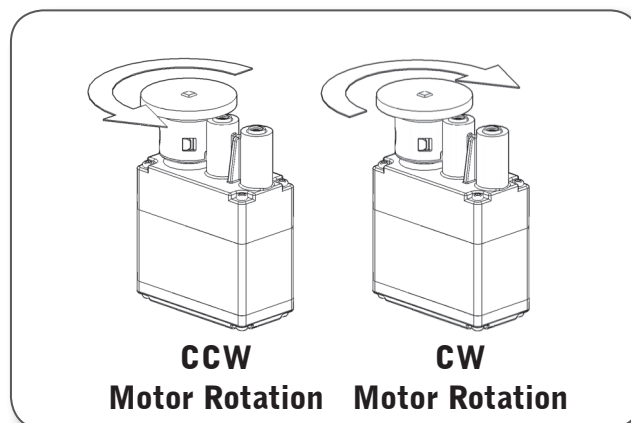
# Tank-Style Controls, continued

Transmitter in "23 mode", no jumpers set on Microcontroller

CW = clockwise  
CCW = counter-clockwise

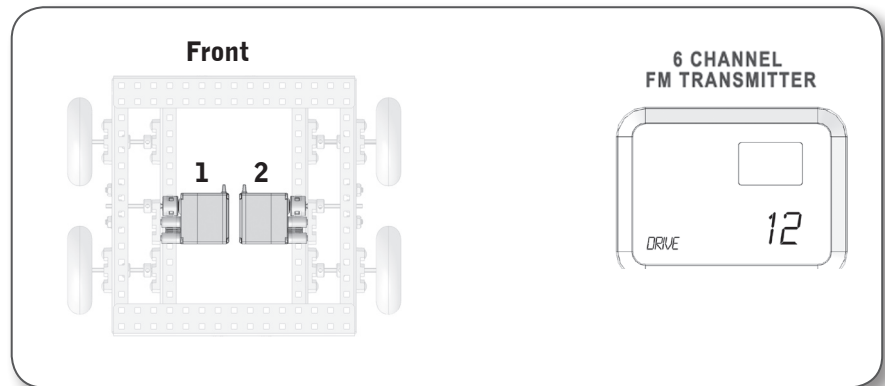
	Motor 1	Motor 2	Motor 3	Motor 4	Motor 5	Motor 6	Motor 7	Motor 8
<b>Channel 1</b>								
Stick Left	CCW							
Stick Right	CW							
<b>Channel 2</b>								
Stick Up		CCW						
Stick Down		CW						
<b>Channel 3</b>								
Stick Up			CW					
Stick Down			CCW					
<b>Channel 4</b>								
Stick Left				CCW				
Stick Right				CW				
<b>Channel 5</b>								
Top Button					CCW		CW	
Bottom Button					CW		CCW	
<b>Channel 6</b>								
Top Button						CCW		CW
Bottom Button						CW		CCW

The directions listed in this table indicate the direction of spin for a standard VEX Motor Module. VEX Servo Modules will turn in the opposite direction.



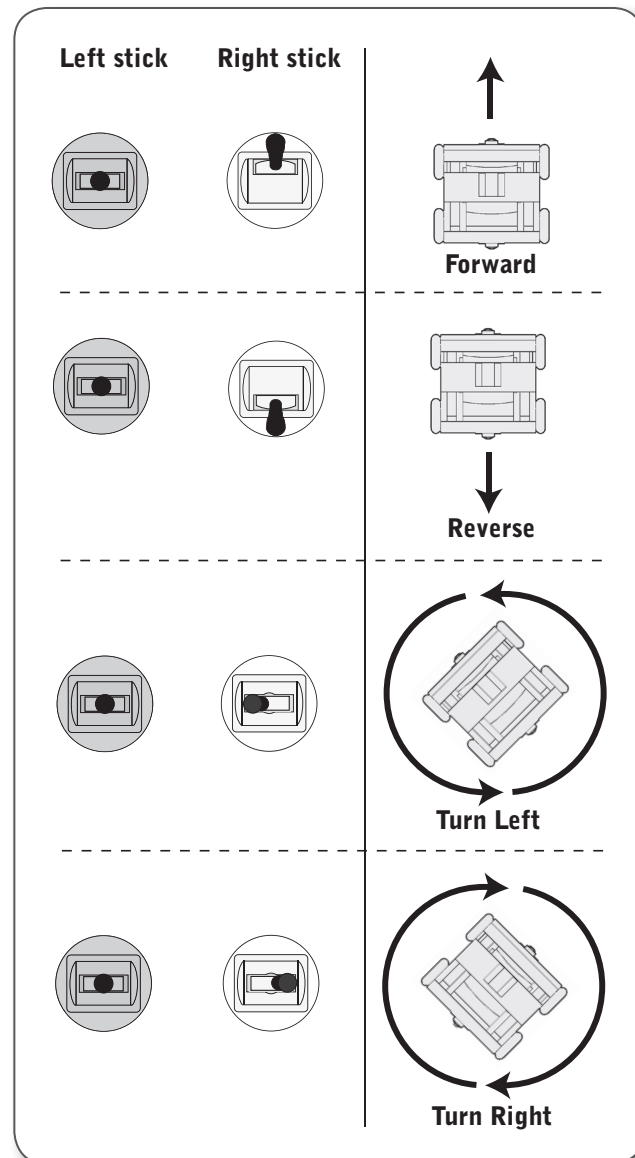
# Arcade-Style Controls

For a 2-motor configuration, the left motor should plug into Motor Port 1, and the right motor should plug into Motor Port 2. The following controls will then apply.



In this configuration, the first two control channels are mixed controls that affect both Motor Ports 1 and 2. The remaining joystick "control channels" controls their same-numbered motor ports directly.

Reference page E • 3 to return the transmitter to factory default.



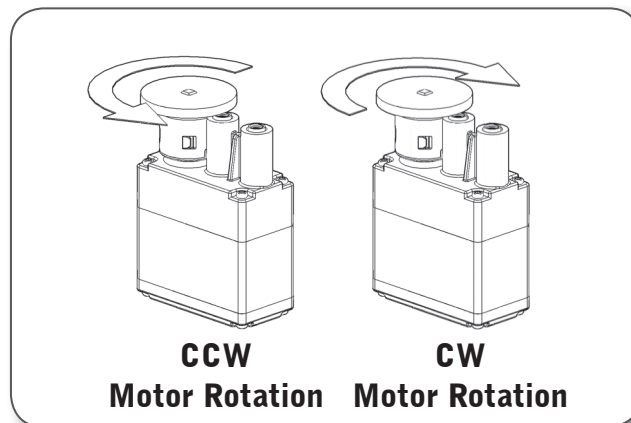
# Arcade-Style Controls, continued

Transmitter in "12 mode", no jumpers set on Microcontroller

CW = clockwise  
 CCW = counter-clockwise

	Motor 1	Motor 2	Motor 3	Motor 4	Motor 5	Motor 6	Motor 7	Motor 8
<b>Channel 1</b>								
Stick Left	CCW	CCW						
Stick Right	CW	CW						
<b>Channel 2</b>								
Stick Up	CW	CCW						
Stick Down	CCW	CW						
<b>Channel 3</b>								
Stick Up			CW					
Stick Down			CCW					
<b>Channel 4</b>								
Stick Left				CCW				
Stick Right				CW				
<b>Channel 5</b>								
Top Button					CCW		CW	
Bottom Button					CW		CCW	
<b>Channel 6</b>								
Top Button						CCW		CW
Bottom Button						CW		CCW

The directions listed in this table indicate the direction of spin for a standard VEX Motor Module. VEX Servo Modules will turn in the opposite direction.





# Alternate Arcade-Style Controls

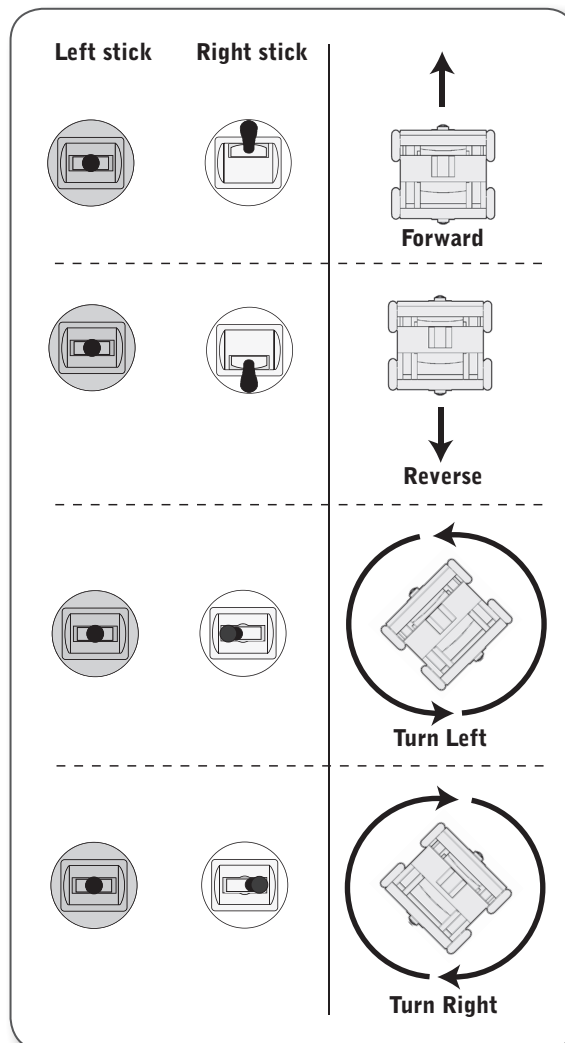
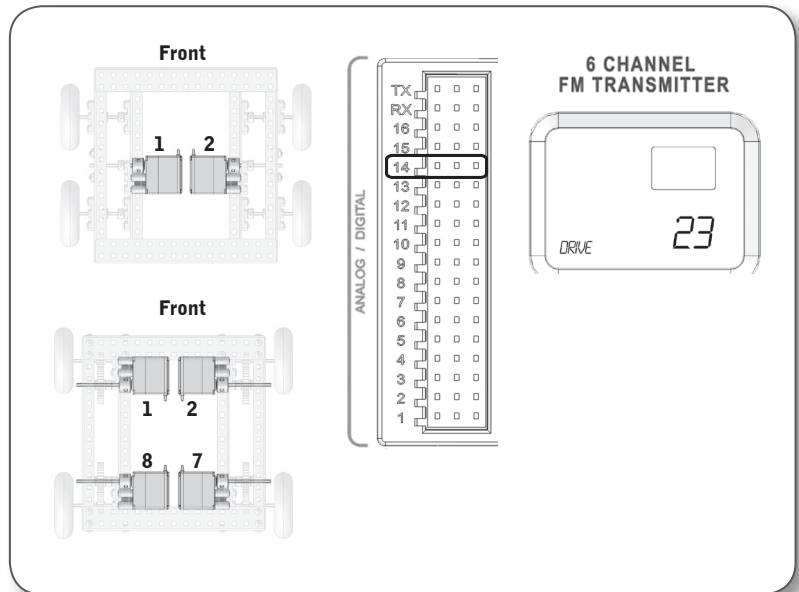
**For a 2-motor configuration,** the left motor should plug into Motor Port 1, and the right motor should plug into Motor Port 2. A jumper must be installed on Analog/Digital Port #14.

**For a 4-motor configuration,** the front left motor should plug into Motor Port 1, and the front right motor should plug into Motor Port 2. The rear left motor should go into Motor Port 8, and the rear right motor should go into Motor Port 7. The following controls will then apply.

In this configuration, the first two control channels are mixed controls that affect both Motor Ports 1 and 2. This mode is set to also allow the use of a four-motor design, so Motor Ports 7 and 8 are also tied into the sticks so that both of the left side motors move together, and both of the right side motors move together. The remaining joystick "control channels" control their same-numbered motor ports directly.

The difference between the Transmitter "12" and using Jumper 14 is that the Transmitter "12" will perform the mixing functions before the signal is sent out from the Transmitter, while the Jumper 14 version will perform those calculations on the Microcontroller. They perform the calculations in slightly different ways. The Transmitter version will only allow you to move 60% of full power straight forward or backward, but will speed up going into turns. The Jumper version will allow you to go full speed forward or backward, but will slow down going into turns.

Reference page E • 3 to return the transmitter to factory default.



# Alternate Arcade-Style Controls, continued

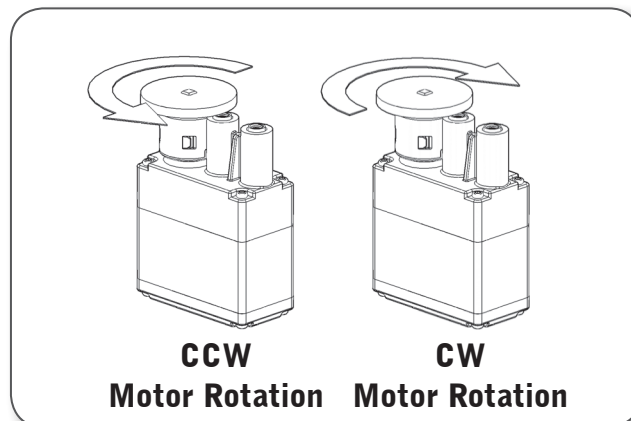
Transmitter in "23 mode", Jumper 14 set on Microcontroller

CW = clockwise

CCW = counter-clockwise

	Motor 1	Motor 2	Motor 3	Motor 4	Motor 5	Motor 6	Motor 7	Motor 8
<b>Channel 1</b>								
Stick Left	CCW	CCW					CCW	CCW
Stick Right	CW	CW					CW	CW
<b>Channel 2</b>								
Stick Up	CW	CCW					CCW	CW
Stick Down	CCW	CW					CW	CCW
<b>Channel 3</b>								
Stick Up			CW					
Stick Down			CCW					
<b>Channel 4</b>								
Stick Left				CCW				
Stick Right				CW				
<b>Channel 5</b>								
Top Button					CCW			
Bottom Button					CW			
<b>Channel 6</b>								
Top Button						CCW		
Bottom Button						CW		

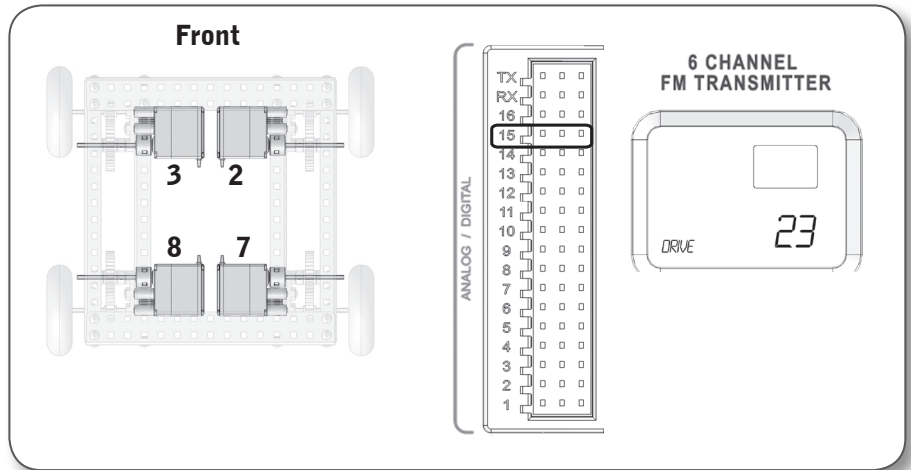
The directions listed in this table indicate the direction of spin for a standard VEX Motor Module. VEX Servo Modules will turn in the opposite direction.



# Tank-Style Controls (4WD)

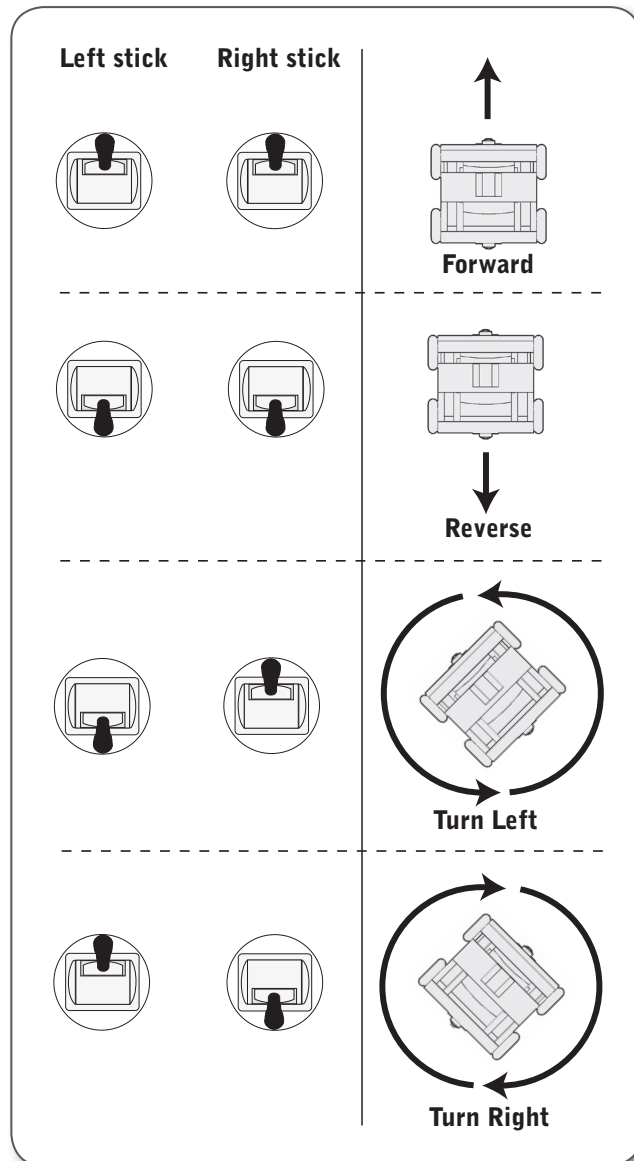
For a 4-motor configuration, the front left motor should plug into Motor Port 3, and the front right motor should plug into Motor Port 2. The rear left motor should go into Motor Port 8, and the rear right motor should go into Motor Port 7.

A jumper must be installed on the Analog/Digital Port #15. The following controls will then apply.



This configuration is the same as the basic "23 mode" as far as driving goes, except that pushing the stick causes both motors on the same side to be powered at once rather than just one.

Reference page E • 3 to return the transmitter to factory default.



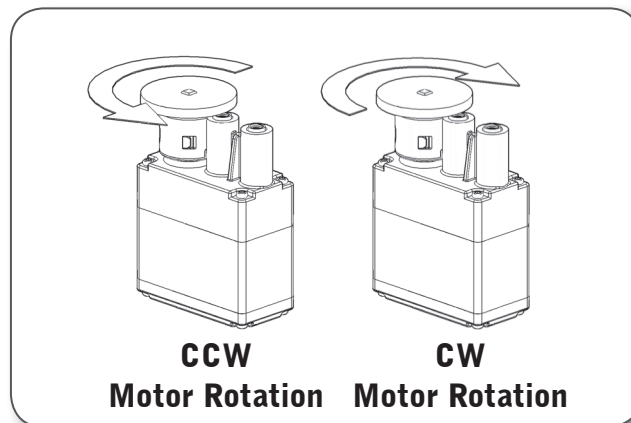
# Tank-Style Controls (4WD), continued

Transmitter in "23 mode", Jumper 15 set on Microcontroller

CW = clockwise  
 CCW = counter-clockwise

	Motor 1	Motor 2	Motor 3	Motor 4	Motor 5	Motor 6	Motor 7	Motor 8
<b>Channel 1</b>								
Stick Left	CCW							
Stick Right	CW							
<b>Channel 2</b>								
Stick Up		CCW					CCW	
Stick Down		CW					CW	
<b>Channel 3</b>								
Stick Up			CW					CW
Stick Down			CCW					CCW
<b>Channel 4</b>								
Stick Left				CCW				
Stick Right				CW				
<b>Channel 5</b>								
Top Button					CCW			
Bottom Button					CW			
<b>Channel 6</b>								
Top Button						CCW		
Bottom Button						CW		

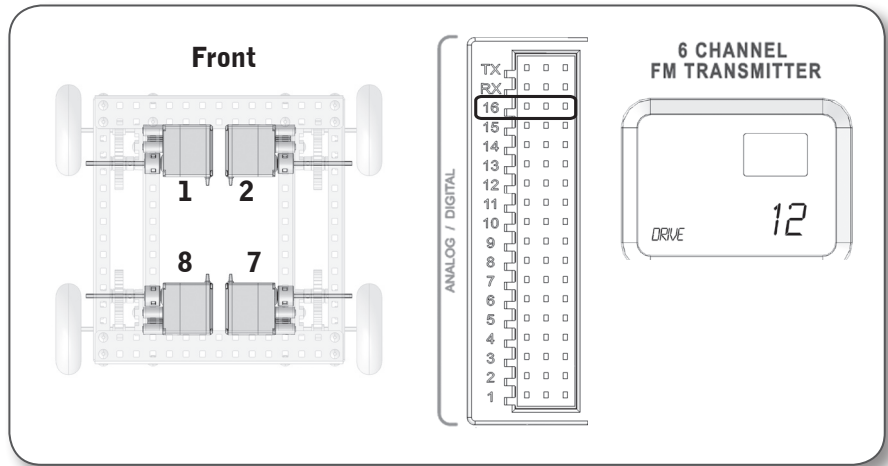
The directions listed in this table indicate the direction of spin for a standard VEX Motor Module. VEX Servo Modules will turn in the opposite direction.



# Arcade-Style Controls (4WD)

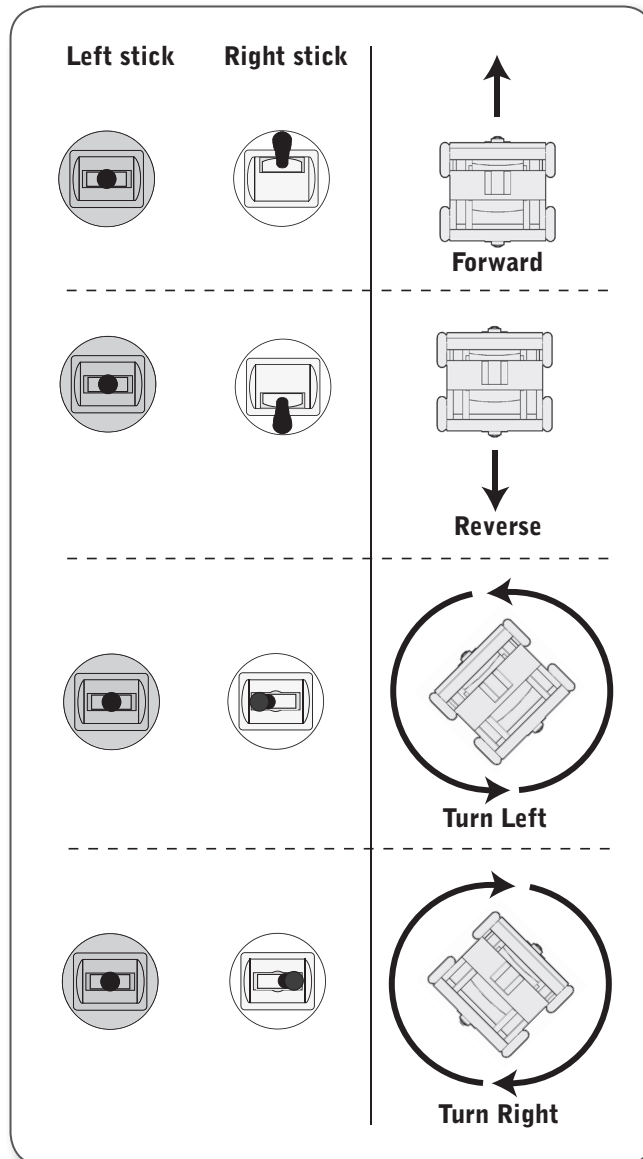
For a 4-motor configuration, the front left motor should plug into Motor Port 1, and the front right motor should plug into Motor Port 2. The rear left motor should go into Motor Port 8, and the rear right motor should go into Motor Port 7.

A jumper must be installed on the Analog/Digital Port #16. The following controls will then apply.



This configuration is the same as the basic "12 mode" as far as driving goes, except that the command mixes will drive both motors on the same side at once. Remember that the "Jumper 14" / "software 12 mix" mode will also allow the use of 4WD in an arcade-style control, but with slightly different control characteristics.

Reference page E • 3 to return the transmitter to factory default.



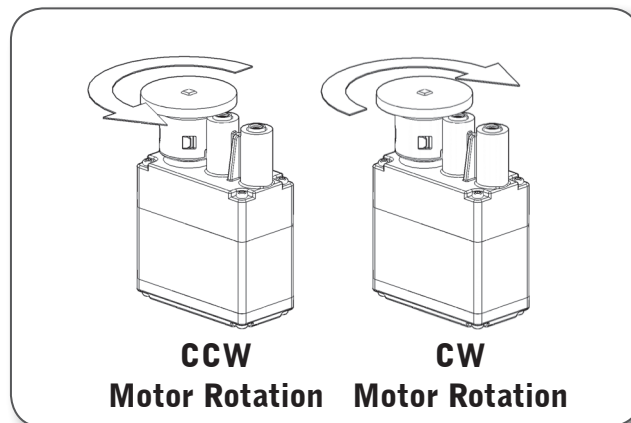
# Arcade-Style Controls (4WD), continued

Transmitter in "12 mode", Jumper 16 set on Microcontroller

CW = clockwise  
 CCW = counter-clockwise

	Motor 1	Motor 2	Motor 3	Motor 4	Motor 5	Motor 6	Motor 7	Motor 8
<b>Channel 1</b>								
Stick Left	CCW	CCW					CCW	CCW
Stick Right	CW	CW					CW	CW
<b>Channel 2</b>								
Stick Up	CW	CCW					CCW	CW
Stick Down	CCW	CW					CW	CCW
<b>Channel 3</b>								
Stick Up			CW					
Stick Down			CCW					
<b>Channel 4</b>								
Stick Left				CCW				
Stick Right				CW				
<b>Channel 5</b>								
Top Button					CCW			
Bottom Button					CW			
<b>Channel 6</b>								
Top Button						CCW		
Bottom Button						CW		

The directions listed in this table indicate the direction of spin for a standard VEX Motor Module. VEX Servo Modules will turn in the opposite direction.



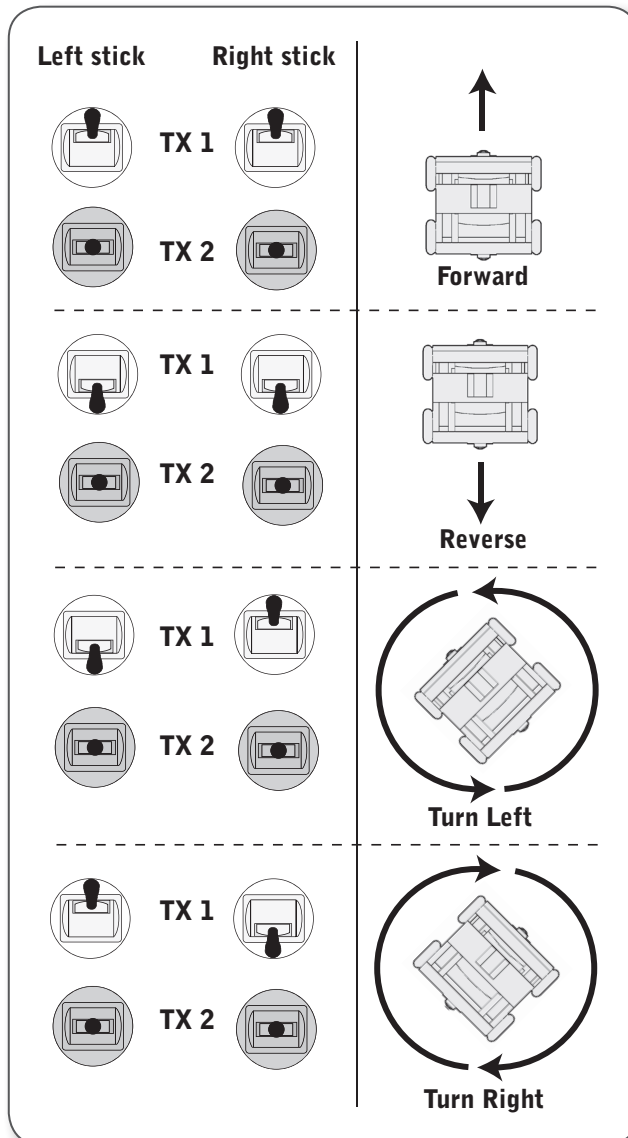
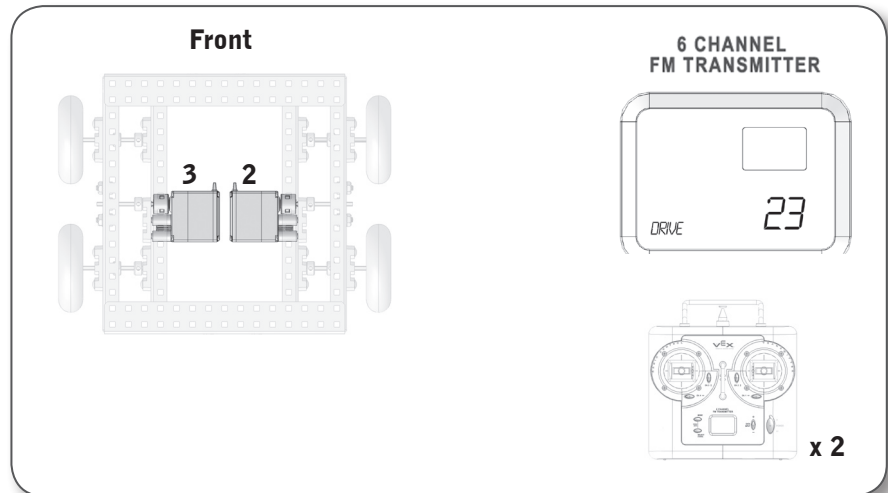
# Tank-Style Controls (Two Transmitters)

For a 2-motor configuration, the left motor should plug into Motor Port 3, and the right motor should plug into Motor Port 2. The following controls will then apply for the driver (operator on the first transmitter).

This mode is enabled by the presence of a second radio signal. If one of the transmitters is not on, then the remaining transmitter will control all functions just as in single-transmitter mode.

In this configuration, the first two control channels on the first transmitter are mixed controls that affect both Motor Ports 1 and 2. The second transmitter is used to control some sort of attachment, based on the challenge being attempted. The second transmitter is not placed into "12 mode," as it is designed to work precisely with challenge-based robot attachments by using different sticks (so you can't accidentally affect robot operation by moving the stick on an axis you didn't want—the horizontal axes don't do anything).

Reference page E • 3 to return the transmitter to factory default.



## Tank-Style Controls (Two Transmitters), continued

Both transmitters in “23 mode”, no jumpers set on Microcontroller

CW = clockwise

CCW = counter-clockwise

### TRANSMITTER 1

	Motor 1	Motor 2	Motor 3	Motor 4	Motor 5	Motor 6	Motor 7	Motor 8
<b>Channel 1</b>								
Stick Left	CCW							
Stick Right	CW							
<b>Channel 2</b>								
Stick Up		CCW						
Stick Down		CW						
<b>Channel 3</b>								
Stick Up			CW					
Stick Down			CCW					
<b>Channel 4</b>								
Stick Left								
Stick Right								
<b>Channel 5</b>								
Top Button				CCW				
Bottom Button				CW				
<b>Channel 6</b>								
Top Button								
Bottom Button								

### TRANSMITTER 2

	Motor 1	Motor 2	Motor 3	Motor 4	Motor 5	Motor 6	Motor 7	Motor 8
<b>Channel 1</b>								
Stick Left								
Stick Right								
<b>Channel 2</b>								
Stick Up					CCW			
Stick Down					CW			
<b>Channel 3</b>								
Stick Up						CW		
Stick Down						CCW		
<b>Channel 4</b>								
Stick Left								
Stick Right								
<b>Channel 5</b>								
Top Button							CCW	
Bottom Button							CW	
<b>Channel 6</b>								
Top Button								CCW
Bottom Button								CW

The directions listed in this table indicate the direction of spin for a standard VEX Motor Module. VEX Servo Modules will turn in the opposite direction.



# Tank-Style Controls (4WD, Two Transmitters)

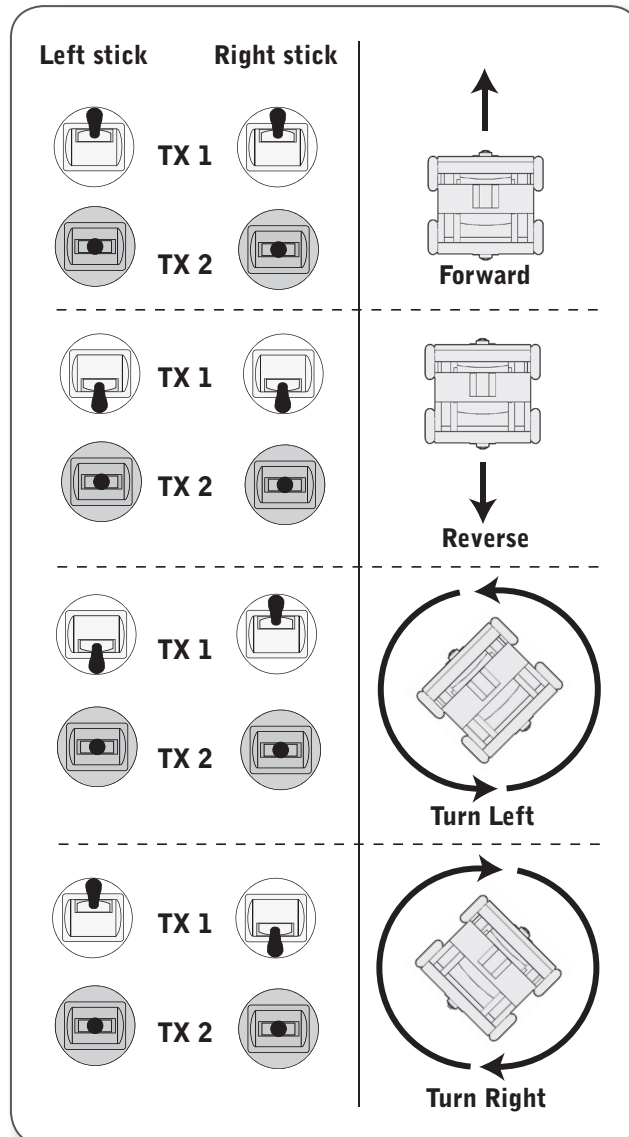
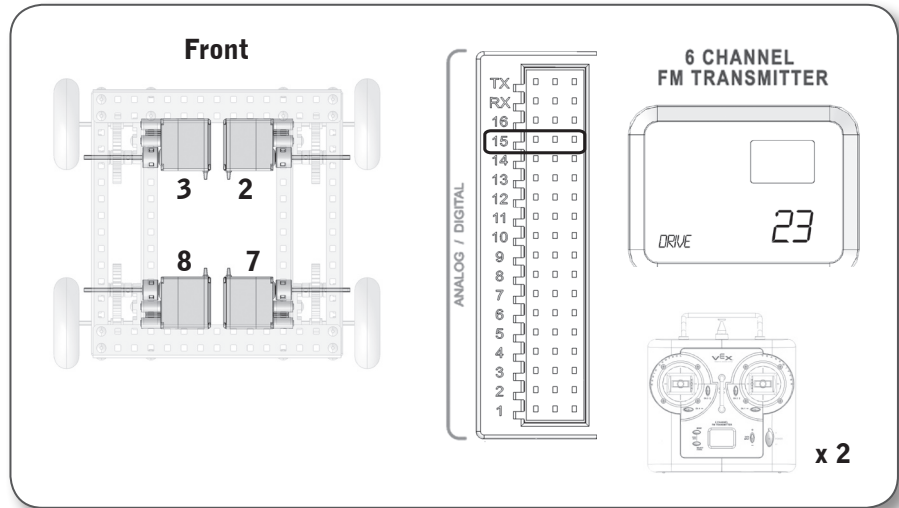
For a 4-motor configuration, the front left motor should plug into Motor Port 3, and the front right motor should plug into Motor Port 2. The rear left motor should go into Motor Port 8, and the rear right motor should go into Motor Port 7.

A jumper must be installed on the Analog/Digital Port #15. The following controls will then apply.

This mode is enabled by the presence of a second radio signal. If one of the transmitters is not on, then the remaining transmitter will control all functions just as in single-transmitter mode.

This configuration is the same as the basic dual-transmitter "23 mode" as far as driving goes, except that pushing the stick on the driver's transmitter causes both motors on the same side to be powered at once rather than just one.

Reference page E • 3 to return the transmitter to factory default.



# Tank-Style Controls (4WD, Two Transmitters), continued

Both transmitters in "23 mode", Jumper 15 set on Microcontroller

CW = clockwise

CCW = counter-clockwise

## TRANSMITTER 1

	Motor 1	Motor 2	Motor 3	Motor 4	Motor 5	Motor 6	Motor 7	Motor 8
<b>Channel 1</b>								
Stick Left								
Stick Right								
<b>Channel 2</b>								
Stick Up		CCW					CCW	
Stick Down		CW					CW	
<b>Channel 3</b>								
Stick Up			CW					CW
Stick Down			CCW					CCW
<b>Channel 4</b>								
Stick Left								
Stick Right								
<b>Channel 5</b>								
Top Button								
Bottom Button								
<b>Channel 6</b>								
Top Button								
Bottom Button								

## TRANSMITTER 2

	Motor 1	Motor 2	Motor 3	Motor 4	Motor 5	Motor 6	Motor 7	Motor 8
<b>Channel 1</b>								
Stick Left								
Stick Right								
<b>Channel 2</b>								
Stick Up	CCW							
Stick Down	CW							
<b>Channel 3</b>								
Stick Up				CW				
Stick Down				CCW				
<b>Channel 4</b>								
Stick Left								
Stick Right								
<b>Channel 5</b>								
Top Button					CCW			
Bottom Button					CW			
<b>Channel 6</b>								
Top Button						CCW		
Bottom Button						CW		

The directions listed in this table indicate the direction of spin for a standard VEX Motor Module. VEX Servo Modules will turn in the opposite direction.

# Arcade-Style Controls (4WD, Two Transmitters)

For a 4-motor configuration, the front left motor should plug into Motor Port 1, and the front right motor should plug into Motor Port 2. The rear left motor should go into Motor Port 8, and the rear right motor should go into Motor Port 7.

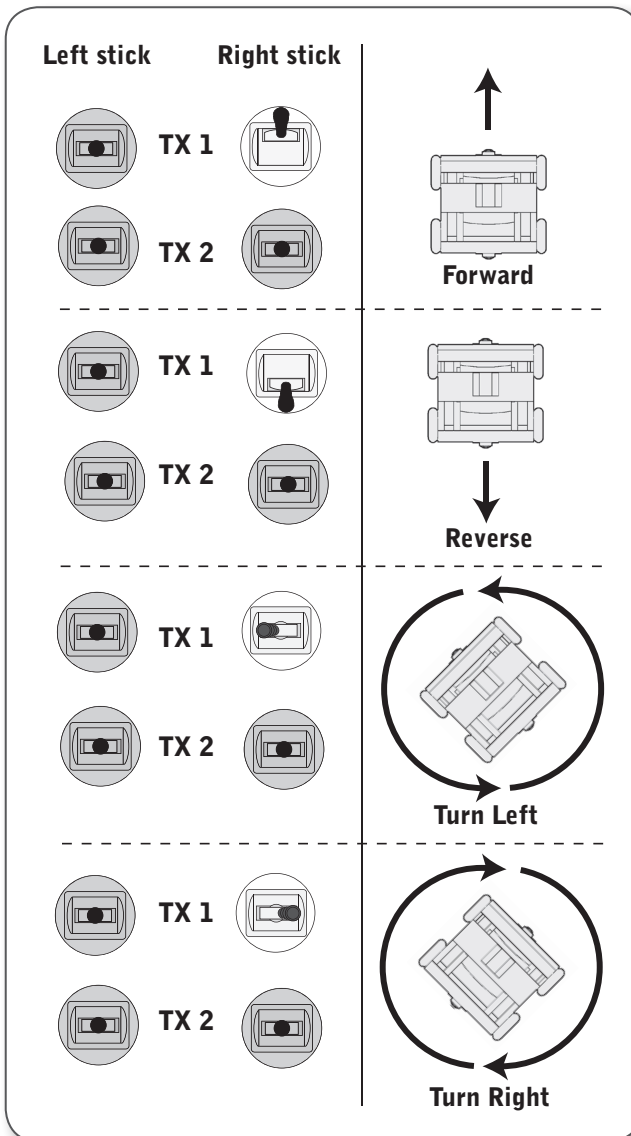
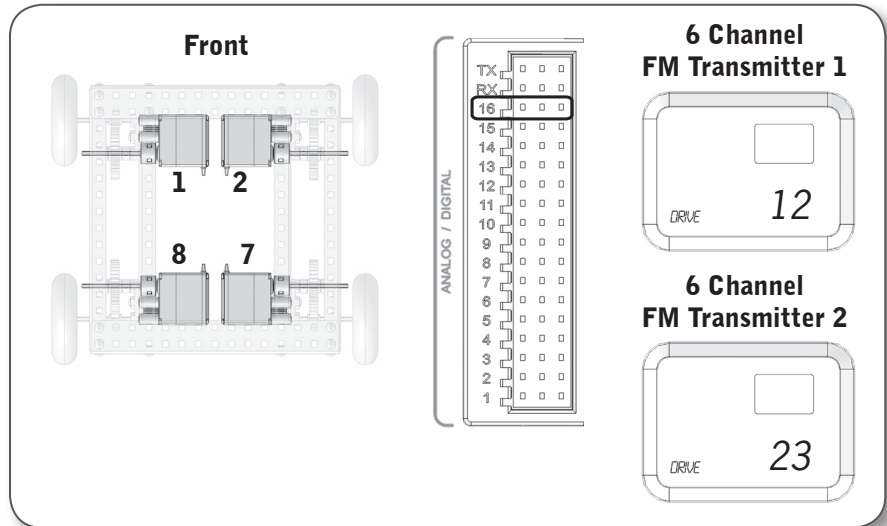
A jumper must be installed on the Analog/Digital Port #16. The following controls will then apply.

This mode is enabled by the presence of a second radio signal. If one of the transmitters is not on, then the remaining transmitter will control all functions just as in single-transmitter mode.

This configuration is the same as the basic dual-transmitter "12 mode" as far as driving goes, except that the command mixes from the driver's right-hand stick will drive both motors on the same side at once.

Reference page E • 3 to return the transmitter to factory default.

**Note:**  
 "Software 12 mix"  
 ("Jumper 14 mode")  
 cannot be used with  
 dual controllers.



# Arcade-Style Controls (4WD, Two Transmitters), continued

**Transmitter 1 in “12 mode”, Transmitter 2 in “23 mode”, Jumper 16 set on Microcontroller**

CW = clockwise  
CCW = counter-clockwise

**TRANSMITTER 1**

	Motor 1	Motor 2	Motor 3	Motor 4	Motor 5	Motor 6	Motor 7	Motor 8
<b>Channel 1</b>								
Stick Left	CCW	CCW					CCW	CCW
Stick Right	CW	CW					CW	CW
<b>Channel 2</b>								
Stick Up	CW	CCW					CCW	CW
Stick Down	CCW	CW					CW	CCW
<b>Channel 3</b>								
Stick Up								
Stick Down								
<b>Channel 4</b>								
Stick Left								
Stick Right								
<b>Channel 5</b>								
Top Button								
Bottom Button								
<b>Channel 6</b>								
Top Button								
Bottom Button								

**TRANSMITTER 2**

	Motor 1	Motor 2	Motor 3	Motor 4	Motor 5	Motor 6	Motor 7	Motor 8
<b>Channel 1</b>								
Stick Left								
Stick Right								
<b>Channel 2</b>								
Stick Up			CCW					
Stick Down			CW					
<b>Channel 3</b>								
Stick Up				CW				
Stick Down				CCW				
<b>Channel 4</b>								
Stick Left								
Stick Right								
<b>Channel 5</b>								
Top Button					CCW			
Bottom Button					CW			
<b>Channel 6</b>								
Top Button						CCW		
Bottom Button						CW		

The directions listed in this table indicate the direction of spin for a standard VEX Motor Module. VEX Servo Modules will turn in the opposite direction.

# Arcade-Style Controls (Two Transmitters)

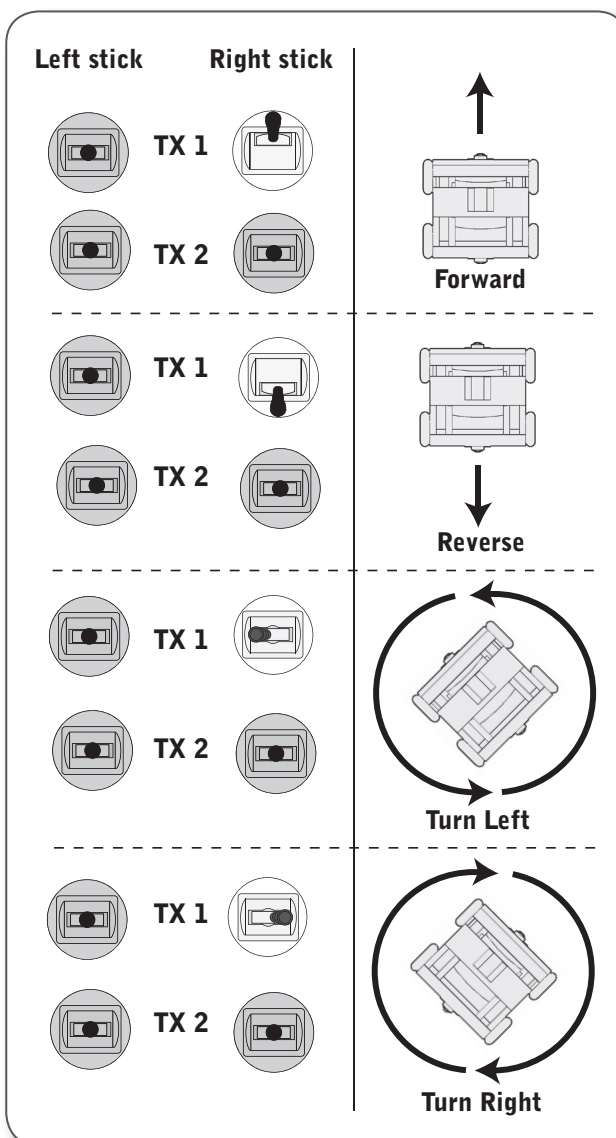
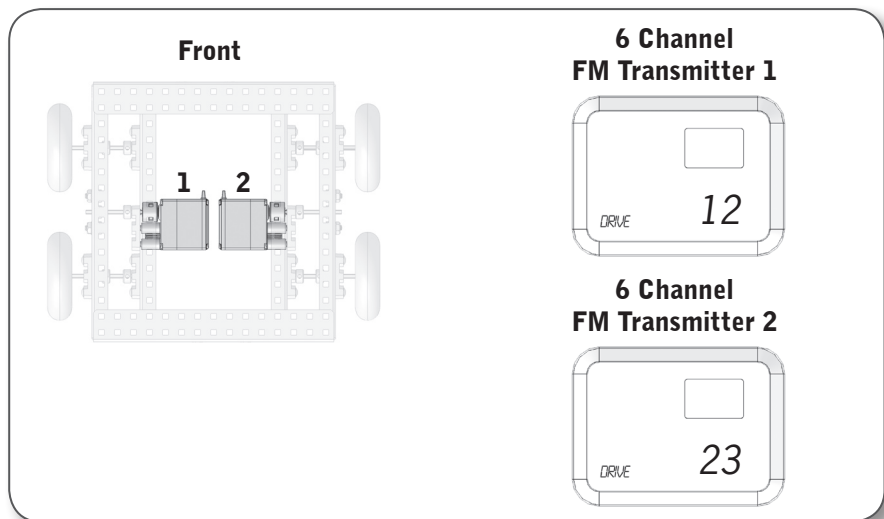
For a 2-motor configuration, the left motor should plug into Motor Port 1, and the right motor should plug into Motor Port 2. The following controls will then apply.

This mode is enabled by the presence of a second radio signal. If one of the transmitters is not on, then the remaining transmitter will control all functions just as in single-transmitter mode.

In this configuration, the first two control channels on the first transmitter are mixed controls that affect both Motor Ports 1 and 2. The second transmitter is used to control some sort of attachment, based on the challenge being attempted. The second transmitter is not placed into “12 mode,” as it is designed to work precisely with challenge-based robot attachments by using different sticks (so you can’t accidentally affect robot operation by moving the stick on an axis you didn’t want—the horizontal axes don’t do anything).

Reference page E • 3 to return the transmitter to factory default.

**Note:**  
“Software 12 mix”  
 (“Jumper 14 mode”)  
 cannot be used with  
 dual controllers.



# Arcade-Style Controls (Two Transmitters), continued

Transmitter 1 in “12 mode”, Transmitter 2 in “23 mode”,  
no jumpers set on Microcontroller

CW = clockwise  
CCW = counter-clockwise

TRANSMITTER 1

	Motor 1	Motor 2	Motor 3	Motor 4	Motor 5	Motor 6	Motor 7	Motor 8
<b>Channel 1</b>								
Stick Left	CCW	CCW						
Stick Right	CW	CW						
<b>Channel 2</b>								
Stick Up	CW	CCW						
Stick Down	CCW	CW						
<b>Channel 3</b>								
Stick Up			CW					
Stick Down			CCW					
<b>Channel 4</b>								
Stick Left								
Stick Right								
<b>Channel 5</b>								
Top Button				CCW				
Bottom Button				CW				
<b>Channel 6</b>								
Top Button								
Bottom Button								

TRANSMITTER 2

	Motor 1	Motor 2	Motor 3	Motor 4	Motor 5	Motor 6	Motor 7	Motor 8
<b>Channel 1</b>								
Stick Left								
Stick Right								
<b>Channel 2</b>								
Stick Up					CCW			
Stick Down					CW			
<b>Channel 3</b>								
Stick Up						CW		
Stick Down						CCW		
<b>Channel 4</b>								
Stick Left								
Stick Right								
<b>Channel 5</b>								
Top Button							CCW	
Bottom Button							CW	
<b>Channel 6</b>								
Top Button								CCW
Bottom Button								CW

The directions listed in this table indicate the direction of spin for a standard VEX Motor Module. VEX Servo Modules will turn in the opposite direction.

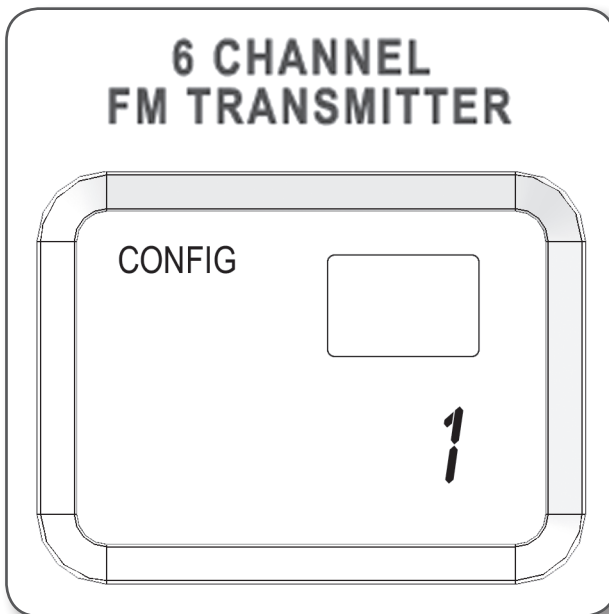
# Menus

## Advanced Transmitter Features

The Transmitter has a large number of onboard options that can help you refine your control over the robot. Most users will not need the advanced transmitter features described in this section.

To access the advanced feature menus, turn on your transmitter, then hold down the Mode and Select buttons together for two seconds until the menus appear.

## Config Menu

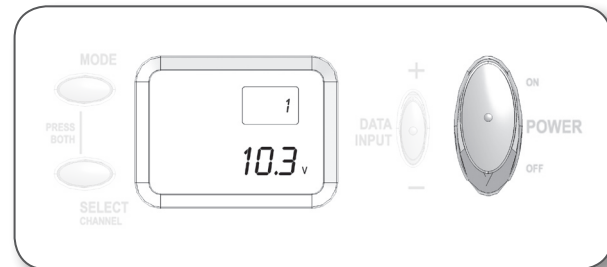


If you design multiple robots or a robot with multiple configurations (removable arm attachments, for example), the VEX Transmitter can store different control settings for each of them. The CONFIG menu allows you to switch between six different control configurations, each of which can be set any way you want for optimal control of a different robot configuration. If you make changes to a configuration and decide later that you would rather restore the defaults for that config, you can also reset them to the factory defaults from this menu.

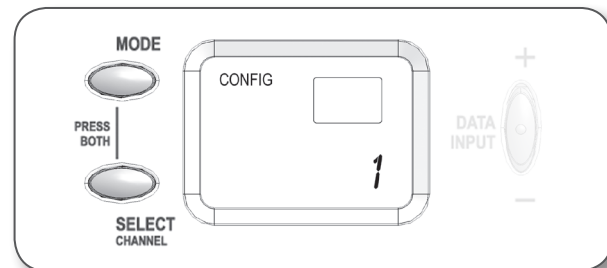
## Menus, continued

### Config Menu, continued To Select A Configuration:

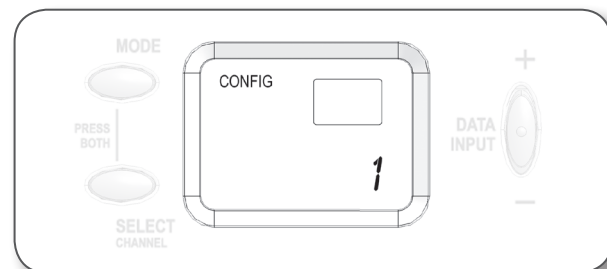
1. Turn on the Transmitter by pushing the power switch to the ON position.



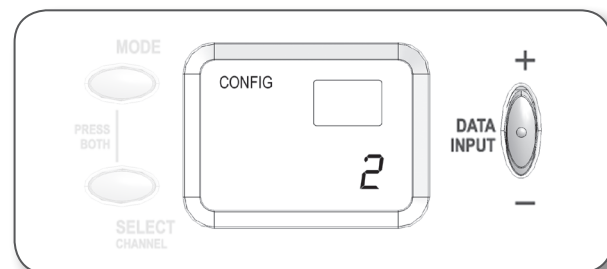
2. Enter the menu on the transmitter by holding down both the Mode and Select buttons next to the display until the menu opens.



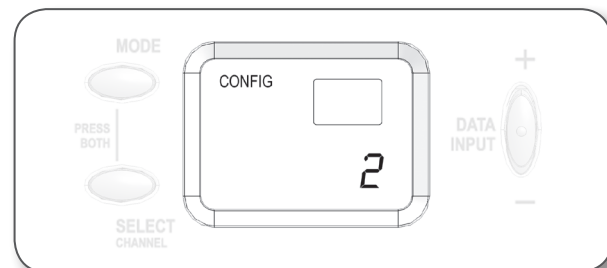
3. CONFIG mode should be open by default. If it is not, then push the Mode button until the word CONFIG appears in the upper-left corner of the display.



4. The number in the lower-right indicates which configuration is currently active. Use + and - on the Data Input button to change the active configuration.



5. Any further programming changes you make in the other menus will now affect the configuration you have chosen. You do not have to confirm your selection with an Enter command. All changes will be stored as the new configuration.

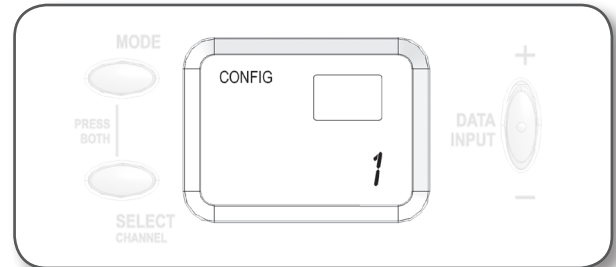




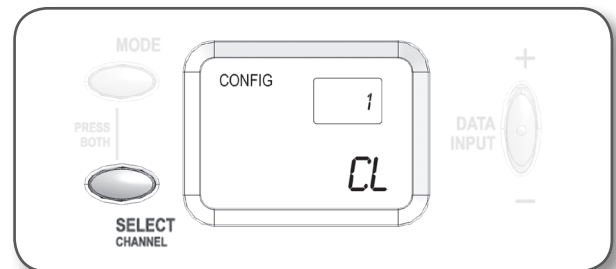
## Menus, continued

### Config Menu, continued To Reset A Configuration:

1. Enter the CONFIG menu and select the configuration you wish to reset by following the instructions in the section "To select a configuration" on the previous page. Make sure that the number on the screen is the number of the configuration you want to reset.

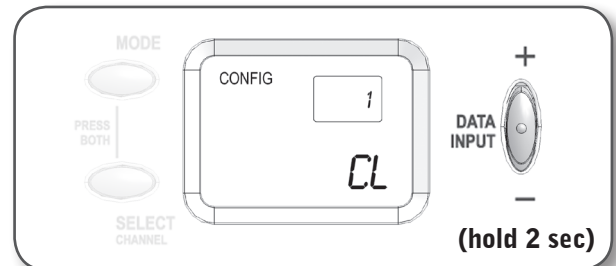


2. Press the Select button. The letters CL (for "clear") should appear.



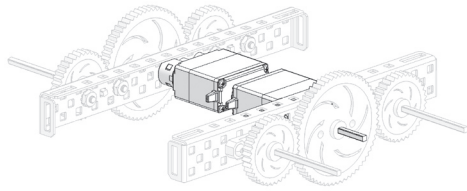
3. Hold either the + or - on the Data Input button for 2 seconds to reset the controls for the selected config number.

The Transmitter will beep twice quickly to indicate that the reset was successful.

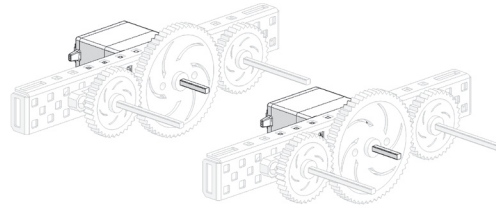


## Menus, continued

### Reverse Menu

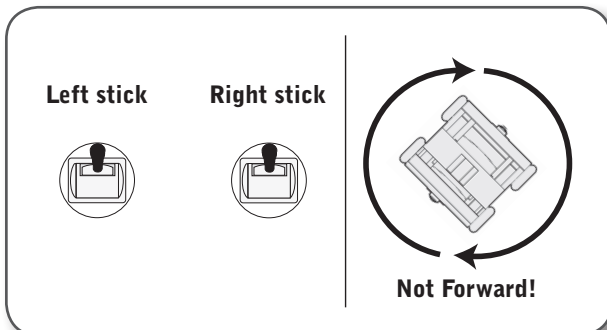


**Motors Back-to-Back**



**Motors Side-by-Side**

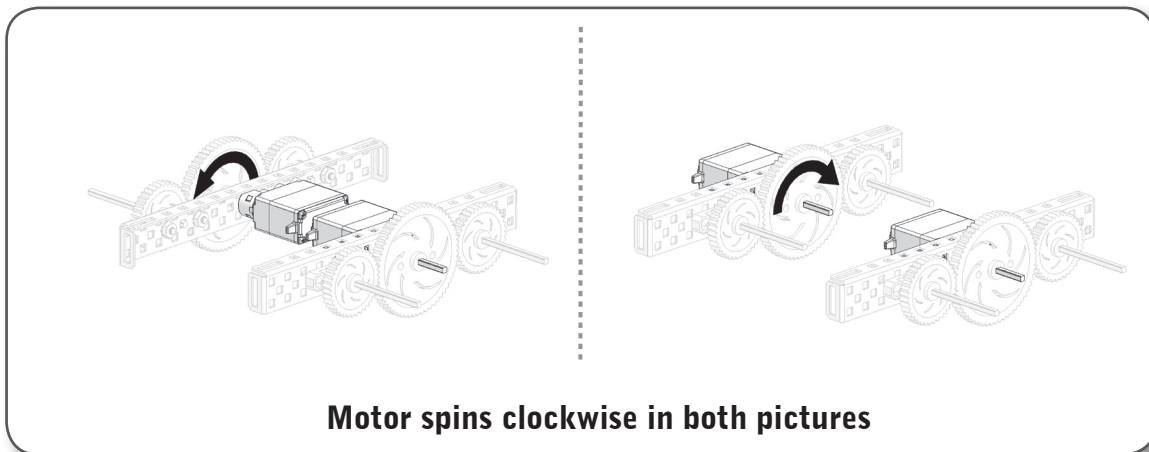
Sometimes, you will want to mount motors in a different orientation than the simple back-to-back configuration. Perhaps you would prefer to run the robot using the side-by-side motor configuration shown above. This seems like a straightforward thing to do, but there is a catch.



In a side-by-side configuration, both motors need to spin the same direction in order to make the robot run forward, whereas the back-to-back configuration has the motors spinning in opposite directions to go forward. If you build a robot with the side-by-side configuration shown, the right side will run backwards when you push up on the stick causing you to turn/spin.

## Menus, continued

### Reverse Menu, continued



This is not because of a flaw in the design of the motor or the robot. The “problem” is that the motor is doing the exact same thing it was doing with the back-to-back positioning: it spins clockwise when you push up on the stick, and counterclockwise when you push down. The trouble here is that spinning in the clockwise direction used to equal forward movement, but now a clockwise spin equals backward movement for that side of the robot!

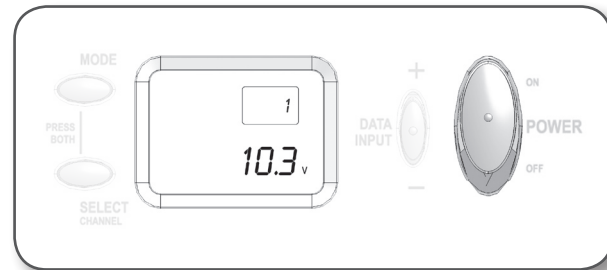
There are several ways to fix this problem, like adding an idler gear (see the Motion Subsystem Background Information), but the easiest solution is to change the settings on your transmitter to reverse the commands sent for the joystick axis that controls that motor. The combination of two reversals will give you normal control once again.

In general, you will find that the controls on the Transmitter are configured for designs using the back-to-back motor configuration. With the Reverse menu, however, you can reconfigure the controls to support any drive train orientation you may need.

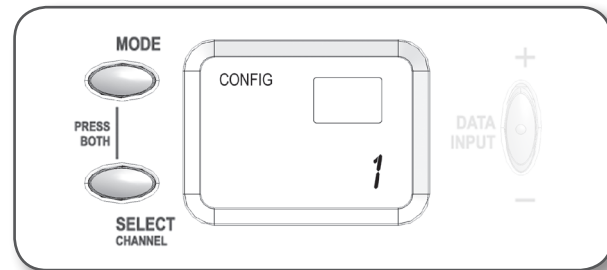
## Menus, continued

### Reverse Menu, continued To Reverse (Or Un-Reverse) An Axis:

1. Turn on the Transmitter by pushing the power switch to the ON position.

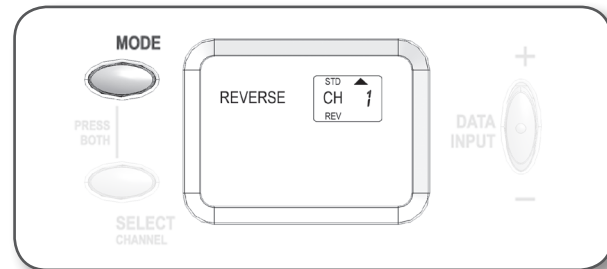


2. Enter the menu on the transmitter by holding down both the Mode and Select buttons next to the display until the menu opens.

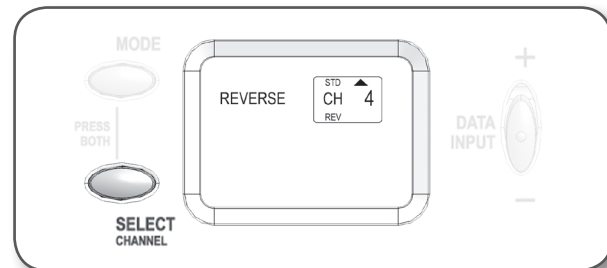


3. Push the Mode button until the word REVERSE appears on the left-hand side of the display.

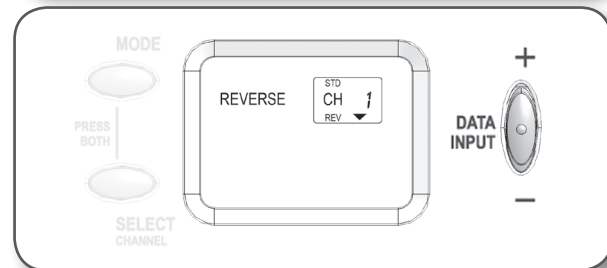
The number in the upper-right indicates which control channel (axis) you are currently viewing. The small arrow to the left of the number indicates whether the axis is currently set to operate with standard (STD) or reversed (REV) directions.



4a. Use the Select button to cycle through channels (axes).



4b. Use + and - on the Data Input button to the right of the display screen to switch between standard or reversed directional controls for the displayed axis.



5. Your changes take effect immediately. You do not have to confirm your selection with an Enter command. You can turn on your robot and test your changes now to see if they have fixed the problem.

## Menus, continued

### Scale Menu

The default controls are often not comfortable for a human operator. Sometimes they feel too sensitive, other times they are not sensitive enough. There are two distinct types of adjustments that can be made in this menu. The first series of adjustments controls the "linear scaling" of the controls, and can be used to make coarse adjustments to the overall range of motion that the transmitter will generate on the motors. The second series of adjustments sets the "exponential scaling" of the controls, which allows you to tweak the controls to make them "softer" or "firmer". These can only be applied to the first two axes (1 and 2, on the right stick), so scaling is only recommended for users of the "12" DRIVE mode (see Basic Transmitter Operation in the Control Subsystem chapter, or Appendix E for full details).

### Scale vs. Edit Points

The easiest way to decide whether you want to use SCALE versus EDIT PT to adjust your controls is to first check whether you will need to adjust settings for axes other than 1 or 2. If so, you will need to use EDIT PT, because SCALE can only adjust settings for axes 1 and 2.

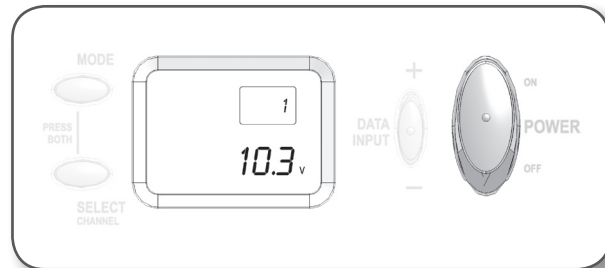
After that, it helps to organize your changes into optimizations that are designed to make the robot run better, versus optimizations that are intended to help the human operator. The main strength of the SCALE functions are the exponential controls, which help to give the operator more comfortable response ranges from the joysticks. It makes sense, then, that you should try to use the SCALE menu to help the human operator achieve a comfortable control setup, and the EDIT PT menu for necessary changes to the robot to coordinate better functionality within its own systems (see the EDIT PT section for more information and examples).

**Note: If you plan to use both Scaling and End Points to optimize your robot's performance and control handling, you must adjust the End Points using the EDIT PT menu first. If you change the End Points after you set scaling, the scaling info will also be changed. See the EDIT PT menu section below for details on End Points.**

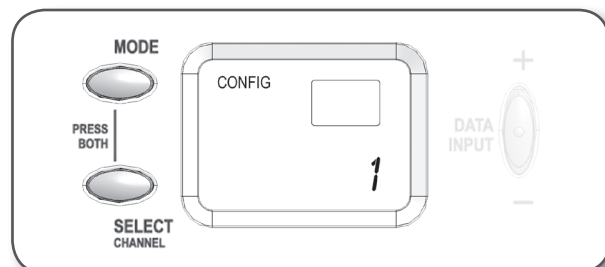
## Menus, continued

### Scale Menu, continued To Adjust Linear Scaling For An Axis:

1. Turn on the Transmitter by pushing the power switch to the ON position.

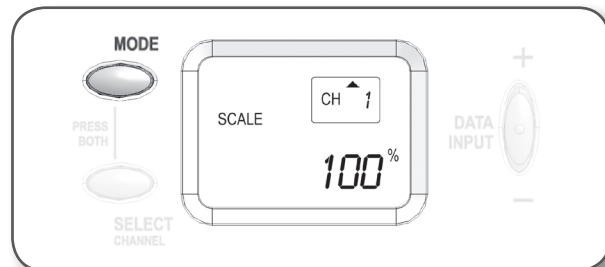


2. Enter the menu on the transmitter by holding down both the Mode and Select buttons next to the display until the menu opens.

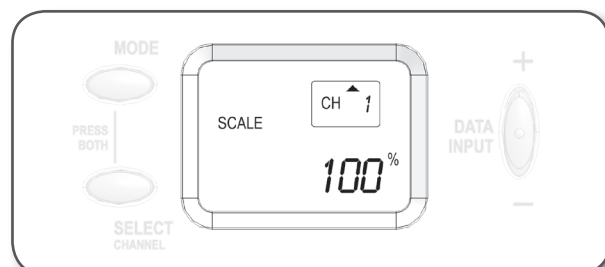


3. Push the Mode button until the word SCALE appears on the left-hand side of the display.

The number in the upper-right indicates which control channel (axis) you are currently viewing. The large number in the lower right indicates the current linear scaling value for the displayed channel.



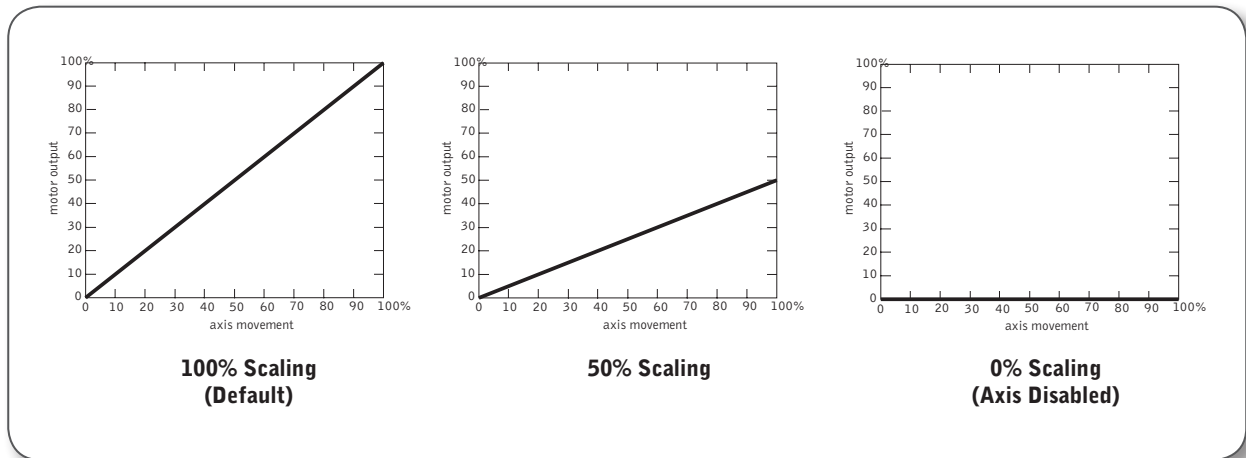
4. Make sure there is no + or – sign in front of the large number in the lower-right. If you see a + or – (or both), you are in the exponential mode, and you should push Select until you see a number without the + or – signs.



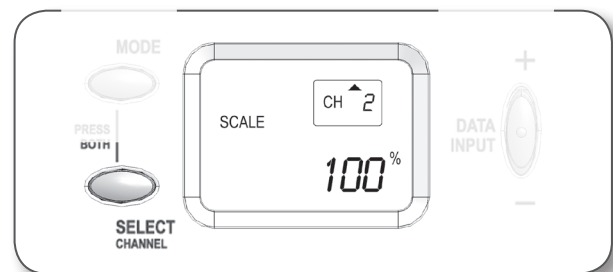
## Menus, continued

### Scale Menu, continued

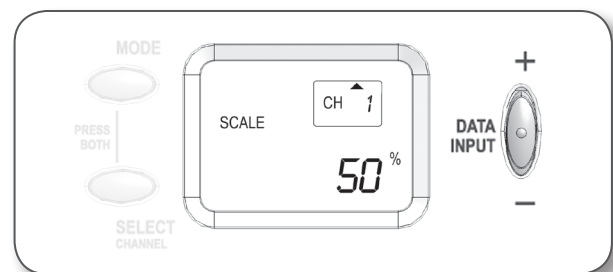
To Adjust Linear Scaling For An Axis, continued:



5a. Use the Select button to cycle through channels (axes).



5b. Use + and – on the Data Input button to the right of the display screen to increase or decrease the scaling value for the displayed axis. Higher values (up to the maximum of 100%) cause the motors to move to a fuller extent of their capabilities, while lower values allow you more control, but at the cost of not being able to reach full speed.



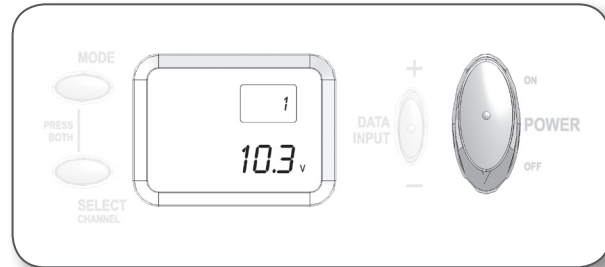
6. Your changes take effect immediately. You do not have to confirm your selection with an Enter command. You can turn on your robot and test your changes now to see if the controls are more comfortable now.

## Menus, continued

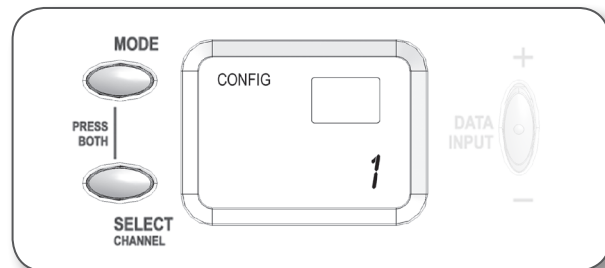
### Scale Menu, continued

#### To Adjust Exponential Scaling For An Axis:

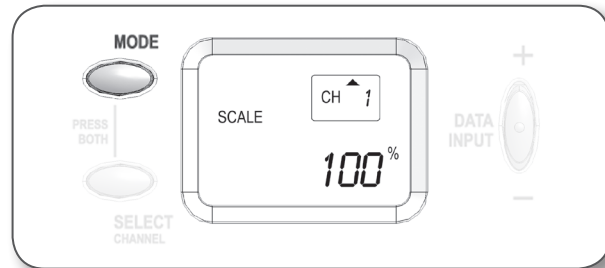
1. Turn on the Transmitter by pushing the power switch to the ON position.



2. Enter the menu on the transmitter by holding down both the Mode and Select buttons next to the display until the menu opens.

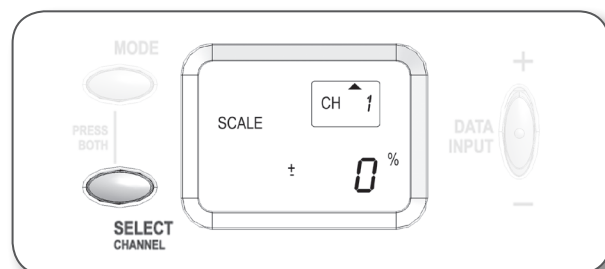


3. Push the Mode button until the word SCALE appears on the left-hand side of the display.



4. Press the Select button to skip through the Linear Scaling menus, until you see a +/-0% appear.

The number in the upper-right indicates which control channel (axis) you are currently viewing. The large number in the lower right indicates the current exponential scaling value for the displayed channel.

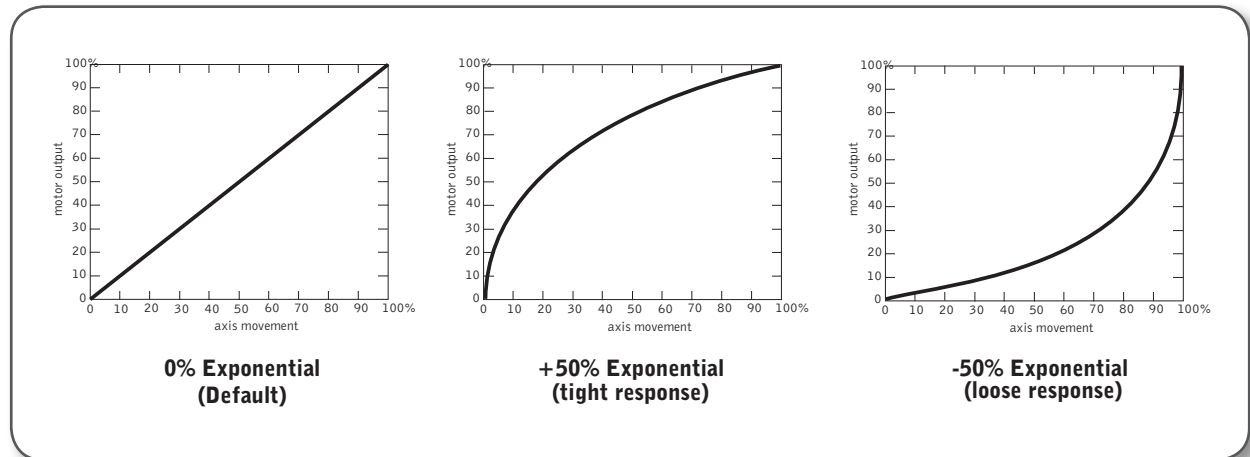




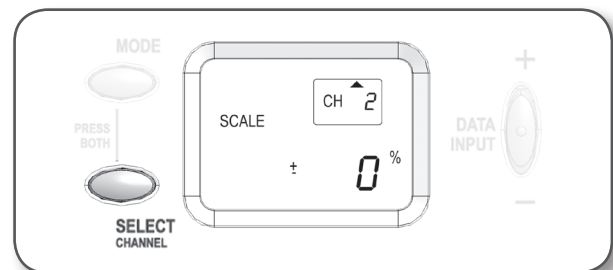
## Menus, continued

### Scale Menu, continued

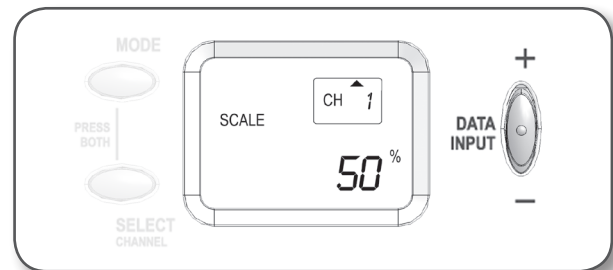
#### To Adjust Exponential Scaling For An Axis, continued:



5a. Use the Select button to cycle through channels (axes). Be sure you select an option with the + or - sign showing, otherwise you will be adjusting linear scaling rather than exponential.



5b. Use + and - on the Data Input button to the right of the display screen to increase or decrease the exponential value for the displayed axis. Higher values make the controls more sensitive to small pushes on the joystick, lower values make the controls "softer" and allow finer control at low motor speeds.

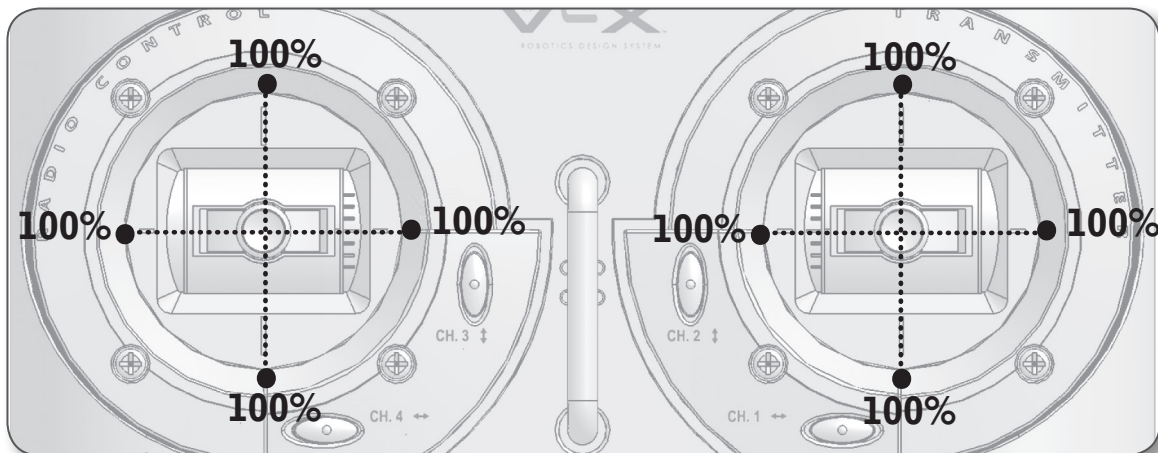


6. Your changes take effect immediately. You do not have to confirm your selection with an Enter command. You can turn on your robot and test your changes now to see if the controls are more comfortable now.

## Menus, continued

### Edit Points Menu

The primary purpose of EDIT PT mode is to allow small tweaks to optimize the coordination between the Radio Transmitter and the robot's motors. We recommend using EDIT PT to smooth out the interactions between the Transmitter and the motors, and using the SCALE menu to adjust the "feel" of the controls to the human operator's liking.



### Compensating for Motor Variance

Not all motors are created equal. At 100% power, no two motors will spin at the exact same speed with the exact same torque, due to tiny variations between individual units in manufacturing. If you order both the left and right motors on the robot to go full power forward, the robot will not travel straight ahead (try it!). Rather, it will go straight and somewhat to one side because one motor will spin faster than the other, causing that side of the robot to get ahead of the slower side.

The solution to this problem is to limit the amount of power that the stronger motor will output at "full stick" (i.e. when the joystick is pushed all the way to the end of its movement range). If the stronger motor were set to output, say, 95% power when its joystick is pushed to full, while the weaker motor runs at 100% when its joystick is at full, the net result would be a robot that moves straight ahead when both sticks are pushed all the way.

The EDIT PT menu allows you to do this by editing the "end point values" of each joystick axis. Setting an end point value to 80%, for instance, would mean that you would only get 80% of a motor's maximum speed when the stick is pushed all the way in that direction.

Furthermore, the EDIT PT menu lets you edit the two endpoints of each axis (up vs. down on the Y-axis, for instance) independently, to account for the fact that a motor will usually not spin with identical power forward and backward either.

These small but significant changes in speed and power can happen any time you make a change to the robot's drive train. You may need to revisit this menu to retune your controls each time you modify your robot.

## Menus, continued

### Edit Points Menu, continued Compensating For Transmitter Joystick Variance

Ideally, the joystick's physical stopping point at the edge of the controller would match up with the point where it sends its highest power command (either forward or reverse). This is not always the case, due to manufacturing variance, and sometimes the maximum power point actually resides under the plastic cover, out of reach of the joystick.

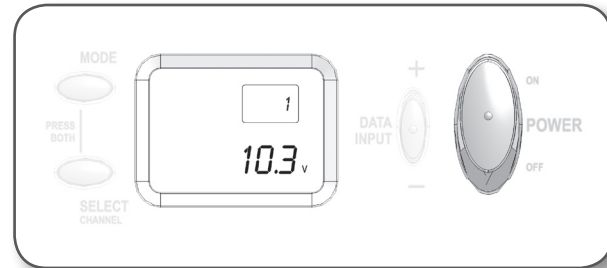
EDIT PT allows you to set values "above 100%" power (up to 120%) in order to coax out this little bit of extra signal range from your Transmitter. Setting the endpoint past 100% doesn't actually make the motors run faster than 100%. Instead, it makes the joystick behave as if the 100% point were closer to the center than the actual edge of the device. Since the "electrical endpoint" may be outside the physical range, this lets you move the 100% power point back into the joystick's physical reach.

Pushing the joystick past the 100% point (if you move the 100% point too far in) will result in a 100% power signal being sent.

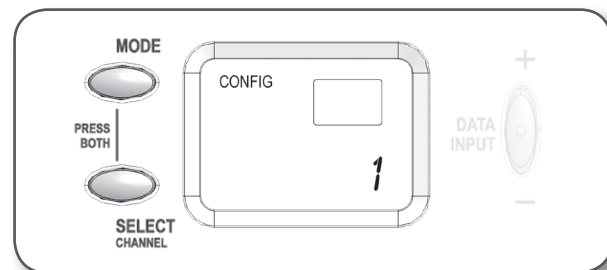
## Menus, continued

### Edit Points Menu, continued To Adjust An End Point:

1. Turn on the Transmitter by pushing the power switch to the ON position.

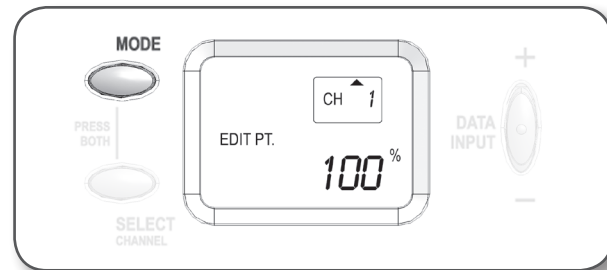


2. Enter the menu on the transmitter by holding down both the Mode and Select buttons next to the display until the menu opens.



3. Push the Mode button until EDIT PT appears on the left-hand side of the display.

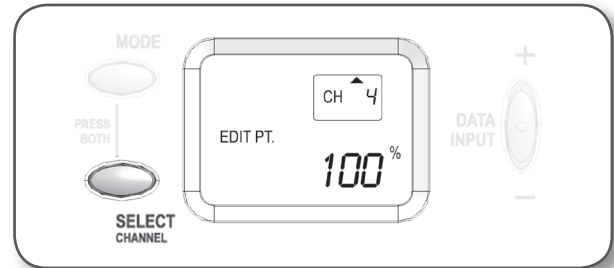
The number in the upper-right indicates which control channel (axis) you are currently viewing. The small arrow to the left of the number indicates which half of the axis you are modifying the end point for. The large number in the lower right indicates the current end point power value for that direction of the displayed channel.



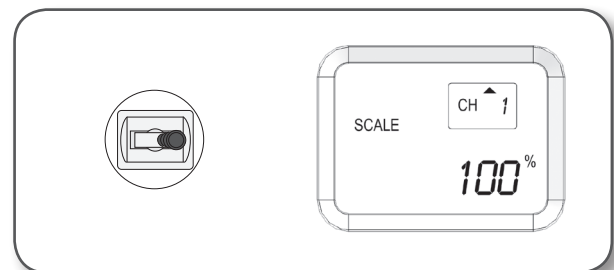
## Menus, continued

### Edit Points Menu, continued To Adjust An End Point, continued:

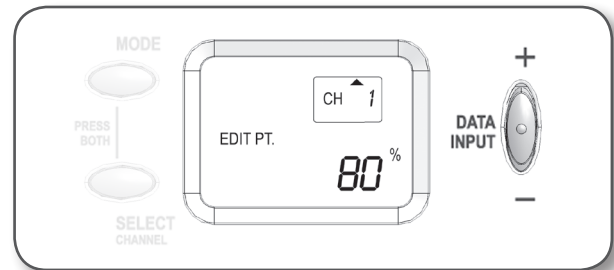
4a. Use the Select button to cycle through channels (axes).



4b. Every axis has two end points (one for each direction the stick can go from center along that axis). Push the stick toward the end point for the selected channel you want to adjust.



4c. Use + and – on the Data Input button to the right of the display screen to increase or decrease the end point (maximum power) for the displayed half of the axis. You cannot go below 70% or above 120% of the default amount. Consider revising your design or checking your components for possible malfunction if you need more adjustment than this range provides.



5. Your changes take effect immediately. You do not have to confirm your selection with an Enter command. You can turn on your robot and test your changes now to see if they improved your robot's performance.

## Menus, continued

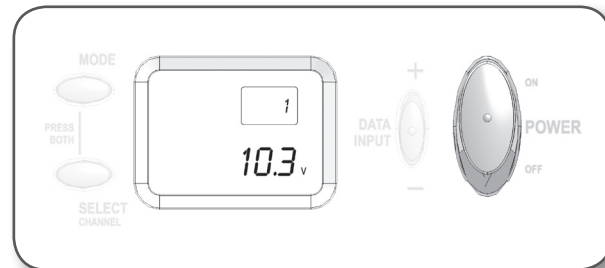
### Trim Menu

Generally, you will not need to visit the TRIM menu much, because you can center ('trim') the joysticks using the channel trim buttons located directly on the controller.

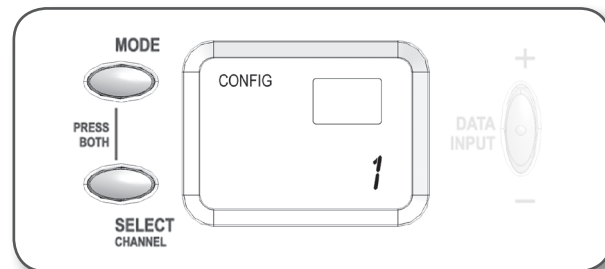
However, the trim buttons make adjustments in increments of 5 trim units, and sometimes you need to make finer changes. In those cases, you can use the TRIM menu to change the trim settings one point at a time.

### To Make Fine Adjustments To The Sticks:

1. Turn on the Transmitter by pushing the power switch to the ON position.

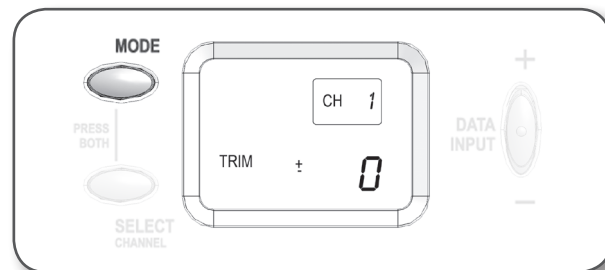


2. Enter the menu on the transmitter by holding down both the Mode and Select buttons next to the display until the menu opens.



3. Push the Mode button until TRIM appears on the left-hand side of the display.

The number in the upper-right indicates which control channel (axis) you are currently viewing. The large number in the lower right indicates the current amount of trim for the displayed channel.

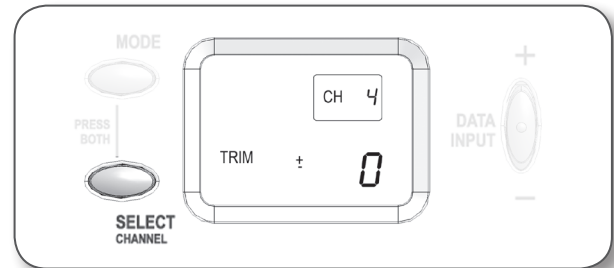


## Menus, continued

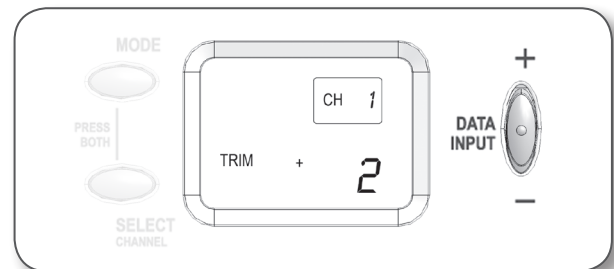
### Trim Menu, continued

#### To Make Fine Adjustments To The Sticks, continued:

4a. Use the Select button to cycle through channels (axes).



b. Use + and – on the Data Input button to the right of the display screen to make adjustments to the amount of trim being applied to that axis. This will allow you to adjust the “center” point on the stick until it matches with the actual stick. See also “Controller Trim” in the Radio Subsystem chapter.



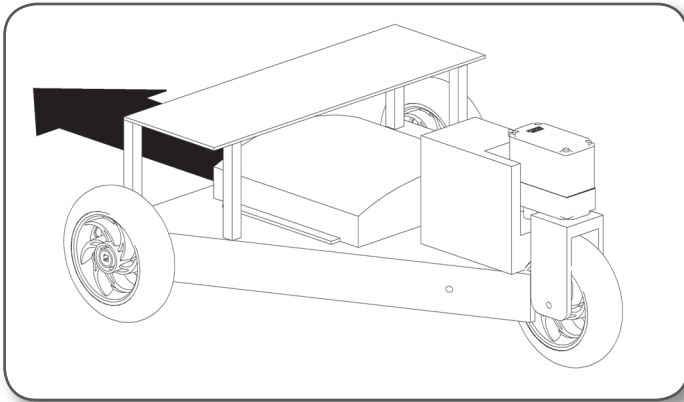
5. Your changes take effect immediately. You do not have to confirm your selection with an Enter command. You can turn on your robot and test your changes now to see if they have fixed the problem.

## Menus, continued

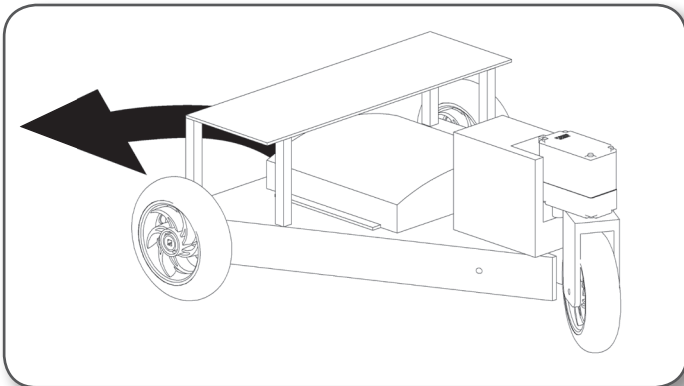
### Programmable Mix Menu

P.Mix is short for Programmable Control Mixer. This menu allows you to program one axis "mix" into your controls, so that moving a single joystick axis can control more than one output channel.

In a Programmed Mix, there are three components: the master channel, the slave channel, and the mixing rate. The relationship is simple: the slave channel gets a portion of the master channel's distance-from-center value added to it. The portion is the mixing rate.



You may want to do this, for instance, if you construct a three-wheeled robot with a steerable back wheel, and want to drive it using the arcade-style controls (see Basic Transmitter Operation in the Control Subsystem chapter). As you turn left or right, you want the rear wheel to assist in turning by turning to face slightly in the direction opposite the turn.



In order to do this, you need the servomotor controlling the direction of the rear wheel to turn in conjunction with the left or right turning commands on the joystick.

A Programmable Mix can do this:

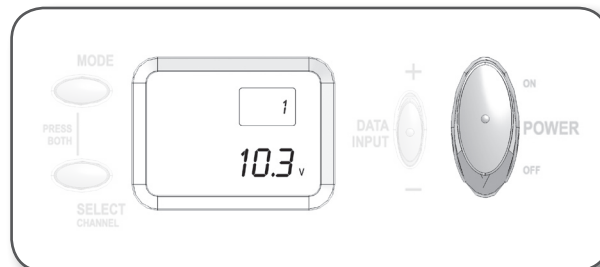
Master Ch.1, Slave Ch.3, Rate -80% = Pushing the stick left causes the two driving wheels to turn as they normally would for the amount you push, but the servomotor on channel 3 will turn to the right (because the direction is reversed by the - sign) as if you had pushed the channel 3 stick 80% of that distance, thus assisting the robot in its turn.



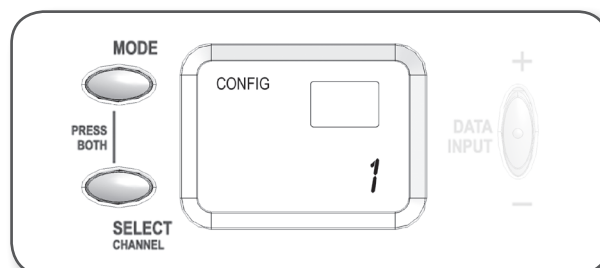
## Menus, continued

### Programmable Mix Menu, continued To Set Up The Programmable Mix:

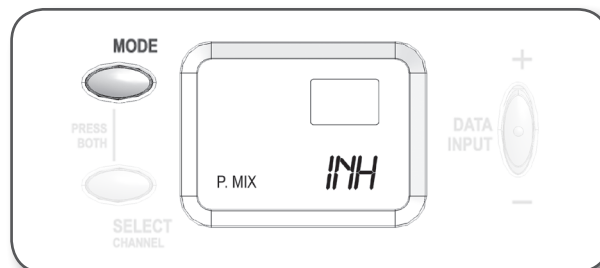
1. Turn on the Transmitter by pushing the power switch to the ON position.



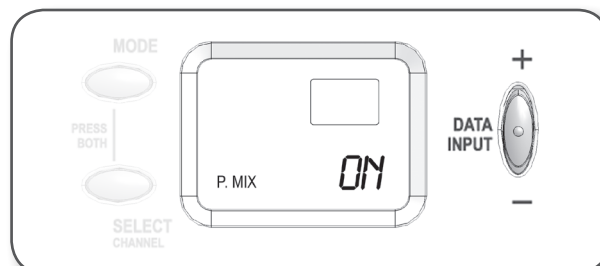
2. Enter the menu on the transmitter by holding down both the Mode and Select buttons next to the display until the menu opens.



3. Push the Mode button until P.MIX appears in the lower-left part of the display.



4. The Programmable Mixer mode will read "Inh" ("Inhibited") if it is disabled, or "on" if it is enabled. Press either + or - on the Data Input button to change it to "on" if it is not already on.



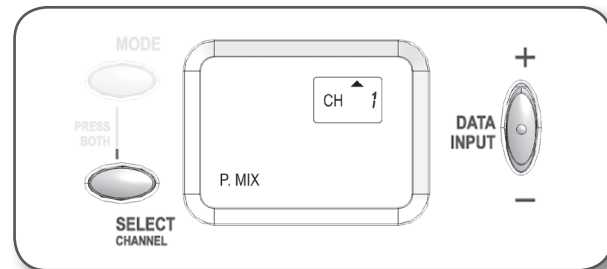
## Menus, continued

### Programmable Mix Menu, continued

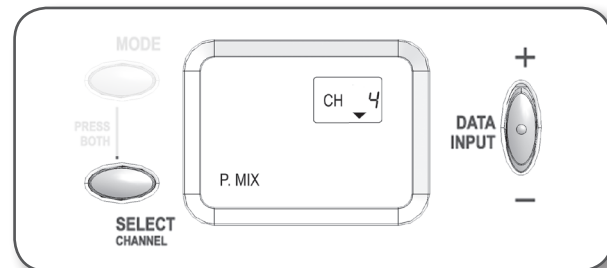
#### To Set Up The Programmable Mix, continued:

Select a Master Channel, a Slave Channel, and a Mix Rate. The arrow in the upper-right corner indicates which of the three you are setting. When the arrow faces upward, you are selecting a Master Channel. When the arrow points downward, you are selecting the Slave Channel. When there is no arrow, but a large number and % sign appear in the lower-right, you are selecting the Mix Rate.

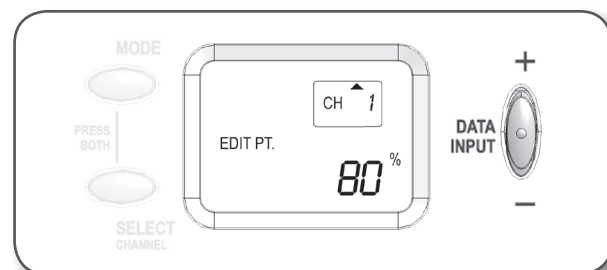
5a. Set the Master Channel by pressing Select until the upward arrow appears next to the channel number in the upper right part of the display. Change the Master Channel number by pressing the + or – on the Data Input button.



5b. Set the Slave Channel by pressing Select until the downward arrow appears next to the channel number (it should only take one press from the Master Channel screen). Change the Slave Channel number by pressing the + or – on the Data Input button.



5c. Set the Mix Rate by pressing Select until the large number and % sign appear in the lower right (two presses from the Slave Channel screen). Press or hold the + side of the Data Input button to increase the mix rate; press or hold the – side of the Data Input button to decrease the mix rate.



Numbers above 0 will make the slave channel move in the same direction as the master channel; numbers below 0 will make the slave channel move in the opposite direction.

6. Your changes take effect immediately. You do not have to confirm your selection with an Enter command. You can turn on your robot and test your changes now to see if the controls are working the way you want them to now.

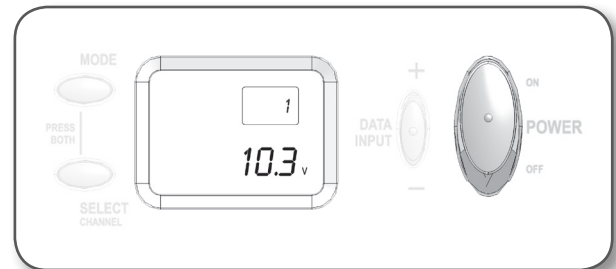
## Menus, continued

### Driving Mode Menu

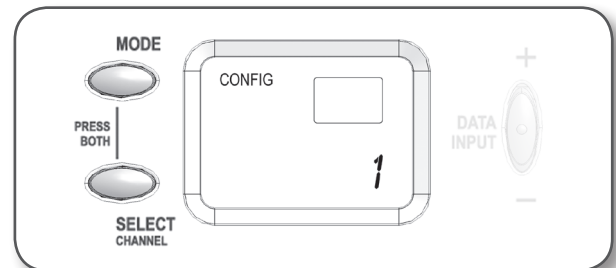
The DRIVE menu allows you to select your driving mode. By default, each axis of the Transmitter controls one motor port on the Micro Controller (this is called "23" mode, because the main motors are controlled by axes 2 and 3). You can change this to "12" driving mode where the right joystick (axes 1 and 2 = "12") controls both forward/reverse and turning motion.

#### To change driving control modes:

1. Turn on the Transmitter by pushing the power switch to the ON position.

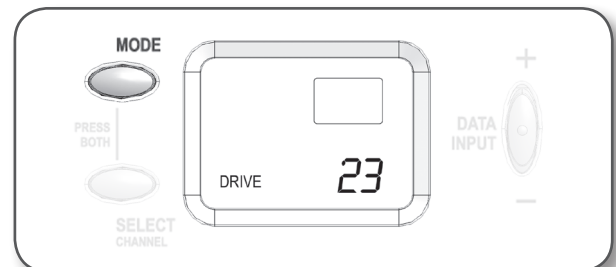


2. Enter the menu on the transmitter by holding down both the Mode and Select buttons next to the display until the menu opens.

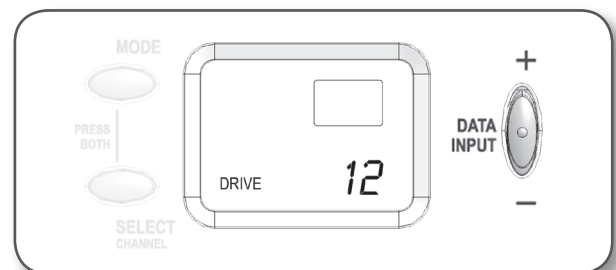


3. Enter DRIVE mode by pressing the Mode button until DRIVE is displayed on the left side (it's the last mode).

The current driving mode is displayed. This will be either "23" or "12".



4. Press the + or - on the data input button on the right side of the display to switch between these two modes. For more information on the difference between "23" and "12" modes, see Basic Controller Operation in the Control Subsystem chapter.



5. Your changes take effect immediately. You do not have to confirm your selection with an Enter command. You can turn on your robot and test your changes now to see if the controls are working the way you want them to now.

## Menus, continued

### Driving Mode Menu, continued

#### Additional Notes On Driving Modes:

“23 mode” is the equivalent of having every joystick axis send its signal directly to the motor on the same-numbered port on the Robot Controller. This is the mode you may want to stick with if you are controlling a design where control of individual motor ports is important.

“12 mode” is actually a “mix” mode, where the output commands sent to ports 1 and 2 do not represent the input from a single joystick axis. The actual equations used are:

Motor Port 1 = 50% of stick 1 + 50% of stick 2  
Motor Port 2 = 50% of stick 2 – 50% of stick 1

As you can see, this automatically allows you to go to the 100% motor power if you push the stick to the corners. However, it also means that the robot will only move at 50% of maximum motor power straight forward (stick axis 2 at max \* 50%, and no contribution from stick axis 1).

#### Extra Info About Mixes And The Drive 12 Mode:

Motor Port 1 = 50% of stick 1 + 50% of stick 2  
= 50% \* (stick 1 + 100% of stick 2)

Motor Port 2 = 50% of stick 2 – 50% of stick 1  
= 50% \* (stick 2 – 100% of stick 1)

You can think of this as a pair of “mixes”, as if you had set them in the P.Mix section (although P.Mix on the VEX Transmitter only allows one mix, so you could not quite duplicate this functionality through the P.Mix mode here). Channel 1 would have a -100% mix on Channel 2, and Channel 2 would have a +100% mix on Channel 1; both axes would then be scaled to 50% as if you had set that option in the SCALE menu.

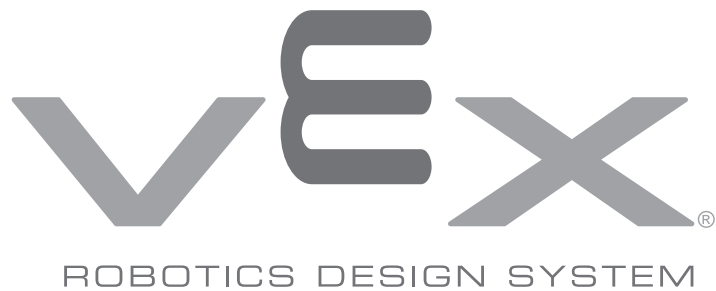
Tape Here



Place  
Stamp  
Here

Innovation First, Inc.  
1519 IH 30 W  
Greenville, TX 75402

-----  
This side out  
(Fold Here)



Think. Create. Build. Amaze. Vex.

Tape Here



VEX values the creativity and contributions of our inventors. Join the community of VEX inventors by filling out this registration card, or you can register online at: **www.VEXrobotics.com/register/**

Join the Online VEX Community at: **www.VEXforum.com**

Meet with other VEX inventors and ask questions of the engineers who design VEX components.

If you are under 18 your parent or guardian must sign this registration card approving the release of your personal information.

Parent's Name: \_\_\_\_\_

Signature: \_\_\_\_\_

My child is under 18 years of age and I agree to the release of the personal information requested on this registration card.

First Name: \_\_\_\_\_

Last Name: \_\_\_\_\_

Address: \_\_\_\_\_

City: \_\_\_\_\_

State/Province: \_\_\_\_\_ ZIP Code: \_\_\_\_\_

Country: \_\_\_\_\_

Comments/Suggestions: \_\_\_\_\_

\_\_\_\_\_  
 \_\_\_\_\_  
 \_\_\_\_\_  
 \_\_\_\_\_  
 \_\_\_\_\_  
 \_\_\_\_\_

© 2008. Innovation First. All rights reserved. VEX Robotics Design System and VEX are trademarks of:  
 Innovation First, Inc.  
 1519 IH 30 W  
 Greenville, TX 75402

## OPTIONAL

Please tell us more about the VEX inventor:

Birth Date: \_\_\_\_\_ (MM/DD/YYYY)

Gender:  Male  Female

What kind of inventor are you?

Student  Educator  Hobbyist

What level of education has inventor completed?

6th Grade  8th Grade  12th Grade  
 2 Year Degree  4 Year Degree  Post Graduate  
 Vocational/Technical Degree (describe) \_\_\_\_\_

The VEX Robotics Design System was . . .

purchased by the inventor  
 purchased as gift for the inventor  
 provided by school/organizational curriculum/activity

How many video and PC based games did inventor purchase/receive last year?

none  1 - 5  6 - 10  
 11 - 15  16 or more

How did the inventor learn about the VEX Robotics Design System?

classroom or school activity  
 robotics club, competition, or activity  
 newspaper or magazine article or print ad  
 radio news story, talk show, or commercial  
 television news story, talk show, or commercial  
 online ad  
 display in a store

What programming skills/experience does the inventor have?

none  Java  BASIC  
 Visual BASIC  C, C++ or Visual C  Stamp  
 HTML  other \_\_\_\_\_

In what types of media are the inventor interested?

magazines  newspaper  books  
 music videos/MTV  radio  television  
 internet  computer  other \_\_\_\_\_

List the inventor's other interests and activities.

\_\_\_\_\_  
 \_\_\_\_\_  
 \_\_\_\_\_  
 \_\_\_\_\_  
 \_\_\_\_\_  
 \_\_\_\_\_  
 \_\_\_\_\_  
 \_\_\_\_\_